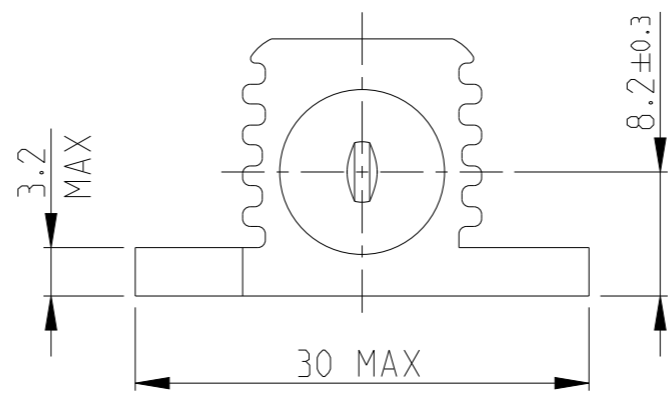
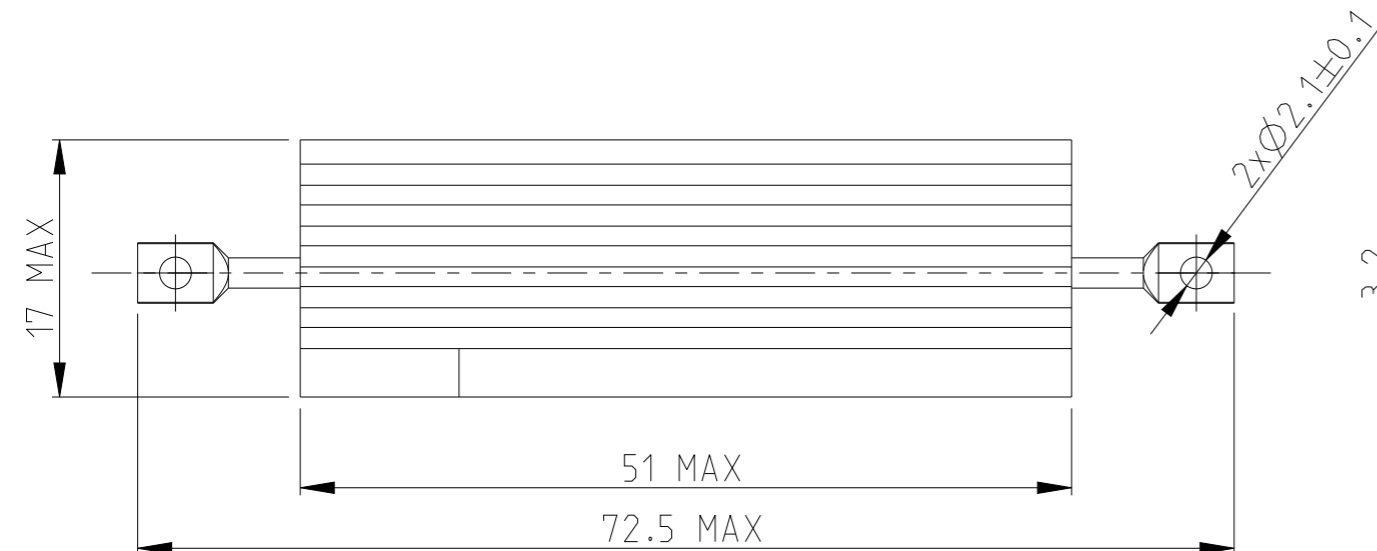
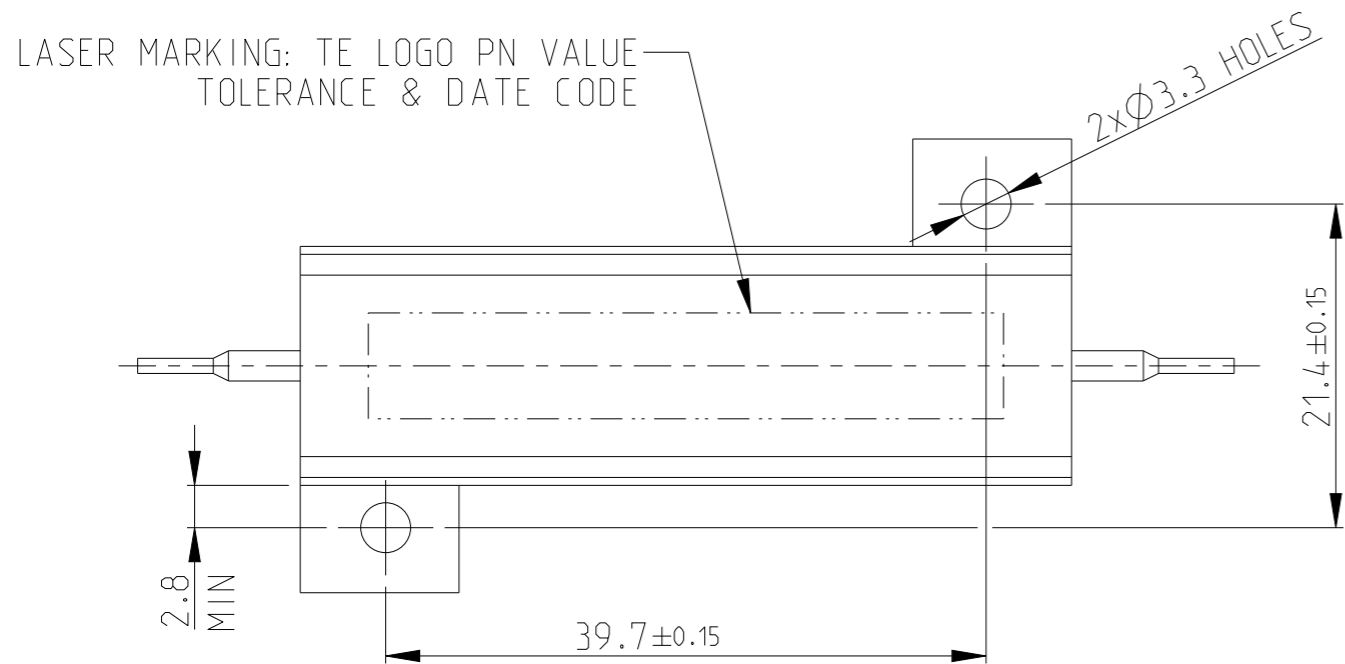


P	LTR	DESCRIPTION	DATE	DWN	APVD
B1		Released as per ECR-08-022292	4-Sep-08	SP	JC
AN		ECR-16-003733	12MAR2016	KR	TN
AN1		CLARIFICATION OF SOLDER TAG HOLE DIMENSION	10MAY2022	AJ	AP
AN2		NEW PN 6-1630186-6 ADDED	23JUN2023	DM	AP



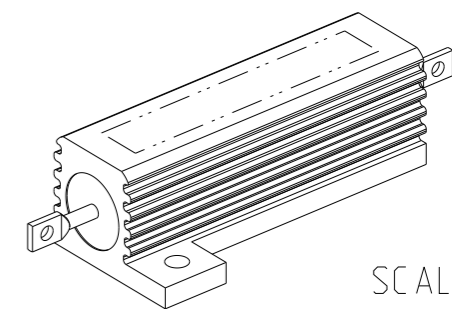
1 FOR FURTHER INFORMATION SEE DATA SHEET FOR HS SERIES-ALUMINIUM HOUSED RESISTORS

2 FOR A SPECIFIC PN FOR A RESISTANCE VALUE AND TOLERANCE, PLEASE REFER TO DMF

3 TECHNICAL SPECIFICATION

DISSIPATION AT 25°C : 50 WATTS MOUNTED ON STANDARD HEATSINK  
 BS OHMIC RANGE : R051 TO 72K  
 STABILITY : ΔR < =1% PER 1000Hrs  
 ISOLATION VOLTAGE : 2500V DC/AC pk  
 MAX WORKING VOLTAGE : 1250V DC/AC rms  
 TEMP COEFFICIENT : > 1R0 50ppm  
 > 100R 25ppm  
 CLIMATIC CATEGORY : 55/200/56

RoHS Compliant



THIS DRAWING IS A CONTROLLED DOCUMENT.

DWN 29.SEP.05  
DAVE KENNEDY

CHK 30.SEP.05  
J CATCHPOLE

APVD 30.SEP.05  
J CATCHPOLE

PRODUCT SPEC

APPLICATION SPEC

WEIGHT -

CUSTOMER DRAWING

NAME HSA50 WIDE BORE

SIZE A3 CAGE CODE 00779 DRAWING NO C=1630186 RESTRICTED TO -

SCALE 2:1 SHEET 1 OF 1 REX AN2

DIMENSIONS:	TOLERANCES UNLESS OTHERWISE SPECIFIED:
mm	
	0 PLC ±0.5
	1 PLC ±0.2
	2 PLC ±0.1
	3 PLC ±
	4 PLC ±
ANGLES	± 5°
MATERIAL	FINISH
-	-
-	-

