

LOC
E

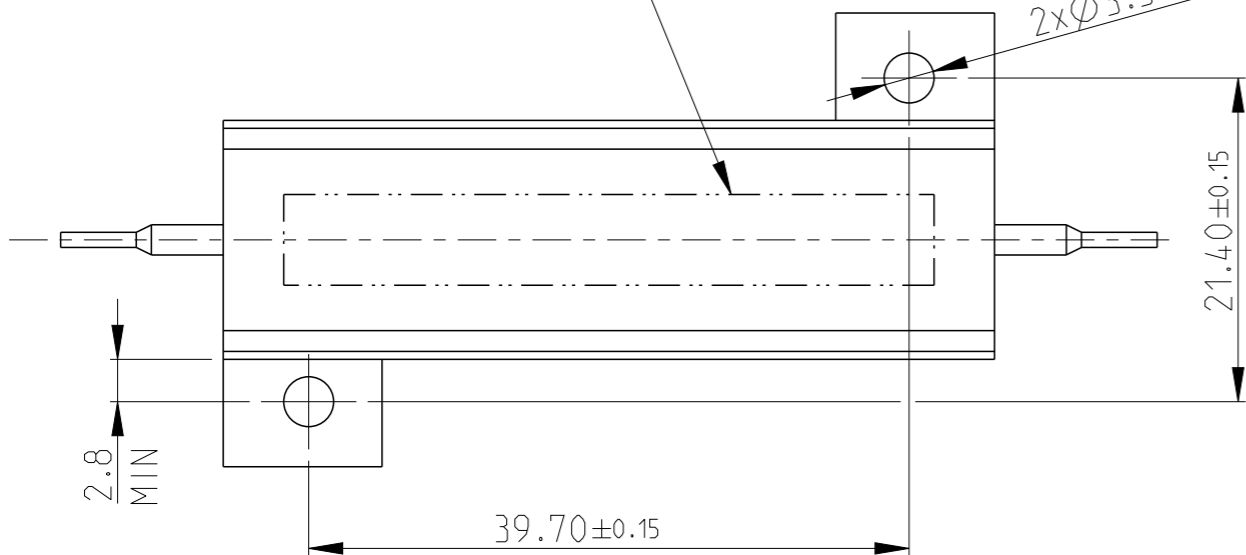
DIST
B

REVISIONS

| P | LTR | DESCRIPTION | DATE | DWN | APVD |
|----|-----|---------------------------|-----------|-----|------|
| B2 | | REVISED PER ECO-11-005150 | 29MAR2011 | RK | HMR |
| L | | ECR-16-003725 | 12MAR2016 | KR | TN |

LASER MARKING: TE LOGO PN VALUE
TOLERANCE & DATE CODE

2x $\varnothing 3.3 \pm 0.2$ HOLES



- 1 FOR FURTHER INFORMATION SEE DATA SHEET FOR HS SERIES-ALUMINIUM HOUSED RESISTORS
- 2 FOR A SPECIFIC PN FOR A RESISTANCE VALUE AND TOLERANCE, PLEASE REFER TO DMF
- 3 TECHNICAL SPECIFICATION

DISSIPATION AT 25°C : 50 WATTS MOUNTED
ON STANDARD HEATSINK

BS OHMIC RANGE : R051 TO 72K

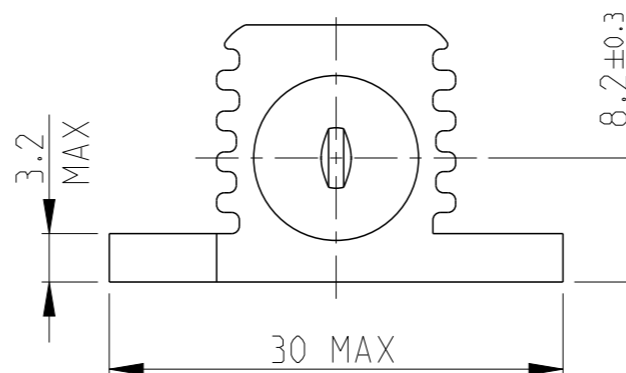
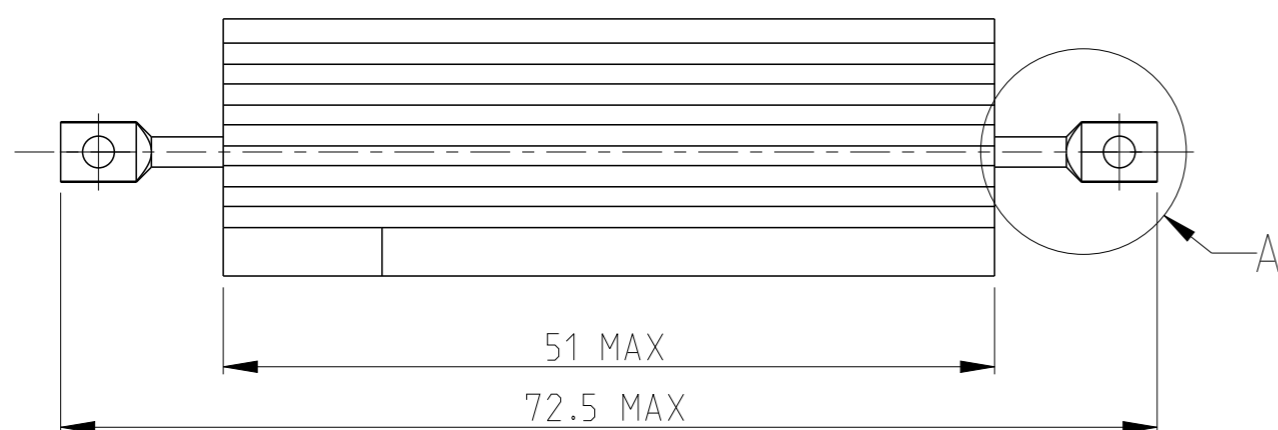
STABILITY : $\Delta R < = 1\%$ PER 1000Hrs

ISOLATION VOLTAGE : 2500V DC/AC pk

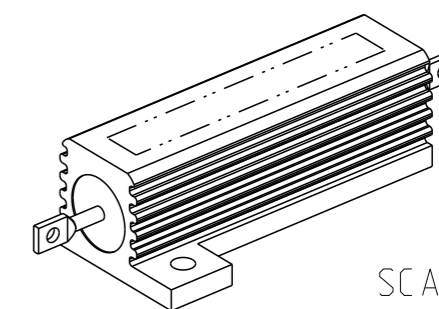
MAX WORKING VOLTAGE : 1250V DC/AC rms

TEMP COEFFICIENT : > 1R0 50ppm
> 100R 25ppm

CLIMATIC CATEGORY : 55/200/56

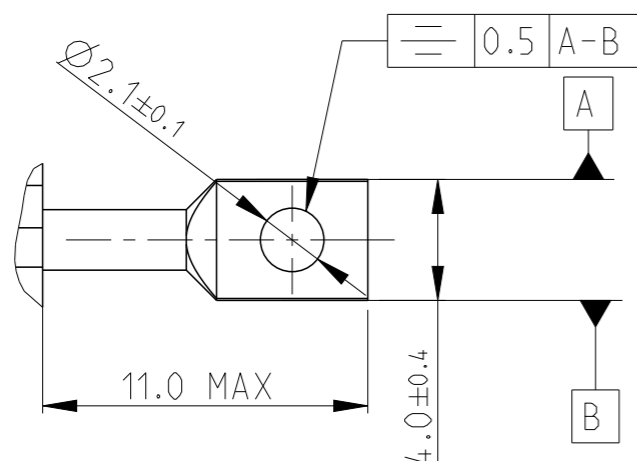


RoHS Compliant



SCALE 1:1

DETAIL A
SCALE 4:1



THIS DRAWING IS A CONTROLLED DOCUMENT.

DWN 22.SEP.05
DAVE KENNEDY

CHK 23.SEP.05
J CATCHPOLE

APVD 23.SEP.05
J CATCHPOLE

PRODUCT SPEC

APPLICATION SPEC

WEIGHT

CUSTOMER DRAWING

DIMENSIONS:
mm

TOLERANCES UNLESS
OTHERWISE SPECIFIED:



| | |
|--------|---------------|
| 0 PLC | ± 0.5 |
| 1 PLC | ± 0.2 |
| 2 PLC | ± 0.1 |
| 3 PLC | \pm |
| 4 PLC | \pm |
| ANGLES | $\pm 5^\circ$ |
| FINISH | - |

MATERIAL

-



TE Connectivity

NAME

HSA50 WIDE BORE

SIZE

A3

CAGE CODE

00779

DRAWING NO

C=1625984

RESTRICTED TO

-

SCALE 3:1

SHEET 1 OF 1

REV L