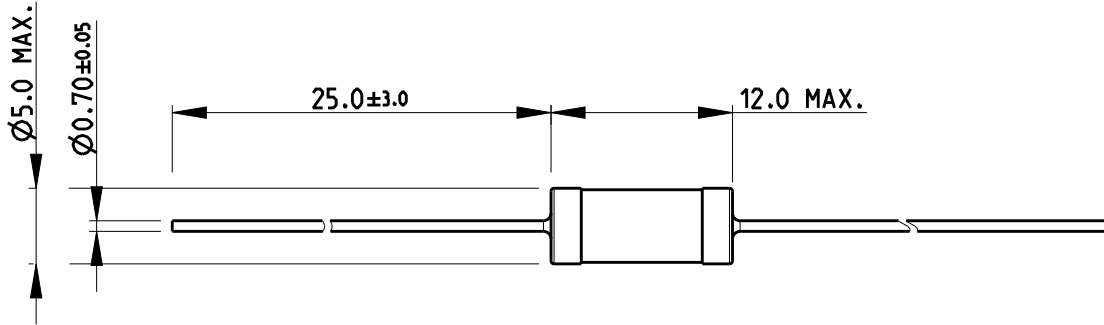
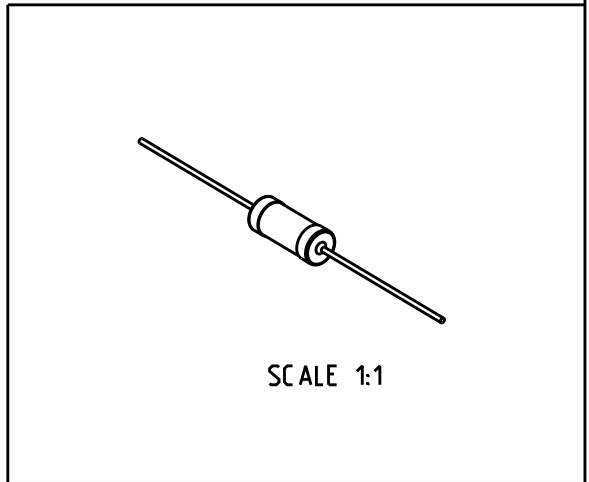


LOC	DIST	REVISIONS					
E	B	P	LTR	DESCRIPTION	DATE	DWN	APVD
			BA1	REVISED PER ECO-11-005150	29MAR2011	RK	HMR
			BA2	REVISED PER ECR-18-018100	19NOV2018	SR	AP

FOR FURTHER INFORMATION SEE DATA SHEET FOR CFR SERIES-CARBON FILM FIXED RESISTORS



RoHS Compliant



2008

RELEASED FOR PUBLICATION

ALL RIGHTS RESERVED.

THIS DRAWING IS UNPUBLISHED.

BY -

© COPYRIGHT 2008

DIMENSIONS: mm  TOLERANCES UNLESS OTHERWISE SPECIFIED: 0 PLC ± 0.2 1 PLC ± 0.1 2 PLC ± - 3 PLC ± - 4 PLC ± - ANGLES ± 5°	DWN SUBHASH.M 19-Sep-08 CHK PRAKASH.S 19-Sep-08 APVD STEPHEN.P 19-Sep-08	MATERIAL -	FINISH -
	PRODUCT SPEC - APPLICATION SPEC - WEIGHT -	NAME <b>TE</b> TE Connectivity CARBON FILM FIXED RESISTORS SERIES CFR100	
	SIZE A4 CAGE CODE 00779 DRAWING NO C-1623925	SCALE 2:1 SHEET 1 OF 1 REV BA2	
CUSTOMER DRAWING			