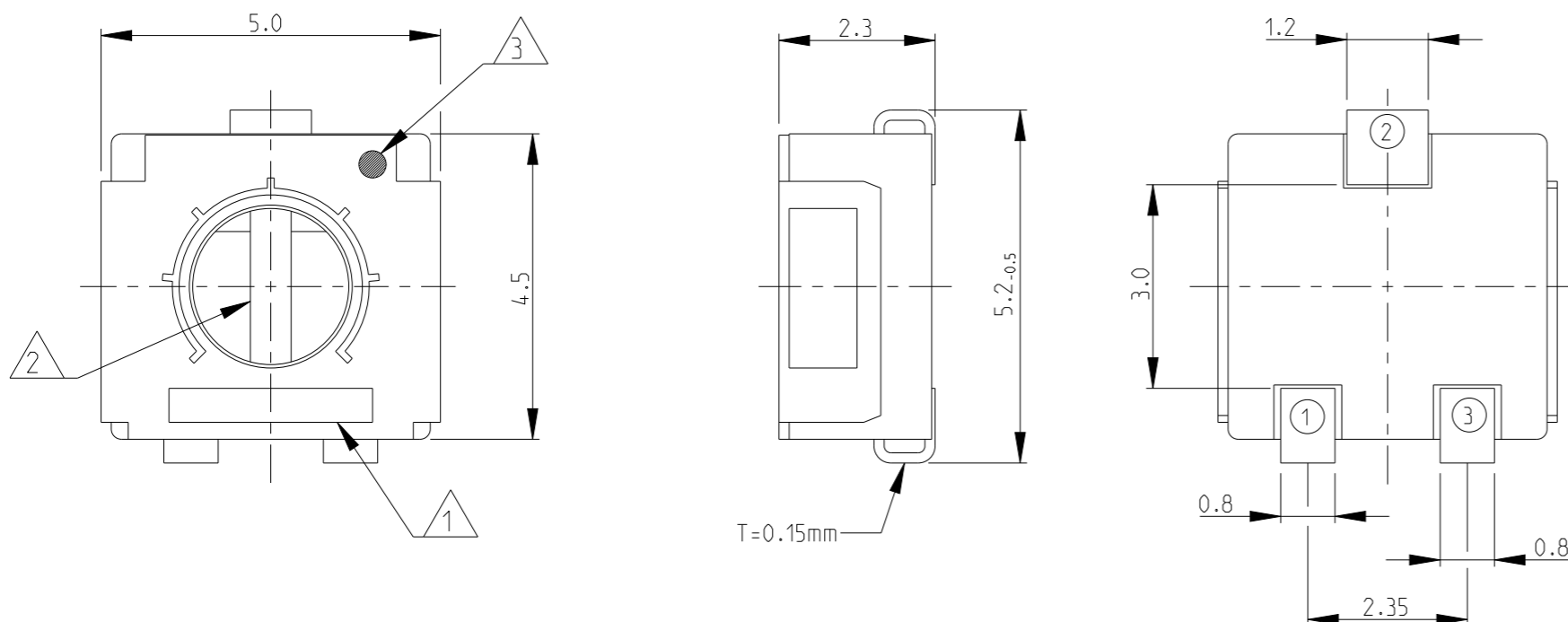
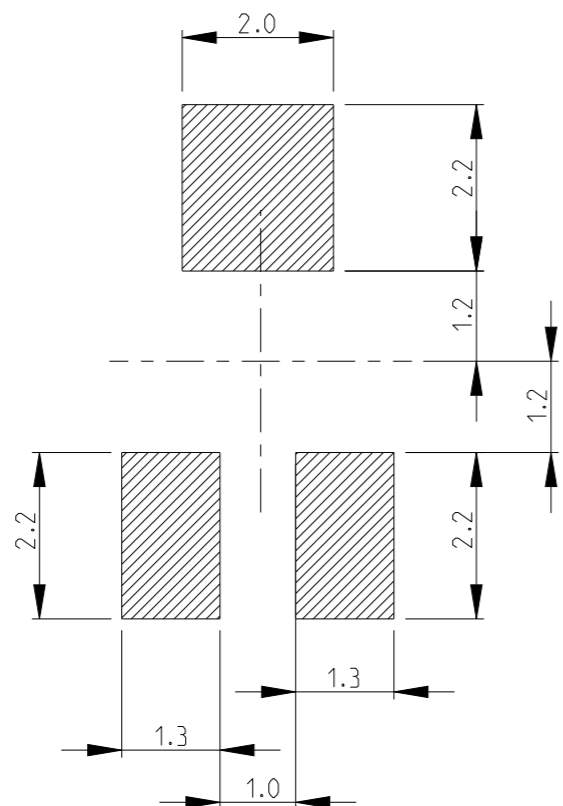


P	LTR	DESCRIPTION	DATE	DWN	APVD
	BA	NEW RELEASE	13NOV2008	SM	St.P
	BA1	OBSOLETE	28MAR2022	SP	AP
	BA2	RELEASED	07APR2022	DM	AP

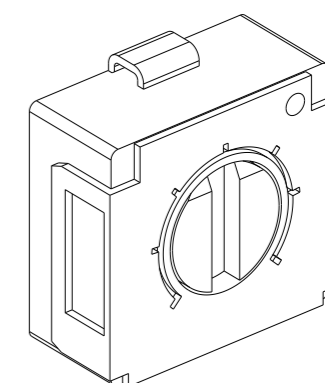
- ① DATE/RESISTANCE CODE
- ② DRIVER SLOT, WIDTH- 0.6mm, LENGTH- 2.3mm, DEPTH- 0.5mm
- ③ LEAD-FREE IDENTIFICATION MARK
- 4 FOR FURTHER INFORMATION SEE DATA SHEET FOR 3204 SERIES-SMD TRIMMERS



RECOMMENDED LAND PATTERN



RoHS Compliant



SCALE 8:1

THIS DRAWING IS A CONTROLLED DOCUMENT.		DWN	SUBHASH.M		13NOV2008
DIMENSIONS:		CHK	PRAKASH.S		13NOV2008
mm		APVD	STEPHEN.P		13NOV2008
TOLERANCES UNLESS OTHERWISE SPECIFIED:		PRODUCT SPEC	NAME		
0 PLC	±0.2	-	SMD ECONOMY TRIMMERS		
1 PLC	±0.1	-	SERIES 3204		
2 PLC	±	APPLICATION SPEC	SIZE	CAGE CODE	DRAWING NO
3 PLC	±	-	A3	00779	C=1623909
4 PLC	±	WEIGHT	RESTRICTED TO		
ANGLES	±5°	0.11g	-		
MATERIAL	FINISH	CUSTOMER DRAWING	SCALE	SHEET	REV
-	-		10:1	1 OF 1	BA2

