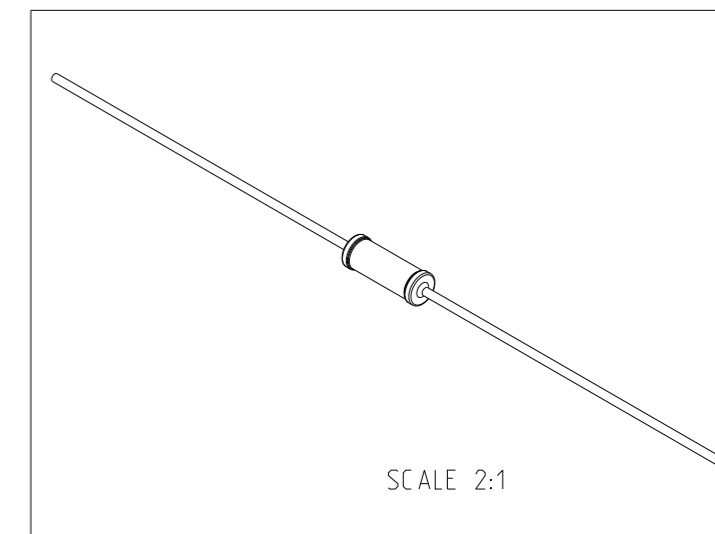
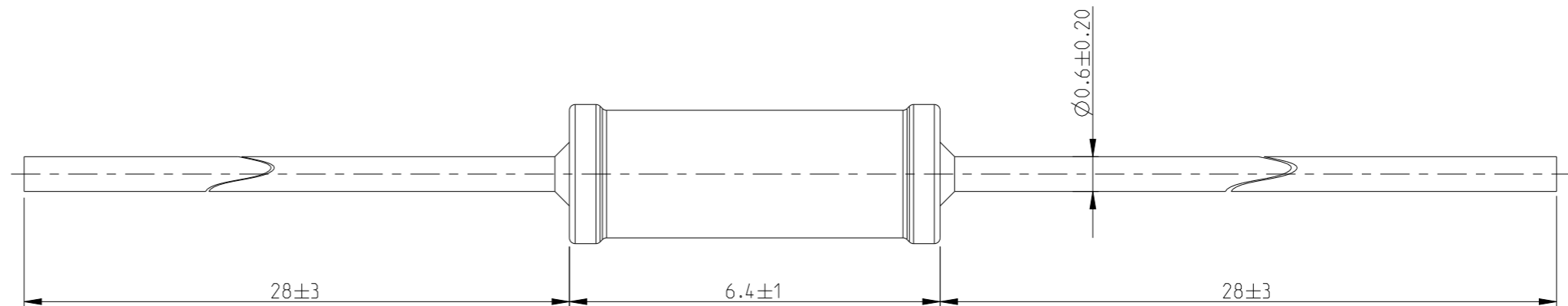
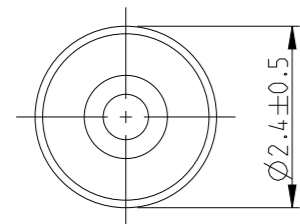


REVISIONS

P	LTR	DESCRIPTION	DATE	DWN	APVD
	BA1	REVISED PER ECO-11-005150	29MAR2011	RK	HMR
	BB	DRAWING UPDATE DIMENSION, ADD SCHEDULE	26JUL2023	DM	AP

FOR FURTHER INFORMATION SEE DATA SHEET FOR SERIES RGP- METAL GLAZE FIXED RESISTORS


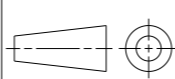


THIS DRAWING IS A CONTROLLED DOCUMENT.		DWN SUBHASH.M 22-DEC-08				
DIMENSIONS: mm		CHK PRAKASH.S 22-DEC-08				
		APVD STEPHEN.P 22-DEC-08				
TOLERANCES UNLESS OTHERWISE SPECIFIED:		PRODUCT SPEC	NAME METAL GLAZE FIXED RESISTORS- TYPE RGP0207CH SERIES			
0 PLC $\pm 0.2$		APPLICATION SPEC	SIZE	CAGE CODE	DRAWING NO	RESTRICTED TO
1 PLC $\pm 0.1$			A3	00779	C=1623708	-
2 PLC $\pm$		WEIGHT	CUSTOMER DRAWING			
3 PLC $\pm$			SCALE	SHEET	OF	REV
4 PLC $\pm$			10:1	1	2	BB
ANGLES $\pm 5^\circ$						
FINISH						
-						
-						

REVISIONS

Schedule			
TCPN	Catalogue Number	Part Description	Part Status
1623708-1	RGP0207CHJ100M	RGP0207CH 5% 100M	Production
1623708-2	RGP0207CHJ10M	RGP0207CH 5% 10M	Production
1623708-3	RGP0207CHJ15M	RGP0207CH 5% 15M	Production
1623708-4	1623708-4	RGP0207CH 5% 1M5	Discontinued
1623708-5	RGP0207CHJ22M	RGP0207CH 5% 22M	Production
1623708-6	RGP0207CHJ33M	RGP0207CH 5% 33M	Production
1623708-7	RGP0207CHJ470M	RGP0207CH 5% 470M 5K PK	Production
1623708-8	RGP0207CHJ47M	RGP0207CH 5% 47M	Production
1623708-9	1623708-9	RGP0207CH 5% 4M7	Discontinued
1-1623708-0	RGP0207CHJ68M	RGP0207CH 5% 68M	Production
1-1623708-1	RGP0207CHJ82M	RGP0207CH 5% 82M	Production
1-1623708-2	RGP0207CHK1G0	RGP0207CH 10% 1G0	Production
1-1623708-3	1-1623708-3	RGP0207CH 5% 3M3	Discontinued
1-1623708-4	1-1623708-4	RGP0207CH 5% 2M2	Discontinued
1-1623708-5	1-1623708-5	RGP0207CH 5% 56M	Discontinued
1-1623708-6	1-1623708-6	RGP0207CH 5% 300M	Discontinued
1-1623708-7	1-1623708-7	RGP0207CH 5% 510M	Discontinued
1-1623708-8	1-1623708-8	RGP0207CH 5% 390K	Discontinued
1-1623708-9	1-1623708-9	RGP0207CH 5% 470K	Discontinued
2-1623708-0	RGP0207CHJ430M	RGP0207CH 5% 430M 5K PK	Discontinued
2-1623708-1	RGP0207CHJ27M	RGP0207CH 5% 27M	Production
2-1623708-2	RGP0207CHJ120M	RGP0207CH 5% 120M	Discontinued
2-1623708-3	RGP0207CHJ130M	RGP0207CH 5% 130M	Production
2-1623708-4	RGP0207CHJ39M	RGP0207CH 5% 39M	Discontinued
2-1623708-5	RGP0207CHJ150M	RGP0207CH 5% 150M	Production

P	LTR	DESCRIPTION	DATE	DWN	APVD
	-	SEE SHEET 1	-	-	-

THIS DRAWING IS A CONTROLLED DOCUMENT.		DWN SUBHASH.M 22-DEC-08	 TE Connectivity NAME METAL GLAZE FIXED RESISTORS- TYPE RGP0207CH SERIES			
DIMENSIONS: mm		CHK PRAKASH.S 22-DEC-08				
		APVD STEPHEN.P 22-DEC-08				
TOLERANCES UNLESS OTHERWISE SPECIFIED:		PRODUCT SPEC	RESTRICTED TO			
0 PLC ±0.2		APPLICATION SPEC	SIZE	CAGE CODE	DRAWING NO	RESTRICTED TO
1 PLC ±0.1			A3	00779	©=1623708	-
2 PLC ±-		WEIGHT	-			
3 PLC ±-		CUSTOMER DRAWING				
4 PLC ±-		SCALE		SHEET	REV	
ANGLES ±5°		10:1		2 OF 2	BB	
FINISH		-				