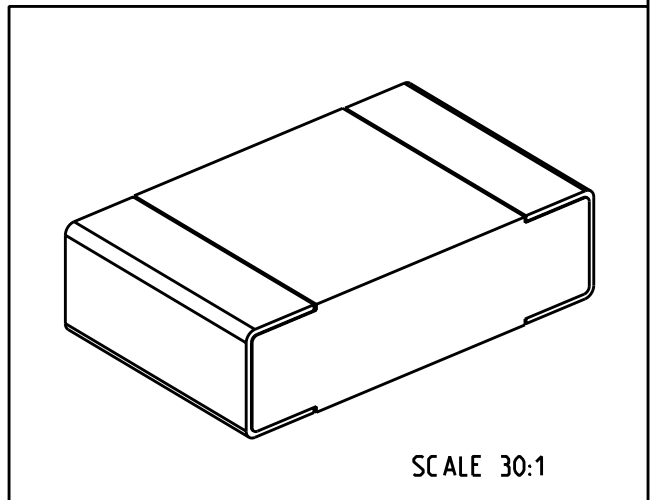
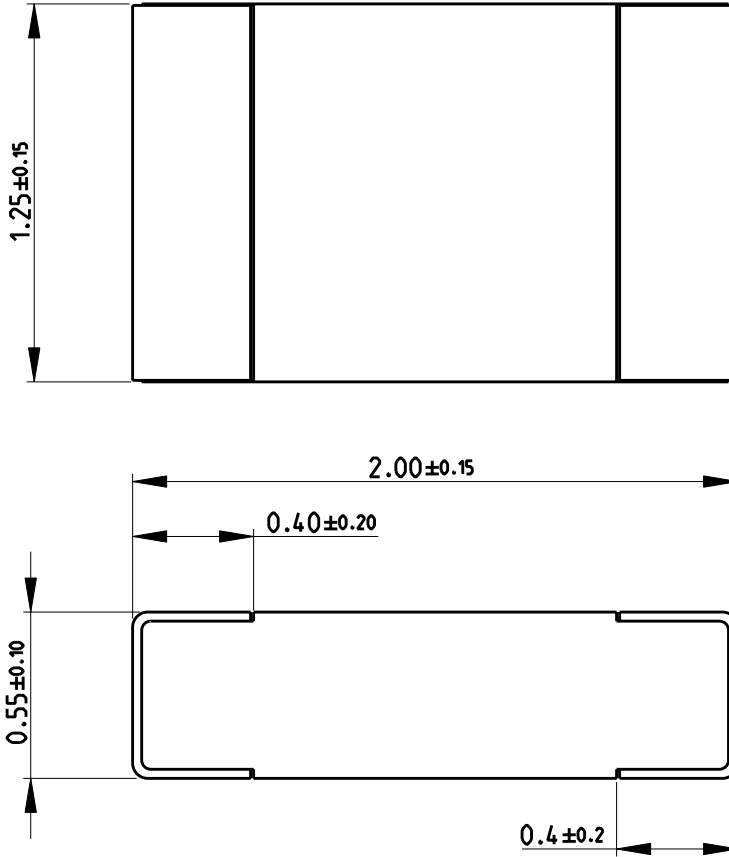


LOC	DIST	REVISIONS					
E	B	P	LTR	DESCRIPTION	DATE	DWN	APVD
			BA	NEW RELEASE	08-JAN-09	SM	St.P

FOR FURTHER INFORMATION SEE DATA SHEET FOR
CRG SERIES-THICK FILM CHIP RESISTORS



SCALE 30:1

RoHS Compliant

2009

RELEASED FOR PUBLICATION

THIS DRAWING IS UNPUBLISHED.

BY TYCO ELECTRONICS CORPORATION. ALL RIGHTS RESERVED.

© COPYRIGHT 2009

DIMENSIONS:		DWN	08-JAN-09	MATERIAL	-	FINISH	-
mm		SUBHASH.M		Tyco Electronics Corporation Dorcan, Swindon, SN3 5HH			
TOLERANCES UNLESS OTHERWISE SPECIFIED:		CHK	08-JAN-09				
0 PLC ±0.5		PRAKASH.S					
1 PLC ±0.2		APVD	08-JAN-09	NAME THICK FILM CHIP RESISTORS SERIES CRG 0805			
2 PLC ±0.1		STEPHEN.P					
3 PLC ±-		PRODUCT SPEC	-	SIZE	CAGE CODE	DRAWING NO	RESTRICTED TO
4 PLC ±-		APPLICATION SPEC	-	A 4	00779	C- 1623208	-
ANGLES ±5°		WEIGHT	-	CUSTOMER DRAWING			
				SCALE	40:1	SHEET	1 OF 1
						REV	BA