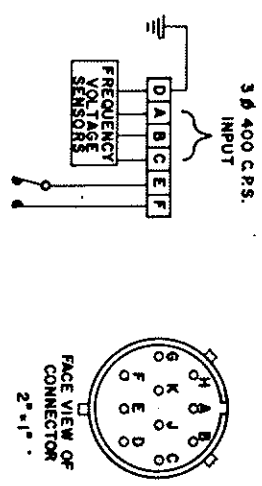
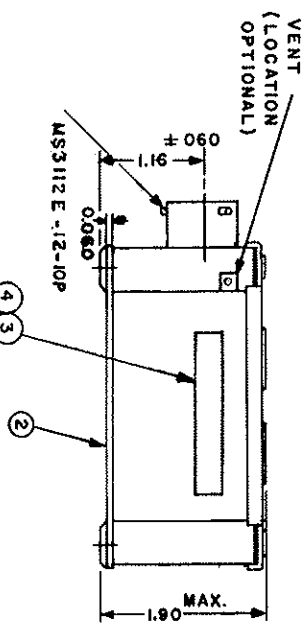
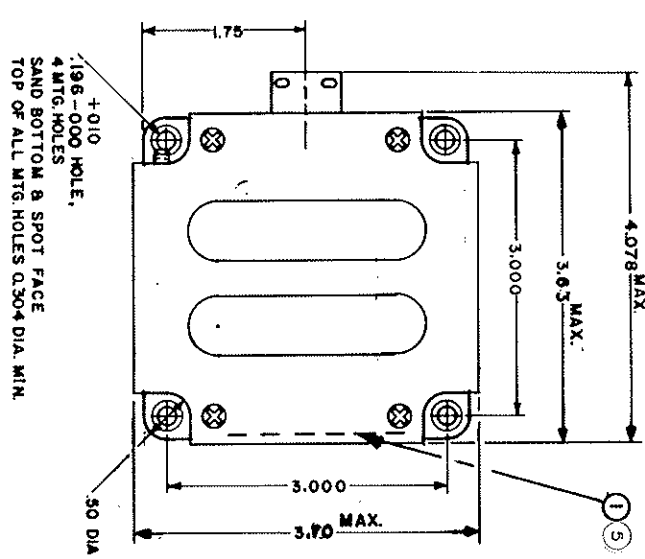


FAA / PMA

B-188MA-1

REV. #	DESCRIPTION	DATE	APPROVED
6	CONNECTOR WAS PTOZE-12-10P	3-18-98	[Signature]
5	NOTE UPDATED	12-11-97	[Signature]
4	ADDED ITEMS 3 & 4		
3	ITEM 5 ADDED	00-03-07	[Signature]



1. CONSTRUCT: ALUMINUM CASE, GASKET SEALED, VENTED
2. NOMINAL INPUT VOLTS: 115 V L-N, 400 CPS, 3 Ø 4 WIRE
- 2.2 NO DAMAGE RESULTS WITH INPUT CONDITIONS PER MIL-E-24021A (WEP) PAR. 3.2.1
- 2.3 DIELECTRIC STRENGTH: LEAKAGE CURRENT WILL NOT EXCEED 0.001 AMPS WHEN UNIT IS SUBJECTED TO TEST OF PAR. 4.6.2 OF MIL-E-24021A
3. ENVIRONMENT:
 - 3.1 TEMPERATURE: -54°C TO +71°C OPERATING
 - 3.2 ACCELERATION: 9g DC-FREQUENZIZED
 - 3.3 ALTITUDE: 0-40,000 FEET
 - 3.4 SHOCK: 10G 30 ± 1 %S
 - 3.5 VIBRATION: 5-15.5 CPS ± 0.15g, 15.5-54 CPS 0.01 INCH DA 54-500 CPS ± 1.5g
 - 3.6 NOISE: DASP, 115 db
 - 3.7 ATTITUDE: UNIT IS OPERATIONAL IN ANY ATTITUDE
- 4.0 OPERATION: CONTACTS WILL REMAIN AS SHOWN (OFF CONDITION) UNTIL INPUT POWER IS ANYWHERE WITHIN THE "ON" ZONE. CONTACTS WILL REVERT TO OFF CONDITION WHENEVER INPUT VOLTAGE AND/OR FREQUENCY IS ABOVE THE HIGH SIDE OR BELOW THE LOW SIDE "OFF" LIMITS FOR TIME INTERVALS EXCEEDING THE TRANSIENT PERIOD

- 5.0 LIMITS
 - 5.1 "ON" ZONE
 - 5.1.1 "ON" ZONE VOLTAGE LIMITS 100 TO 120 VOLTS RMS ALL PHASES
 - 5.1.2 "ON" ZONE FREQUENCY LIMITS 380 TO 420 CPS
 - 5.2 "OFF" LIMITS
 - 5.2.1.1 HIGH SIDE VOLTAGE "OFF" LIMITS 131 ± 5 VOLTS 3 Ø (HIGHEST OF 3 Ø)
 - 5.2.1.2 HIGH SIDE FREQUENCY "OFF" LIMITS 425 ± 5 CPS
 - 5.2.2.4 LOW SIDE FREQUENCY "OFF" LIMITS 375 ± 5 CPS
 - 5.2.3 VOLTAGE TRANSIENT LIMITS
 - 5.2.3.1 HIGH SIDE - ABOVE LIMIT 2 BUT BELOW LIMIT 1 OF FIG. 2 MIL-STD-704, 3Ø (HIGHEST OF 3 Ø)
 - 5.2.3.2 LOW SIDE - BELOW LIMIT 3 FIG. 2 MIL-STD-704
 - 5.2.4 OVER AND UNDER FREQUENCY TIME DELAY 3 ± 1 SEC
 - 6.0 OUTPUT RATING SPST 3 AMP IND. 28 V DC/115 V 400 CPS
 - 7.0 WEIGHT 12 OZ MAX
 - 8.0 ADDITIONAL REQUIREMENTS
 - 8.1 UNIT IS DUST TIGHT
 - 8.2 FIRE: MATERIALS DO NOT SUPPORT COMBUSTION, ARE SELF EXTINGUISHING AND FREE OF AFTER GLOW
 - 8.3 SMOKE: UNIT WILL NOT PRODUCE ANAESTHETIC OR TOXIC FUMES OR SMOKE UNDER NORMAL OPERATION OR FAILURE
 - 8.4 ELECTROMAGNETIC INTERFERENCE: MEETS REQUIREMENTS OF DAC 7914697
 - 8.5 BONDING: MEETS REQUIREMENTS OF DAC 7916997
 - 9.0 THIS UNIT MEETS THE REQUIREMENTS OF MIL-E-24021A EXCEPT AS MODIFIED HEREON

QTY	RECD	DESCRIPTION	PART OR IDENTIFYING NO	ITEM NO
1		OVERLAY	39529-038	5
1		PLATE - FAA/PMA	39529-024	4
1		RELAY ASSEMBLY - PRIMARY	58400-097	3
1		PLATE - NAME PER DAC 7912000 TYPE I	23492-D10	2
1		NOMENCLATURE OR DESCRIPTION	23211-D01	1

DATE: 27-6-98 BY: DEH
 DESIGNED FOR: HARTMAN ELECTRICAL MANUFACTURING
 TOLERANCES UNLESS OTHERWISE SPECIFIED: .00 ± .03 .000 ± .010
 MATERIAL: MONITOR - EXTERNAL POWER

APPROVED: [Signature] DATE: 7-4-98
 APPROVED: [Signature] DATE: 7-4-98
 CODE IDENT NO: 74063
 SCALE: 1"=1" WEIGHT: C SHEET: B-188MA-1