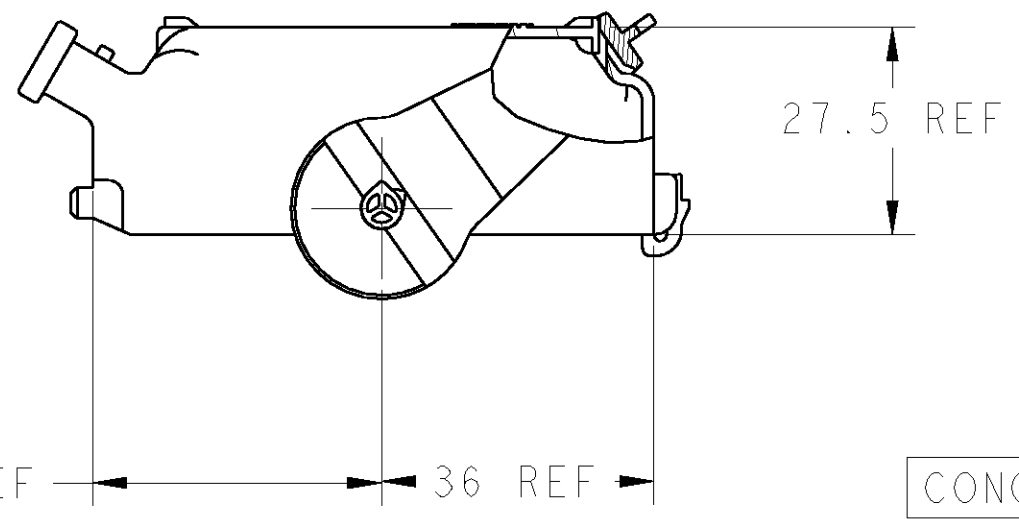
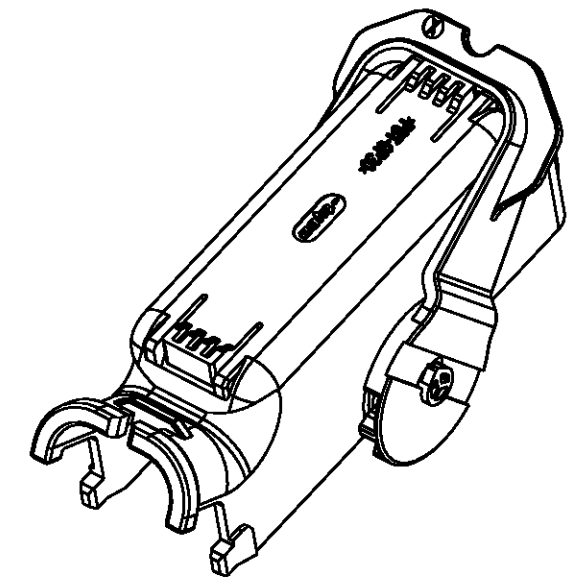
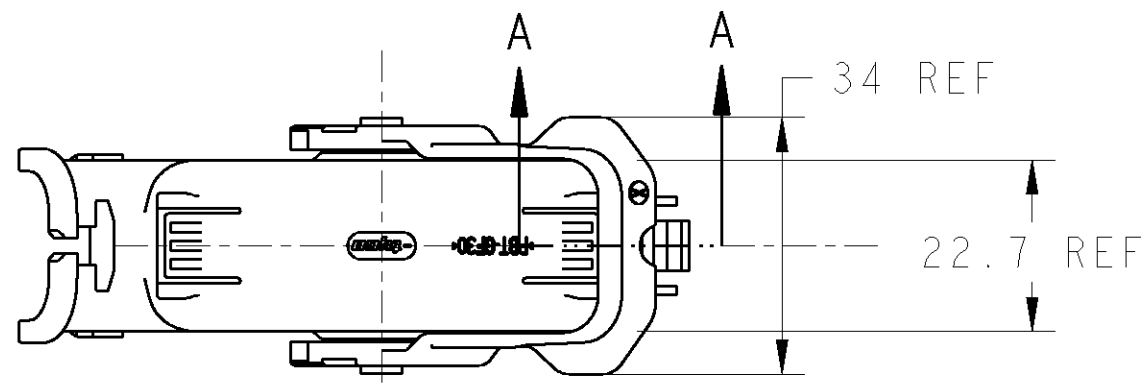


THIS DRAWING IS UNPUBLISHED. RELEASED FOR PUBLICATION 2002  
 © COPYRIGHT 2002 BY TYCO ELECTRONICS CORPORATION. ALL RIGHTS RESERVED.

| LOC | DIST | REVISIONS |     |                       |         |     |      |
|-----|------|-----------|-----|-----------------------|---------|-----|------|
|     |      | P         | LTR | DESCRIPTION           | DATE    | DWN | APVD |
| J   | -    |           | I   | PROPOSED FJA0-0056-03 | 21FEB03 | AY  | KO   |
|     |      |           |     |                       |         |     |      |
|     |      |           |     |                       |         |     |      |



CONCEPTUAL PRODUCT-NOT FOR PRODUCTION

|        |       |
|--------|-------|
| ORANGE | LEVER |
| BLACK  | COVER |
| COLOR  | PARTS |

|                                                                                                                                                                                                                                   |  |                                                                                                                                   |  |                                                                                   |  |
|-----------------------------------------------------------------------------------------------------------------------------------------------------------------------------------------------------------------------------------|--|-----------------------------------------------------------------------------------------------------------------------------------|--|-----------------------------------------------------------------------------------|--|
| <small>THIS DRAWING IS A CONTROLLED DOCUMENT FOR TYCO ELECTRONICS CORPORATION<br/>         IT IS SUBJECT TO CHANGE AND THE CONTROLLING ENGINEERING ORGANIZATION<br/>         SHOULD BE CONTACTED FOR THE LATEST REVISION.</small> |  | DWN 21FEB03<br>A. YAMAGUCHI<br>CHK 21FEB03<br>T. MINEMATSU<br>APVD 21FEB03<br>K. ODA                                              |  | <b>tyco</b><br><b>Electronics</b><br>Tyco Electronics AMP K.K.<br>Kawasaki, Japan |  |
| DIMENSIONS:<br>mm<br>                                                                                                                                                                                                             |  | TOLERANCES UNLESS OTHERWISE SPECIFIED:<br>0 PLC ±-<br>1 PLC ±0.5<br>2 PLC ±0.13<br>3 PLC ±0.013<br>4 PLC ±0.000J<br>ANGLES ±1°00' |  | NAME<br>060/187 PLUG ASSY 26Pos.<br>LEVER ASSY                                    |  |
| MATERIAL -<br>FINISH SEE TABLE                                                                                                                                                                                                    |  | PRODUCT SPEC 108-5523<br>APPLICATION SPEC 114-5126, 114-5216<br>WEIGHT 18.7 g                                                     |  | SIZE A3<br>CAGE CODE 00779<br>DRAWING NO C-1612684-2<br>RESTRICTED TO -           |  |
| CUSTOMER DRAWING                                                                                                                                                                                                                  |  |                                                                                                                                   |  | SCALE . . . SHEET OF REV . . .                                                    |  |