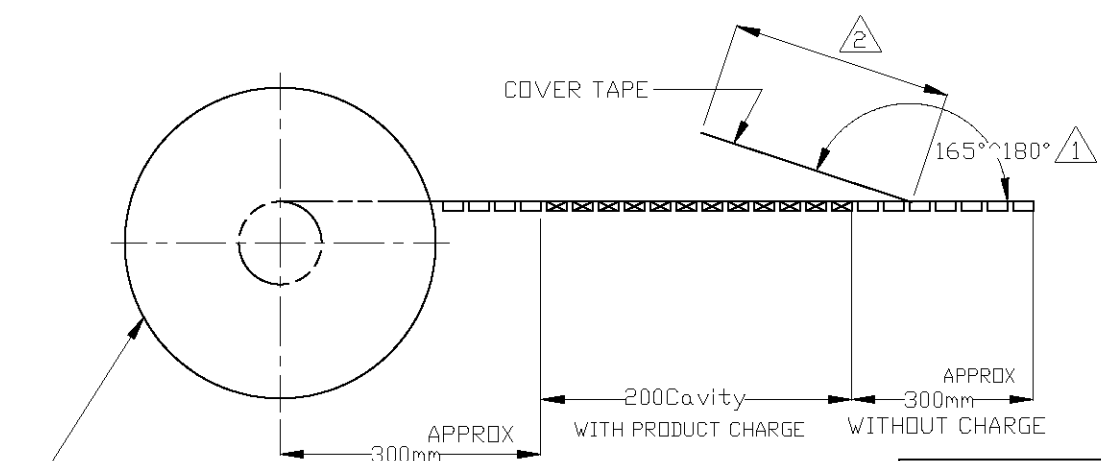
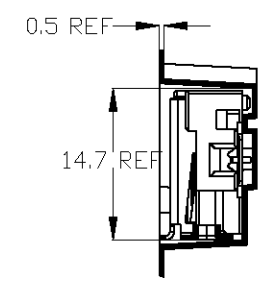
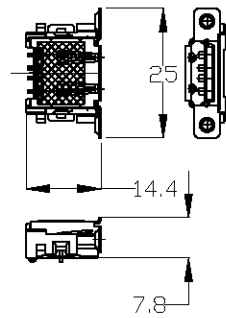
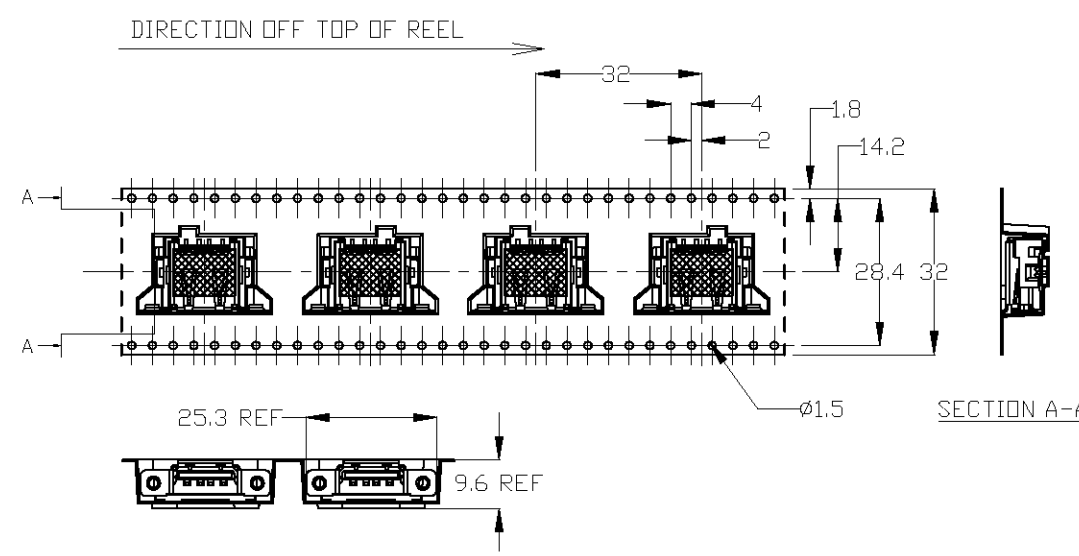


THIS DRAWING IS UNPUBLISHED. RELEASED FOR PUBLICATION
 © COPYRIGHT BY TYCO ELECTRONICS CORPORATION. ALL RIGHTS RESERVED.

LOC	DIST	REVISIONS			DATE	DWN	APVD
J		P	LTR	DESCRIPTION			
		0	REVISED	FJBO-1020-04	27SEP04	L.Z	I.E



NOTES:
 △ PEELING RESISTANCE ; 0.1N(10.2gf)~0.7N(71.4gf)
 PEELING ANGLE : 165°~180° PEELING SPEED : 300mm/min
 △ WEEDING THE COVER TAPE PERIPHERY IN A TURN.

PRODUCING	WHITE	200	4	1-353583-1	1612243-1
TOOLING STATUS	HOUSING COLOR	QTY	POS	CONN. P/N	PART NO.

THIS DRAWING IS A CONTROLLED DOCUMENT.		DWN LEO ZHOU 27SEP04	Tyco Electronics AMP K.K. Kawasaki, Japan
DIMENSIONS: mm		CHK STEVEN YAO 27SEP04	
TOLERANCES UNLESS OTHERWISE SPECIFIED: mm		APVD LE NOMOTO 27SEP04	EMBOSS ASSY STD TYPE USB CONN. SMT WITH TAPE
0 PLC ± 0.3 1 PLC ± 2 PLC ± 3 PLC ± 4 PLC ± ANGLES ± 5		NAME LENOMOTO	
MATERIAL N/A	FINISH N/A	PRODUCT SPEC 108-5563	RESTRICTED TO
CUSTOMER DRAWING		APPLICATION SPEC 3.27mm±0.075	SIZE A3
		WEIGHT	CAGE CODE 00779
		SCALE 1:1	DRAWING NO 1612243
		SHEET 1 OF 1	REV 0