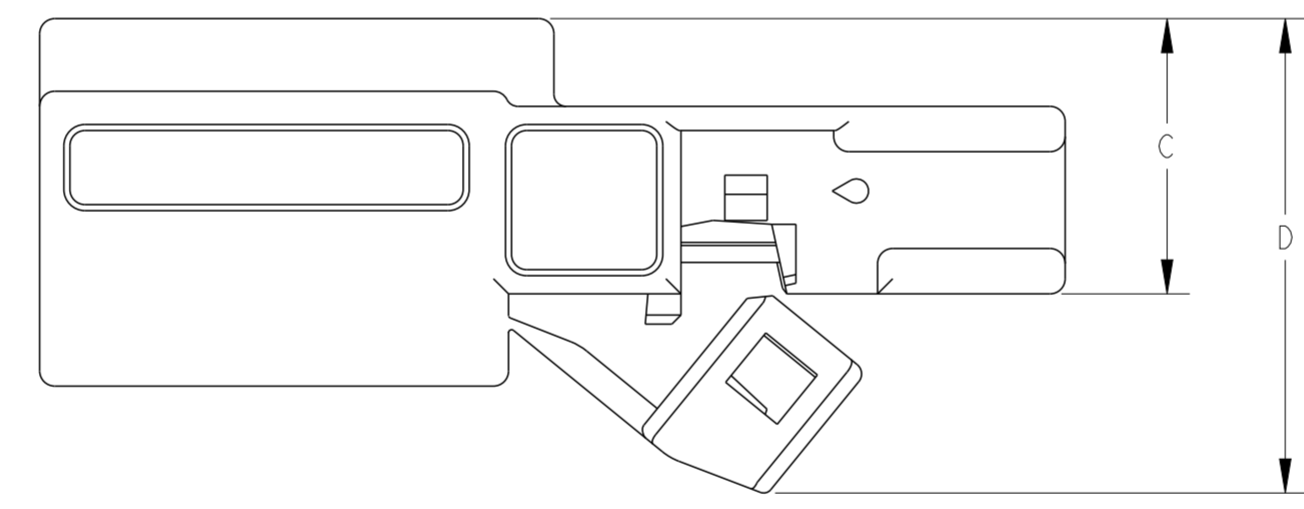
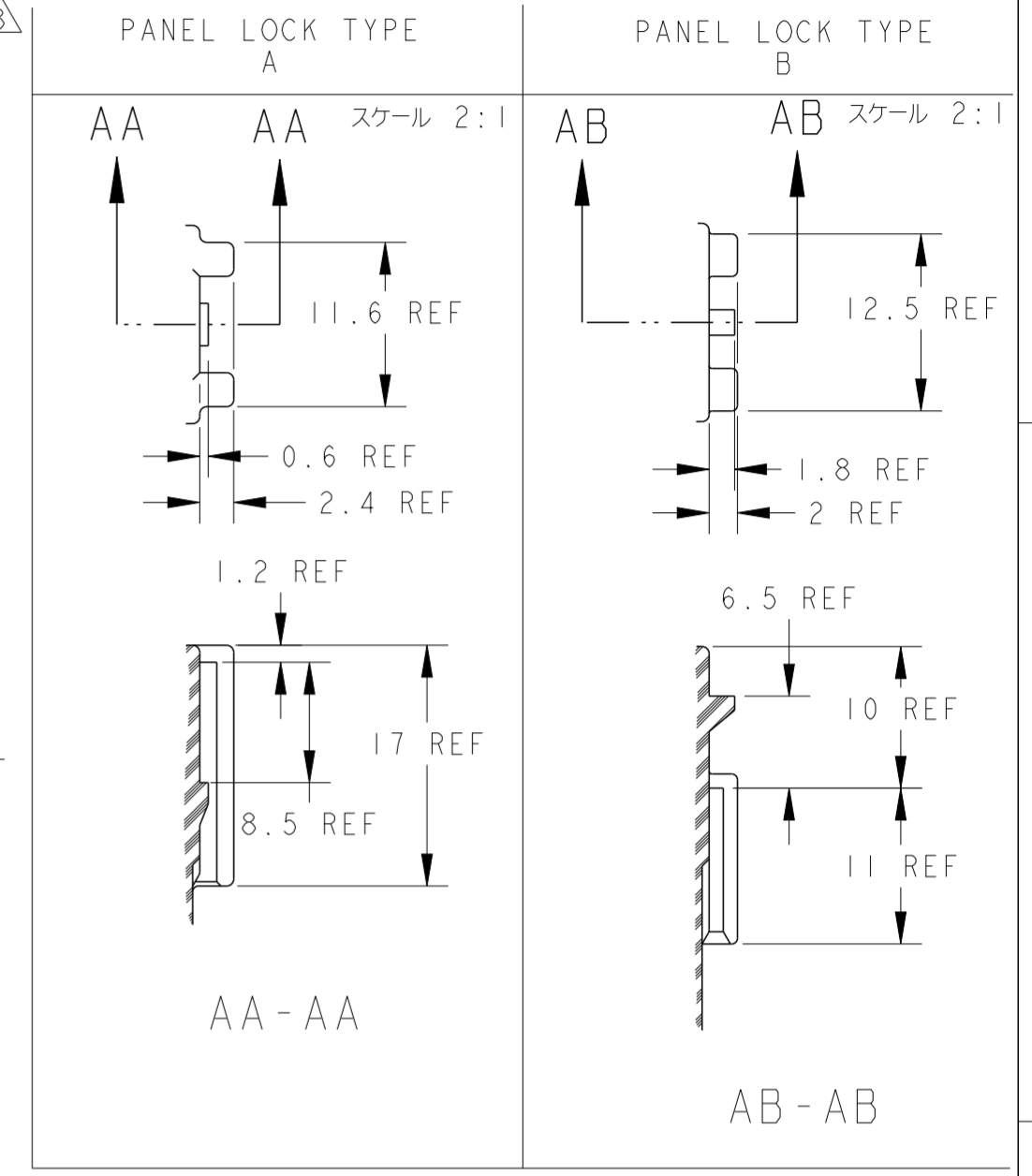
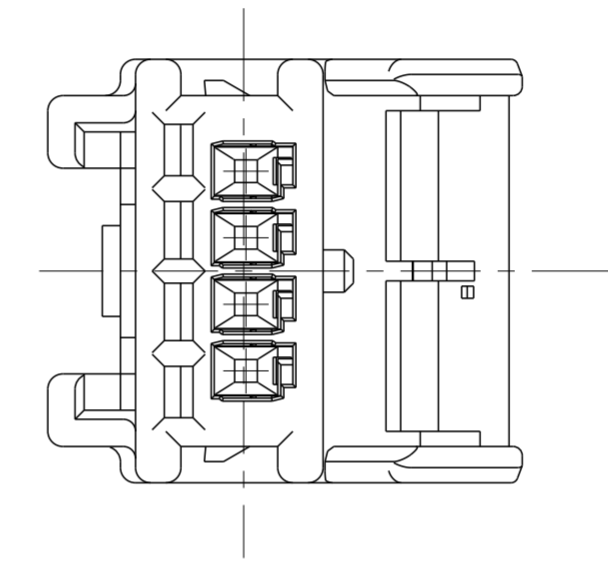
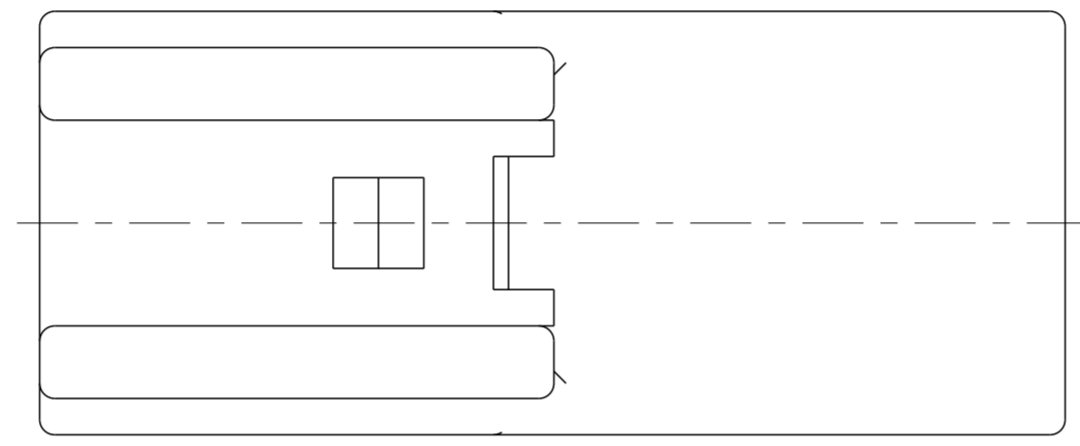
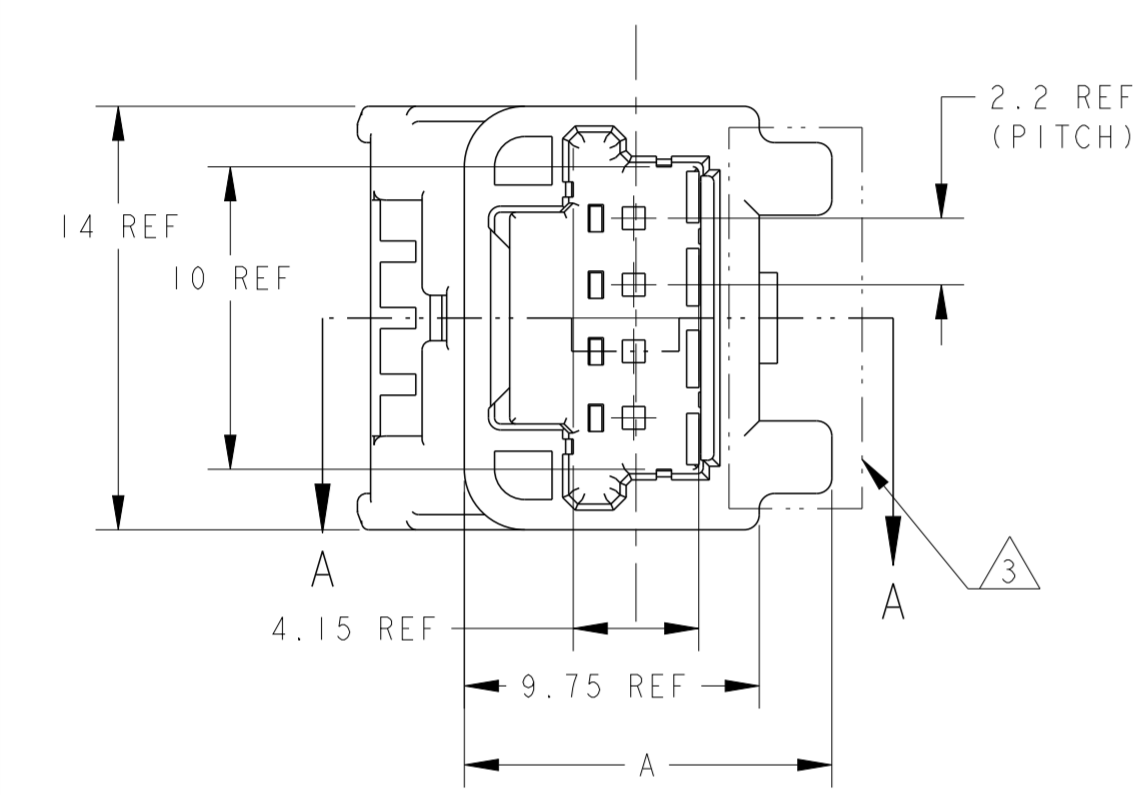
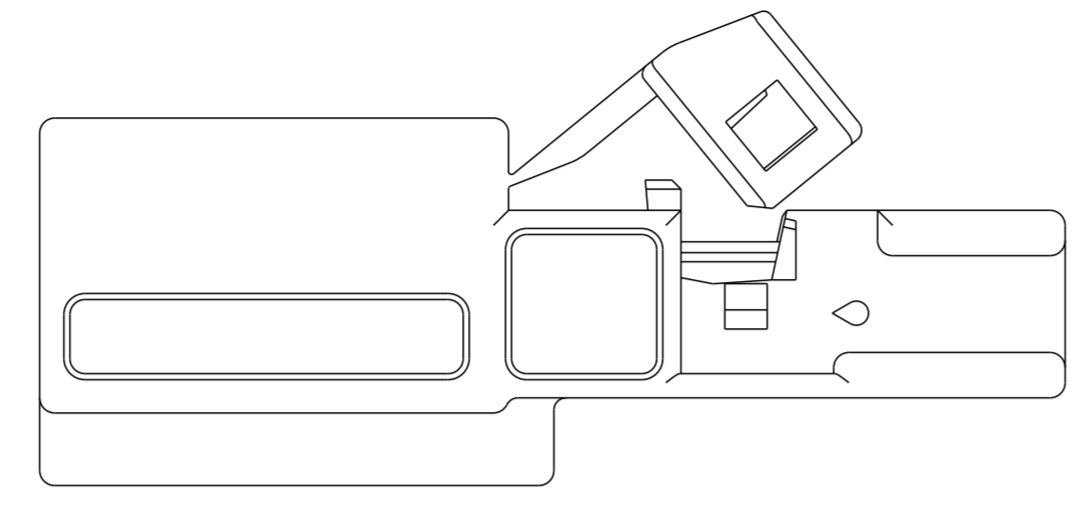
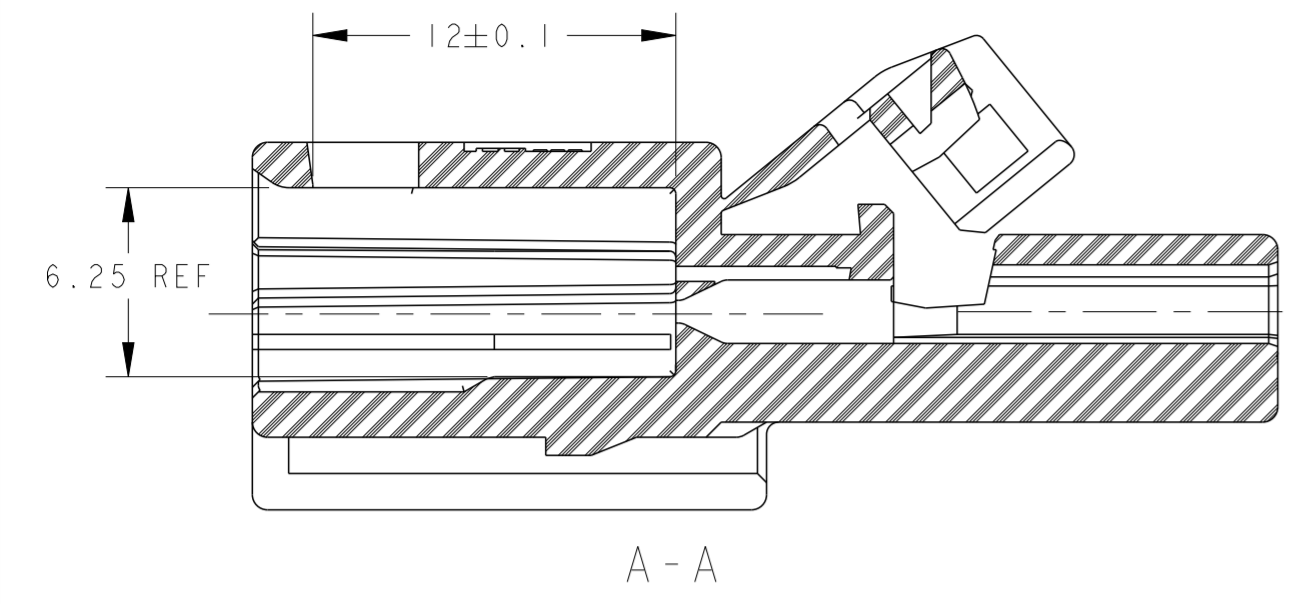


THIS DRAWING IS UNPUBLISHED. RELEASED FOR PUBLICATION 2002.11.1
 © COPYRIGHT 2002.11.1 ALL RIGHTS RESERVED.

AS SHOWN REVISION R, -1

LOC	DIST	REVISIONS					
J		P	LTR	DESCRIPTION	DATE	DWN	APVD
		P		REVISED PER ECO-11-005140	02APR2011	RK	HMR
		R		REVISED PER ECR-24-210758	10JUN2024	SH	HK



PART NO.	DIMENSION A 寸法 A	DIMENSION B 寸法 B	DIMENSION C 寸法 C	DIMENSION D 寸法 D
1612035-1	12.15 REF	14.05 REF	9.1 REF	15.7 REF
1612035-2	11.75 REF	13.65 REF	8.7 REF	15.3 REF

1. 嵌合相手品番; 1473672-1
2. 適用端子及び適用電線はTABLE-1参照
- △. 本品には、2種類のパネルロック形状がある
4. 取扱説明書NO. 411-78050

1. PART NUMBER OF PLUG HOUSING; 1473672-1
2. APPLICABLE TERMINAL AND WIRE RANGE; REFER TO TABLE-1
- △. PANEL LOCK VARIATIONS
4. INSTRUCTION SHEET NO. 411-78050

PACKING STYLE	COLOR	PANEL LOCK TYPE	PART NUMBER
PAPER BOX ダンボール箱	NATURAL	B	1612035-2
PLASTIC BAG ビニール袋	NATURAL	A	1612035-1
OUTER 外装	INNER 内装		
PACKING STYLE 梱包形態		PANEL LOCK TYPE パネルロック △	PART NUMBER 型番

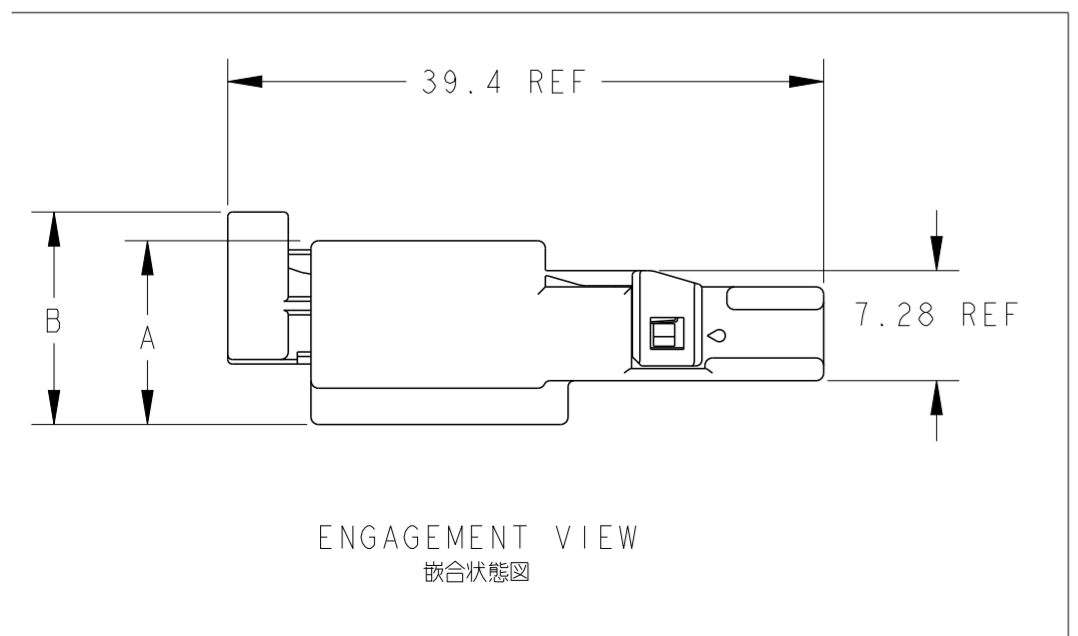


TABLE - 1

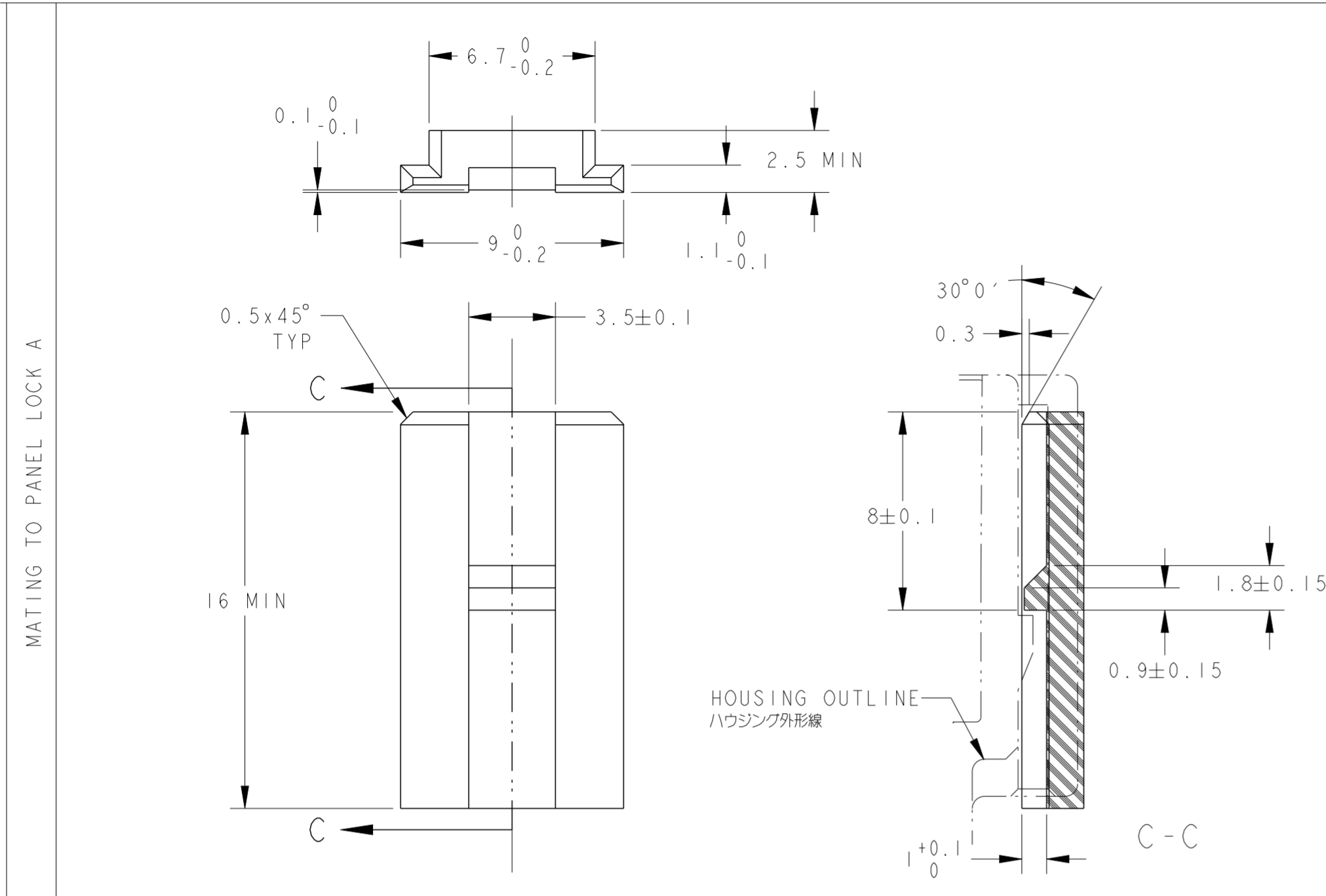
TERMINAL	FINISH	APPLICABLE WIRE RANGE
1674742-1	TIN	AVSS/AVSSH-f CAVS/CAVUS 0.3~0.5mm ²

THIS DRAWING IS A CONTROLLED DOCUMENT.

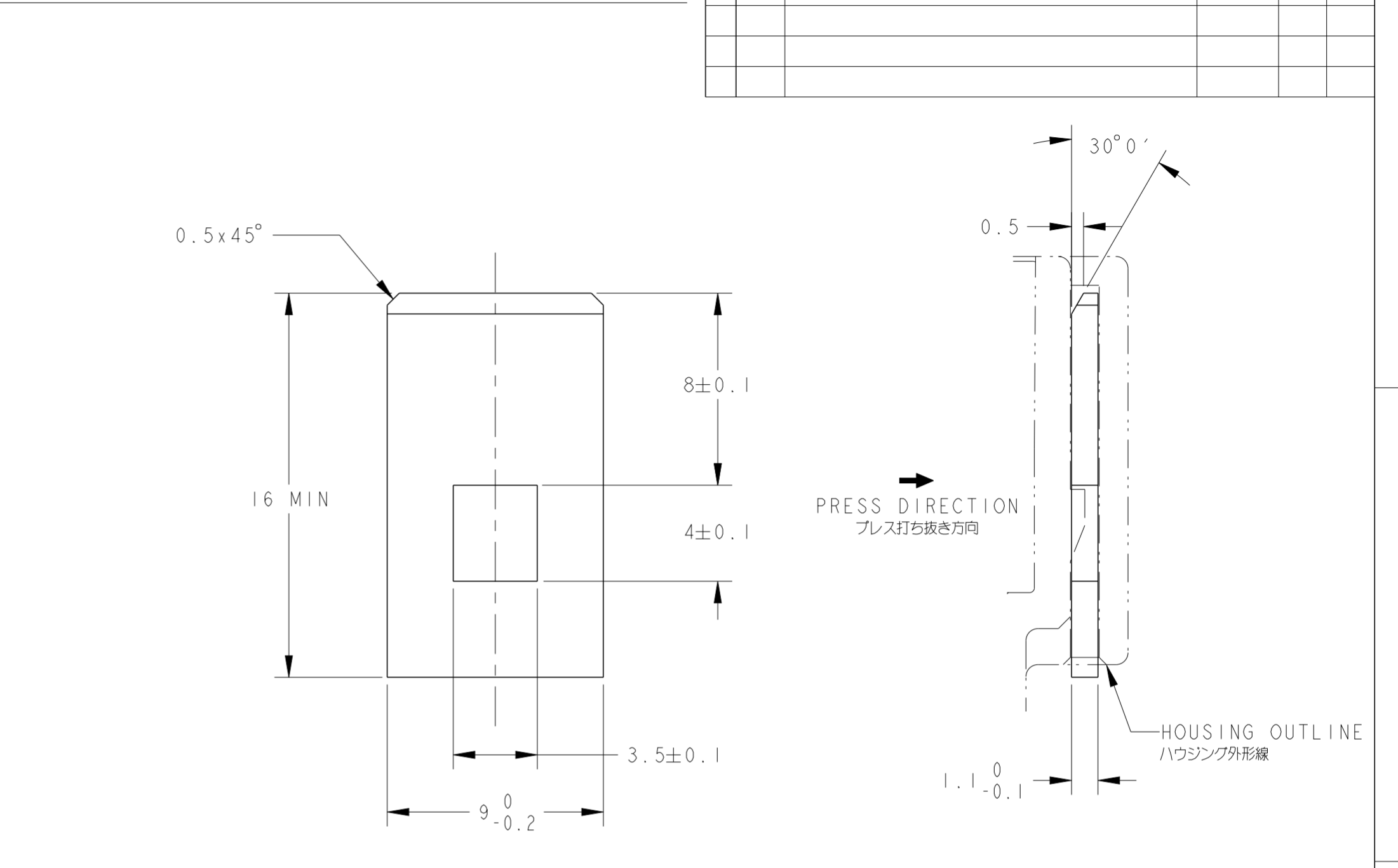
DIMENSIONS: 単位: 尺 mm	TOLERANCES UNLESS OTHERWISE SPECIFIED: 一般公差 ±0.3 0-PLC ± 1-PLC ± 2-PLC ± 3-PLC ± 4-PLC ± ANGLES ±3°00'	DWN N. YASUDA 29OCT02 CHK T. KOHNO 29OCT02 APVD N. SAI 29OCT02	NAME 025G W-W CONNECTOR 4POS CAP HOUSING
MATERIAL 材料 PBT	FINISH 仕上 SEE TABLE	PRODUCT SPEC 108-5787 APPLICATION SPEC 114-5340	SIZE A200779
CUSTOMER DRAWING		WEIGHT 3.1 g	DRAWING NO C-1612035
		SCALE 4:1	RESTRICTED TO SHEET 1 OF 2 REV R

THIS DRAWING IS UNPUBLISHED. RELEASED FOR PUBLICATION 2002.11.1
 © COPYRIGHT 2002.11.1 ALL RIGHTS RESERVED.

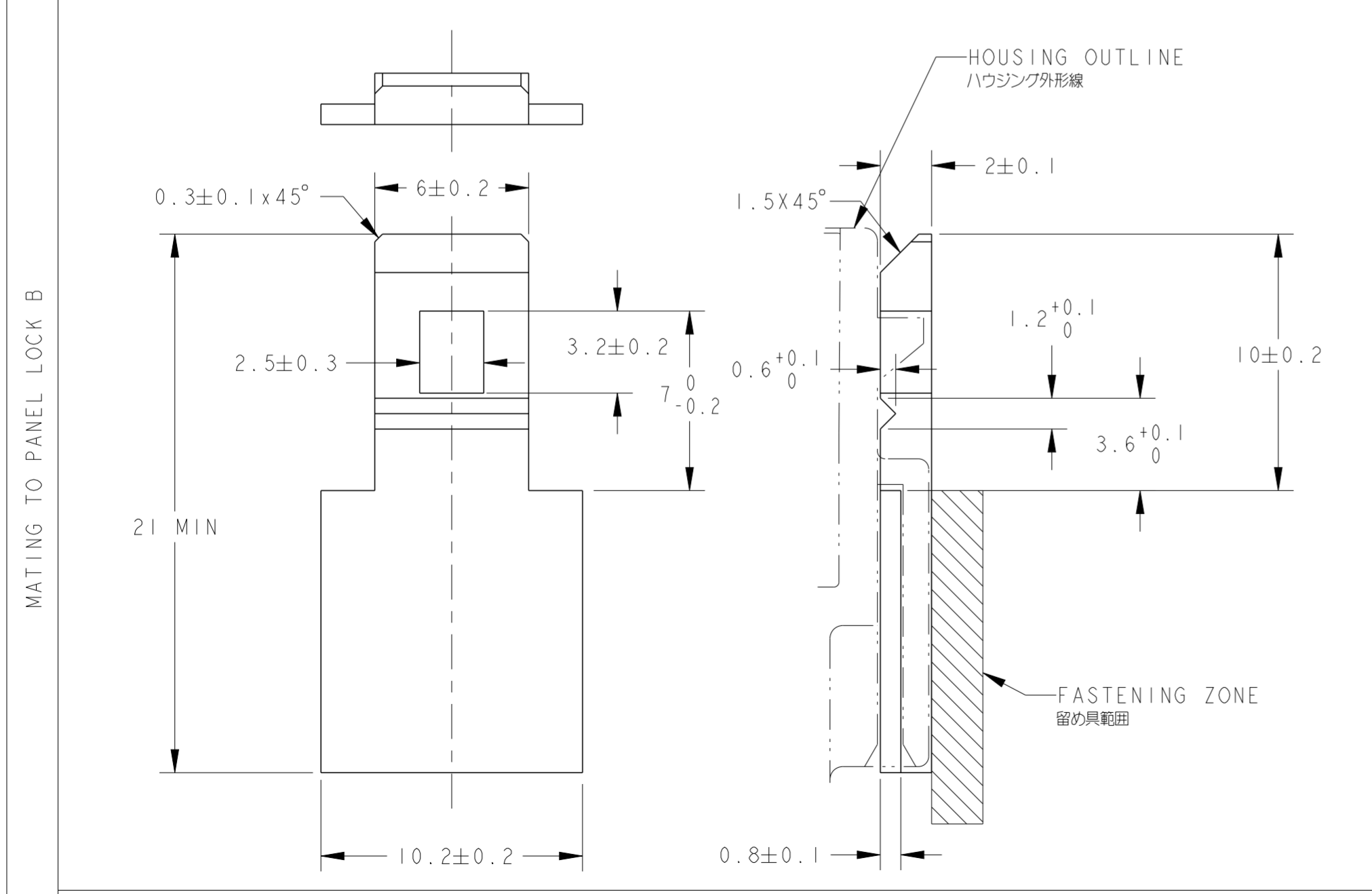
LOC		DIST		REVISIONS			DATE	DWN	APVD
P	LTR	DESCRIPTION							
-	-	SEE SHEET 1			-	-	-	-	-



MATERIAL: PLASTIC 材料: 樹脂

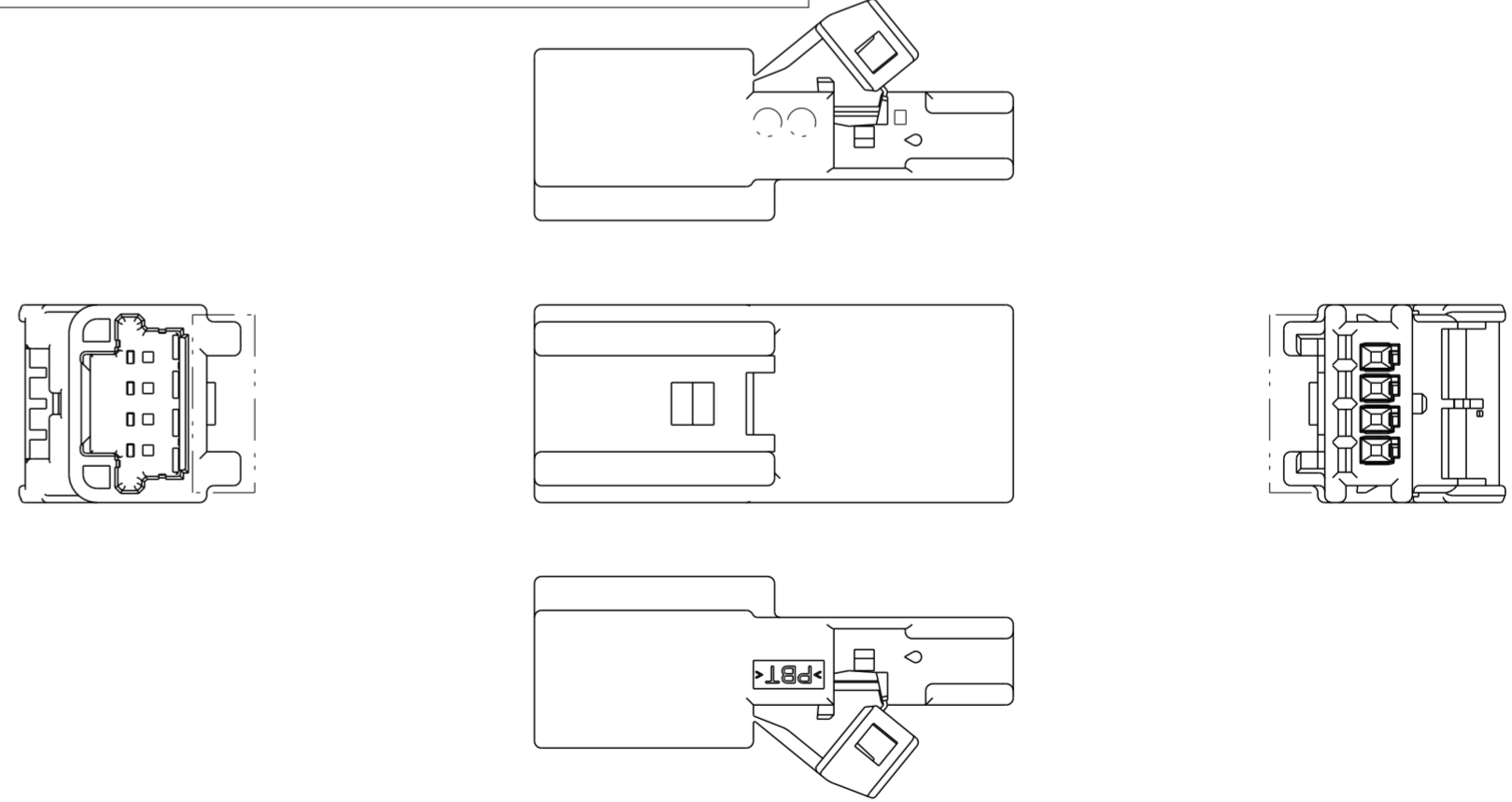


MATERIAL: METAL 材料: 金属



MATERIAL: PLASTIC 材料: 樹脂

AS SHOWN REVISION P, -1 AND -2



THIS DRAWING IS A CONTROLLED DOCUMENT.		DWN	N. YASUDA	29OCT02	 TE Connectivity	NAME 025G W-W CONNECTOR 4POS CAP HOUSING
DIMENSIONS: 単位: 桁 mm		CHK	T. KOHNO	29OCT02		
TOLERANCES UNLESS OTHERWISE SPECIFIED: 一般公差 ±0.15		APVD	N. SAI	29OCT02		
0-PLC ±		PRODUCT SPEC		SEE 1 OF 2		
1-PLC ±		APPLICATION SPEC		SEE 1 OF 2	SIZE	CAGE CODE
2-PLC ±		MATERIAL		SEE TABLE	DRAWING NO	RESTRICTED TO
3-PLC ±		FINISH 仕上		SEE 1 OF 2	A200779	C-1612035
4-PLC ±		ANGLES ±1°00'		WEIGHT	SEE 1 OF 2	SCALE 1:1
CUSTOMER DRAWING		SHEET 2 OF 2		REV R		