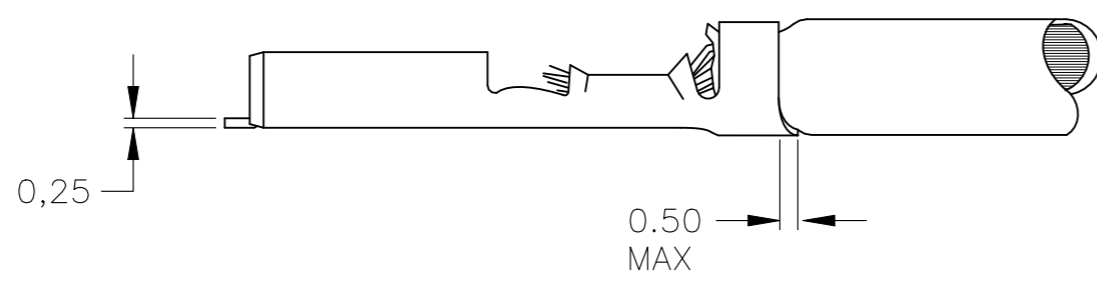
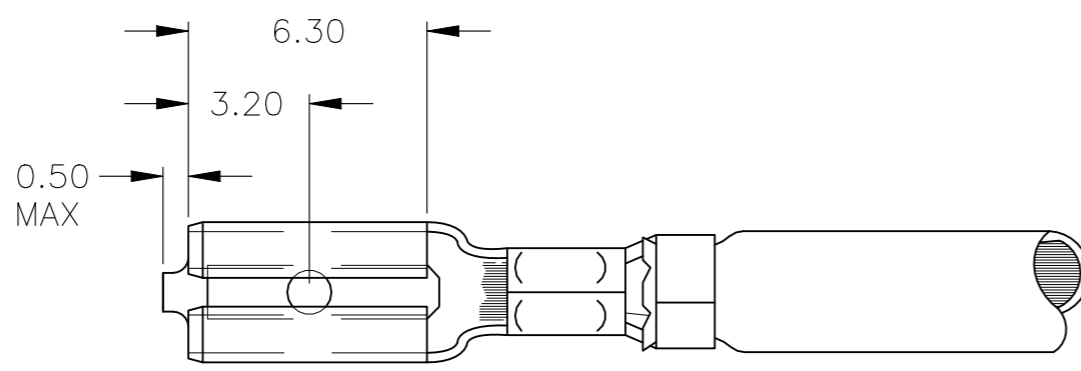
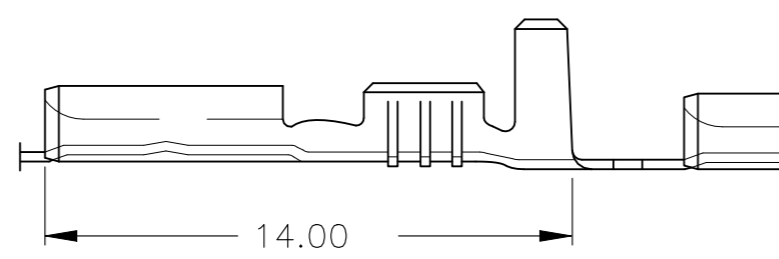
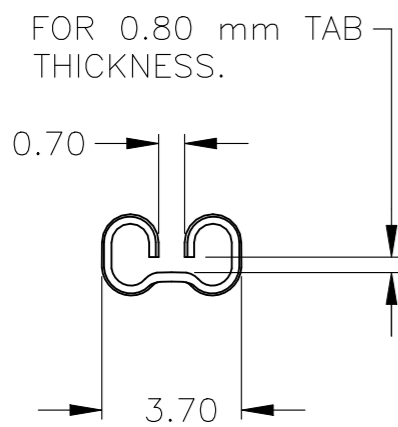
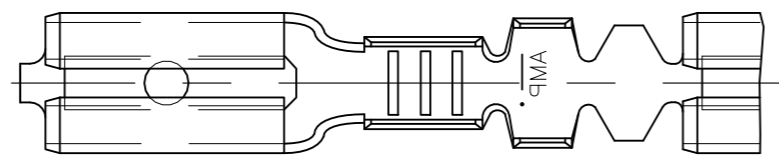


REVISIONS

P	LTR	DESCRIPTION	DATE	DWN	APVD
	A1	REVISED PER ECR-19-018140	23DEC2020	SS	EW



- △1 FOR USE ON MINIATURE APPLICATORS (LEFT-RIGHT FEED) AND STANDARD APPLICATORS (RIGHT-LEFT FEED).
- 2 REELED WITH PAPER COVER.
- △3 OBSOLETE PARTS: OBSOLETE CIS STREAMLINING PER D.RENAUD/D.SINISI.
- △4 OBSOLETE

OBSOLETE

NOTES	FINISH	MATERIAL	PART NUMBER
△4 △3 △4 △1	TINPLATED	PH.BRONZE	160918-4
	UNPLATED	PH.BRONZE	160918-3
	TINPLATED	BRASS	160918-2
	UNPLATED	BRASS	160918-1

THIS DRAWING IS A CONTROLLED DOCUMENT.

DIMENSIONS:	TOLERANCES UNLESS OTHERWISE SPECIFIED:
mm	
	0 PLC ± -
	1 PLC ± -
	2 PLC ± -
	3 PLC ± -
	4 PLC ± -
	ANGLES ± -
	FINISH ± -

WIRE RANGE	0.50 - 1.00 mm ²
INSUL. RANGE	1.40 - 2.30 DIA

DWN	R.v.Lokven	17.09.87	STE TE Connectivity					
CHK	A.B.	18.09.87						
APVD	L.v.Soest	22.09.87				.110 SRS FASTON RECEPTACLE.		
PRODUCT SPEC								
APPLICATION SPEC			SIZE	CAGE CODE	DRAWING NO	RESTRICTED TO		
WEIGHT	0.000000	A3	00779	C-160918		-		
CUSTOMER DRAWING			SCALE	5:1	SHEET	1 OF 1	REV	A1