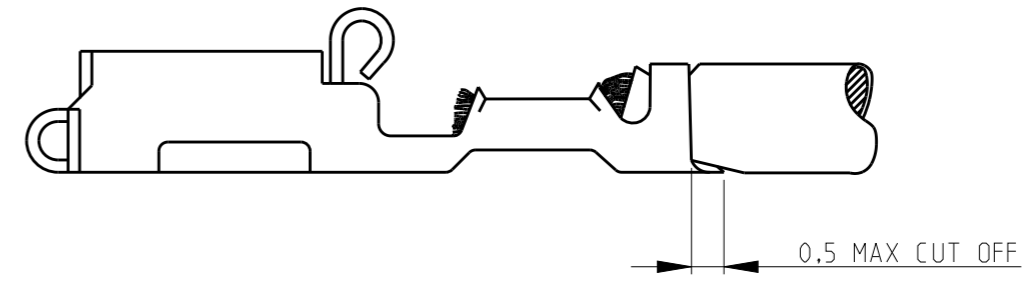
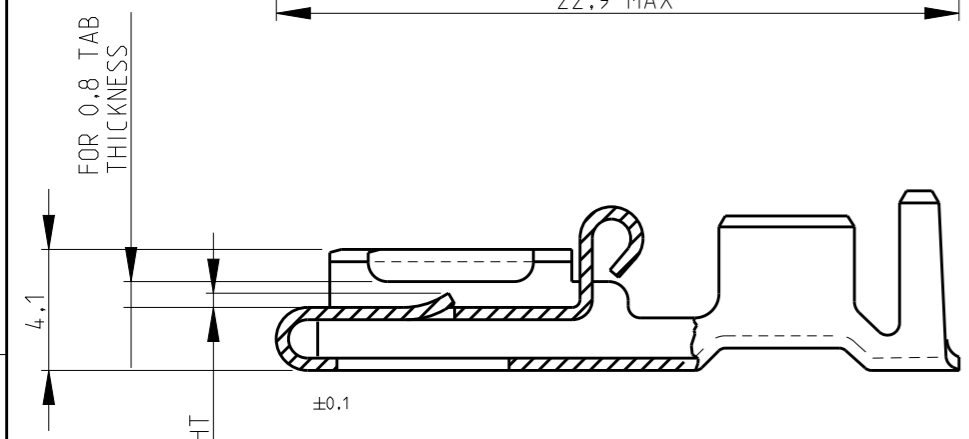
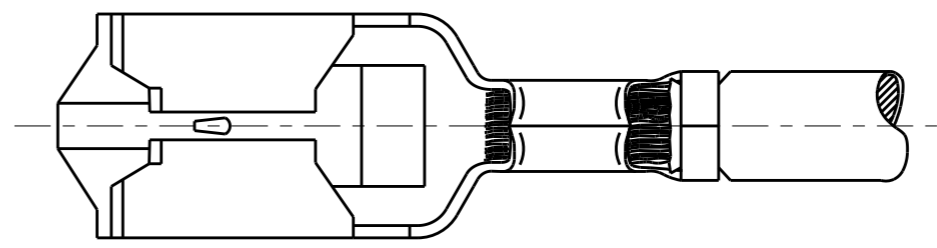
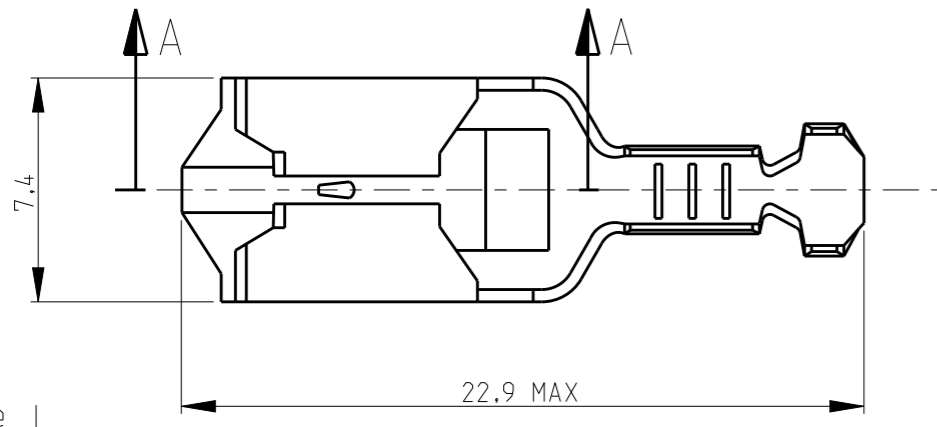


THIS DRAWING IS UNPUBLISHED. RELEASED FOR PUBLICATION  
 © COPYRIGHT BY TYCO ELECTRONICS CORPORATION. ALL RIGHTS RESERVED.

LOC	DIST	REVISIONS				
P	LTR	DESCRIPTION	DATE	DWN	APVD	
AL	2	E	REVISED ES00-0142-02	22OCT2002	JL	JL
		F	REVISED BY ECN 05-0095	12JAN06	J.L	J.L
		F2	REVISED PER ECR-16-001995	11FEB2016	BW	MD
		F3	REVISED PER ECR-20-005366	23APR2020	SS	DL



SECTION A-A

OBSOLETE	2-160759-7	TIN-LEAD	PH.BRONZE	1-160773-1
	2-160759-1	NICKEL PLATED	PH.BRONZE	1-160773-0
	1-160759-2	HOT DIP PRETIN.	PH.BRONZE	0-160773-7
	1-160759-1	HOT DIP PRETIN.	BRASS	0-160773-6
OBSOLETE	160759-5	PRETINNED	PH.BRONZE	<del>0-160773-5</del>
	160759-4	TIN PLATED	PH.BRONZE	0-160773-4
	160759-3	TIN PLATED	BRASS	0-160773-3
	160759-2	UNPLATED	PH.BRONZE	0-160773-2
	160759-1	UNPLATED	BRASS	0-160773-1
	STRIP NO.	FINISH	MATERIAL	PARTNUMBER

WIRE SIZE	INS. RANGE
0,5-1,5 mm <sup>2</sup>	2,3-3,3 mm dia

THIS DRAWING IS A CONTROLLED DOCUMENT FOR TYCO ELECTRONICS CORPORATION. IT IS SUBJECT TO CHANGE AND THE CONTROLLING ENGINEERING ORGANIZATION SHOULD BE CONTACTED FOR THE LATEST REVISION.

DWN	J.LAZARO	02APR02		POSITIVE LOCK RECEPTACLE MK1 LOOSE PIECE
CHK	J.LAZARO	02APR02		
APVD	-	-		
PRODUCT SPEC	108-3017		NAME	
APPLICATION SPEC	114-2153		SIZE	A3
WEIGHT	-		CAGE CODE	00779
MATERIAL	see table	FINISH	DRAWING NO	160773
CUSTOMER DRAWING			RESTRICTED TO	
SCALE			SHEET	1 OF 1
			REV	F3