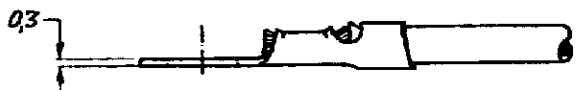
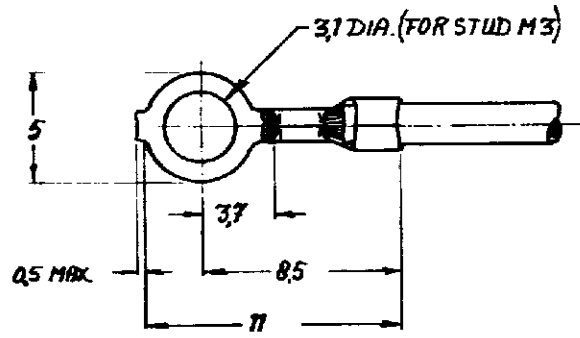


NUMBER C-160623 -E

DRAWING MADE IN AMERICAN PROJECTION

REVISIONS				
LTR	DESCRIPTION	DATE	DWN	APVD
B1	REVISED PER ECO-09-022178	29SEP09	KK	AEG



TERMINAL IN STRIP FORM

NOTE : 1 REEL WITH PAPER LAYER.

△ OBSOLETE PARTS: OBSOLETE CIS STREAMLINING PER D.RENAUD/D.SINISI

DIMENSIONS IN MM. DO NOT SCALE PRINT

CUSTOMER COPY FOR REFERENCE ONLY

©1967 BY AMP-HOLLAND N.V. ALL RIGHTS RESERVED AMP PRODUCTS COVERED BY PATENTS AND/OR PATENTS PENDING.



160623-E	BRASS	TIN	△
160623-1	BRASS		
ORDER NO.	MATERIAL	PLATING	
DR. R. Oiber 12-87	DATE	DES. 12-87	DATE
CHK	DATE	APP. 12-87	DATE

WIRE RANGE	INSUL. RANGE	FIRST USED			
30S-0.15 DIA.	0.8-1.3 DIA.				
SCALE	LOC	SIZE	NO	REV	
4:1	H	A	C-160623-E	B1	
NAME RINGTONGUE WITH PRE-CRIMP					