

THIS DRAWING IS UNPUBLISHED.

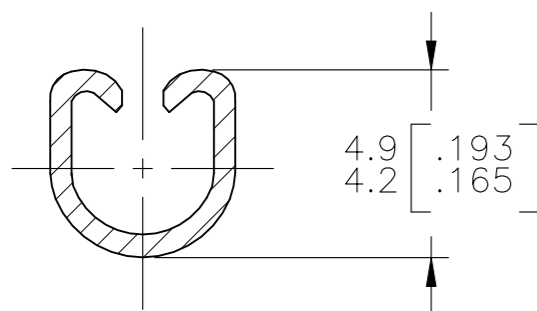
RELEASED FOR PUBLICATION

ALL RIGHTS RESERVED.

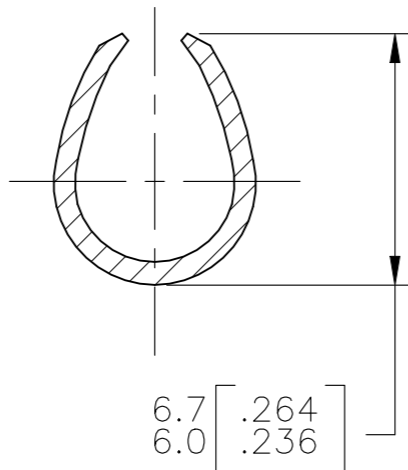
© COPYRIGHT - By -

REVISIONS

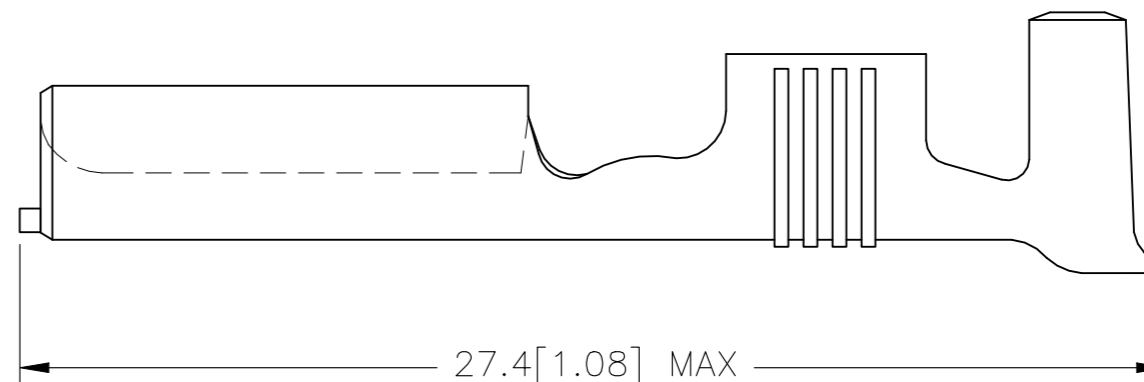
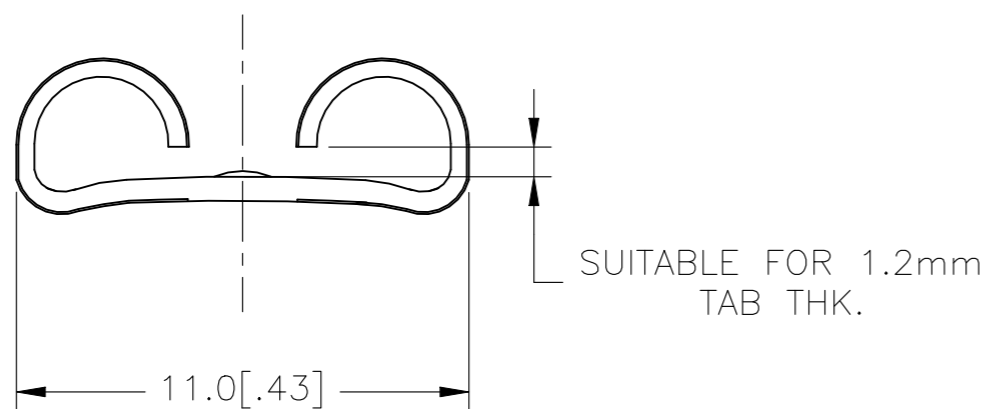
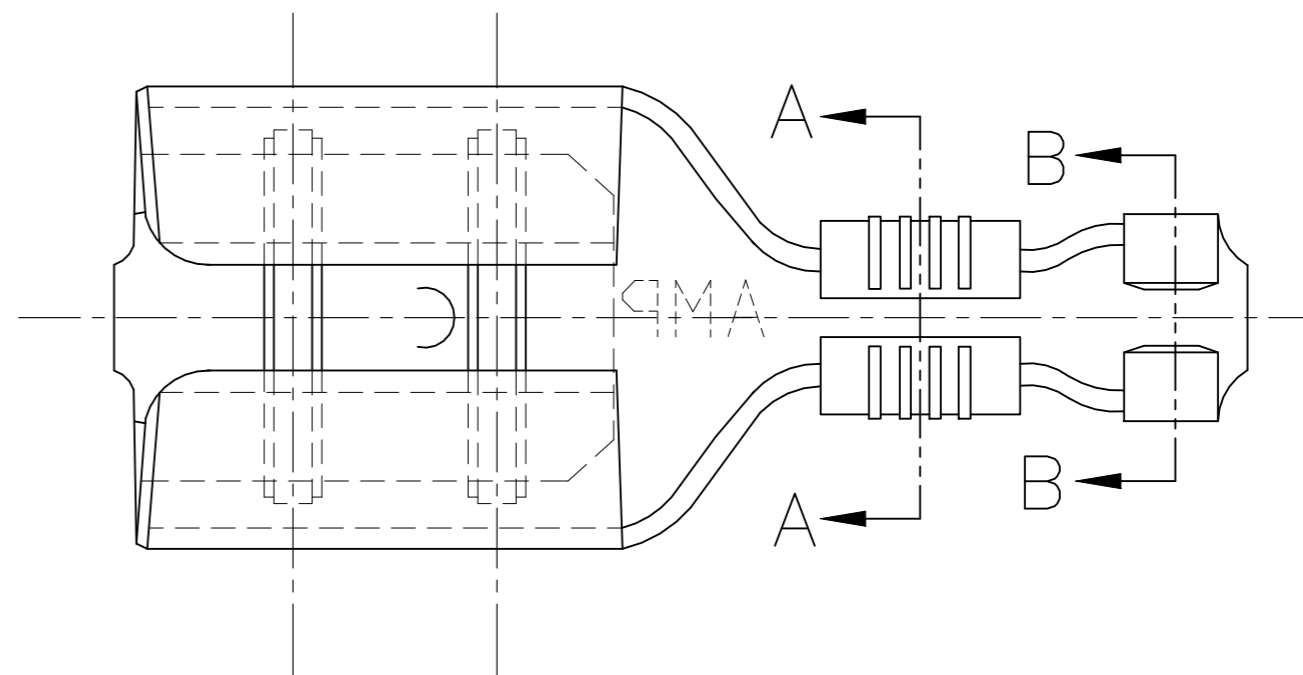
P	LTR	DESCRIPTION	DATE	DWN	APVD
	A1	REVISED PER ECR-19-017980	09DEC2021	SS	EW



SECTION A-A



SECTION B-B



1 LOOSE PIECE TERMINALS MUST MEET ALL APPLICABLE STRIP SPECIFICATIONS IN ADDITION TO THE FOLLOWING.

2 OBSOLETE PARTS: OBSOLETE CIS STREAMLINING PER D.RENAUD/D.SINISI.

OBSOLETE	2	5-160521-3	UNPLATED	PHOS. BRONZE	5-160550-3
		5-160521-2	TIN PLATED	BRASS	5-160550-2
		5-160521-8	UNPLATED	BRASS	5-160550-1
		STRIP FROM	FINISH/COLOUR	MATERIAL	PART NUMBER

WIRE RANGE mm <sup>2</sup>	INS. DIA. RANGE
4.0-6.0 mm <sup>2</sup>	ø3.8-5.0

THIS DRAWING IS A CONTROLLED DOCUMENT.		DWN RAVI S 18NOV2016	TE Connectivity <b>FASTON CONN., .375 SR. REC. CTC.</b>													
DIMENSIONS: mm [INCHES]		CHK LI DAISY 18NOV2016														
TOLERANCES UNLESS OTHERWISE SPECIFIED:		APVD DING TIM 18NOV2016														
<table border="1"> <tr><td>0 PLC</td><td>± -</td></tr> <tr><td>1 PLC</td><td>± -</td></tr> <tr><td>2 PLC</td><td>± -</td></tr> <tr><td>3 PLC</td><td>± 0.40 [.015]</td></tr> <tr><td>4 PLC</td><td>± -</td></tr> <tr><td>ANGLES</td><td>± -</td></tr> <tr><td>FINISH</td><td>± -</td></tr> </table>		0 PLC				± -	1 PLC	± -	2 PLC	± -	3 PLC	± 0.40 [.015]	4 PLC	± -	ANGLES	± -
0 PLC	± -															
1 PLC	± -															
2 PLC	± -															
3 PLC	± 0.40 [.015]															
4 PLC	± -															
ANGLES	± -															
FINISH	± -															
MATERIAL SEE TABLE	SEE TABLE	APPLICATION SPEC	NAME	SIZE	CAGE CODE											
		WEIGHT -	FASTON CONN., .375 SR. REC. CTC.	A3	00779											
		CUSTOMER DRAWING	DRAWING NO C-160550	RESTRICTED TO												
			SCALE 1:1	SHEET 1 OF 1	REV A1											