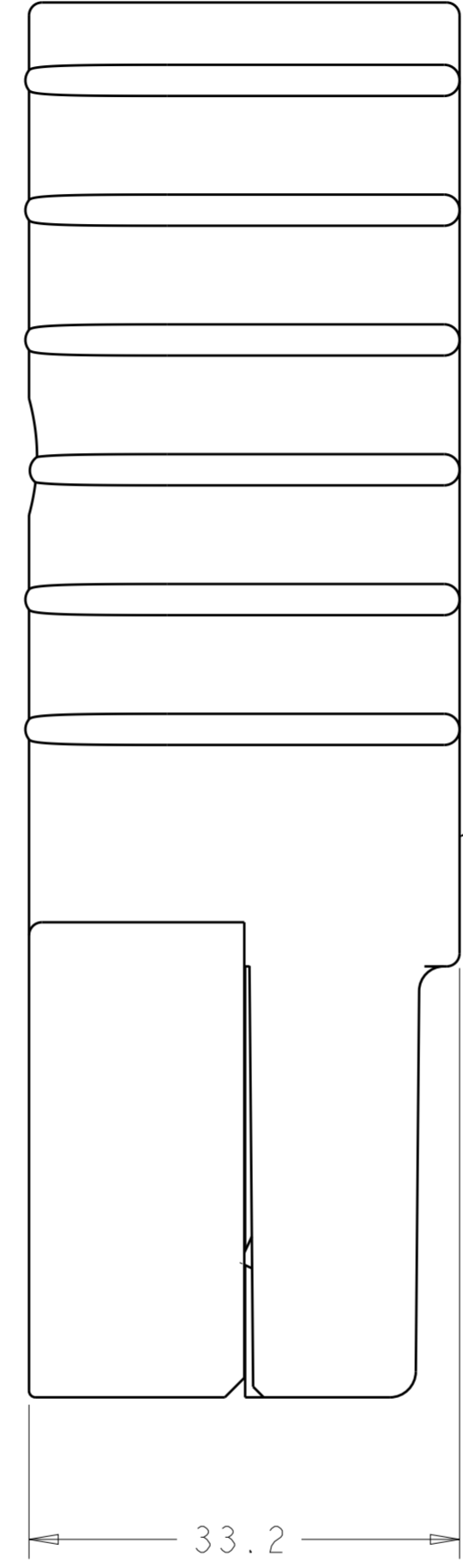
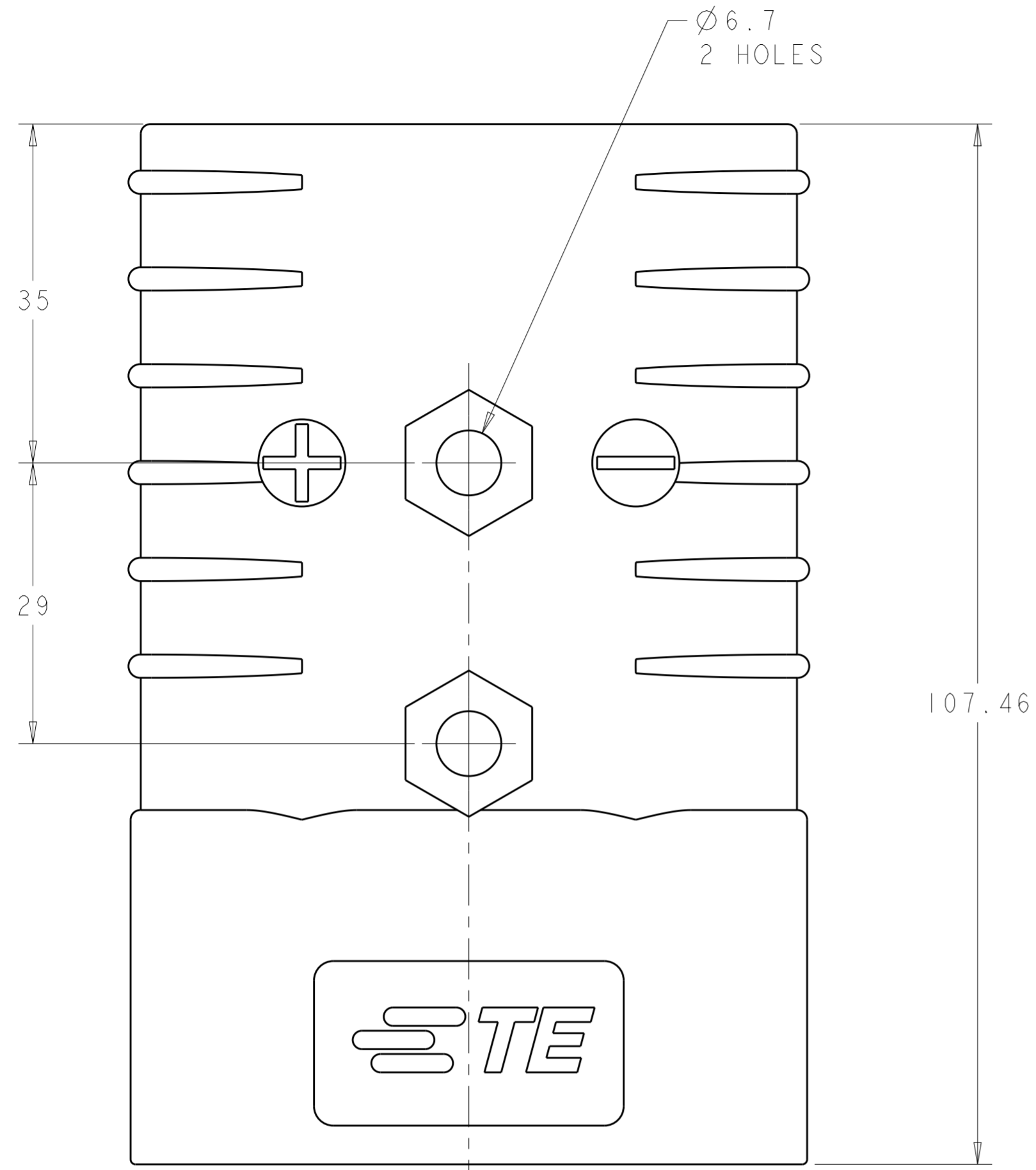
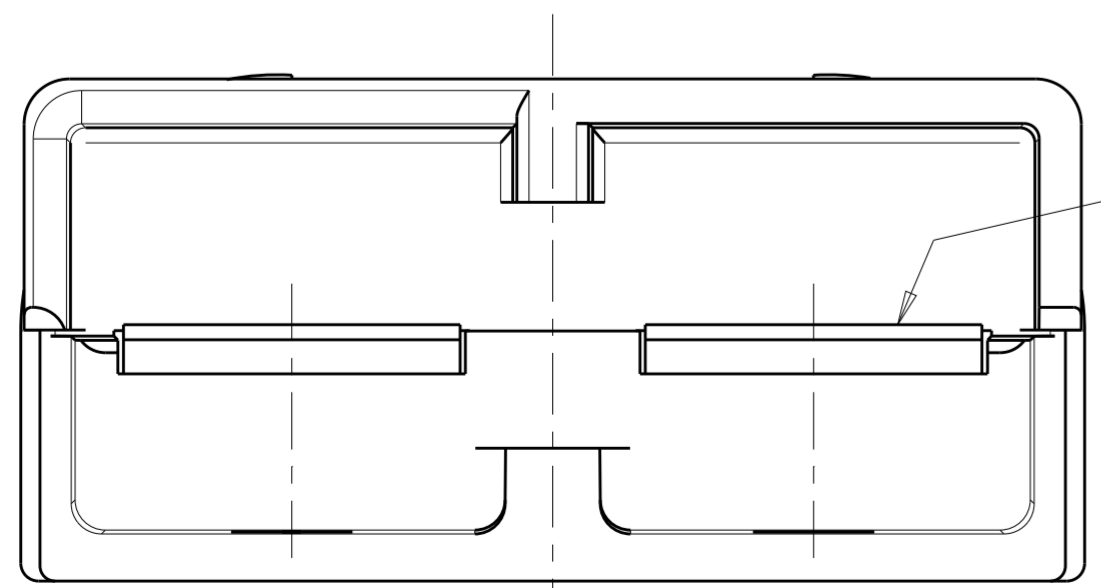


THIS DRAWING IS UNPUBLISHED. RELEASED FOR PUBLICATION 20  
 © COPYRIGHT 20 BY - ALL RIGHTS RESERVED.

REVISIONS					
P	LTR	DESCRIPTION	DATE	DWN	APVD
A1		REVISED PER ECR-10-010379	24MAY2010	HMR	JR
A2		REVISED PER ECR-16-003009	29FEB2016	RS	SZ

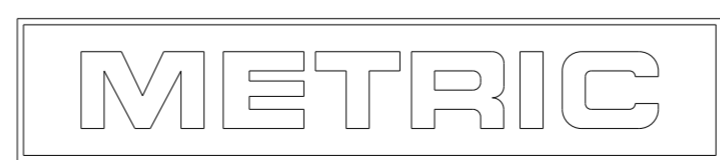


HOUSING  
 MATL: FLAME RETARDANT  
 POLYCARBONATE



RETENTION CLIP, 2 REQD  
 MATL: STAINLESS STEEL

GREEN	1604050-6
BLUE	1604050-5
GRAY	1604050-4
RED	1604050-3
ORANGE	1604050-2
YELLOW	1604050-1
HOUSING COLOR	ASSEMBLY PART NO



THIS DRAWING IS A CONTROLLED DOCUMENT.

DIMENSIONS:	TOLERANCES UNLESS OTHERWISE SPECIFIED:	DWN	8 JAN 2002	TE Connectivity NAME SUB-ASSY, HOUSING W/ SPRING, AMP POWER SERIES 350			
mm	0 PLC $\pm 0.13$	CHK	B. D. YOHN 8 APR 2002				
	1 PLC $\pm 0.13$	APVD	W. BERNHART 8 APR 2002				
	2 PLC $\pm 0.13$	APVD	W. BERNHART 8 APR 2002				
	3 PLC $\pm 0.13$	PRODUCT SPEC	108-2156	SIZE	CAGE CODE	DRAWING NO	RESTRICTED TO
	4 PLC $\pm 0.13$	APPLICATION SPEC	114-13119	A2		C-1604050	
	ANGLES $\pm$	WEIGHT	-	SCALE	2:1	SHEET	OF
	FINISH						REV
MATERIAL							A2

CUSTOMER DRAWING