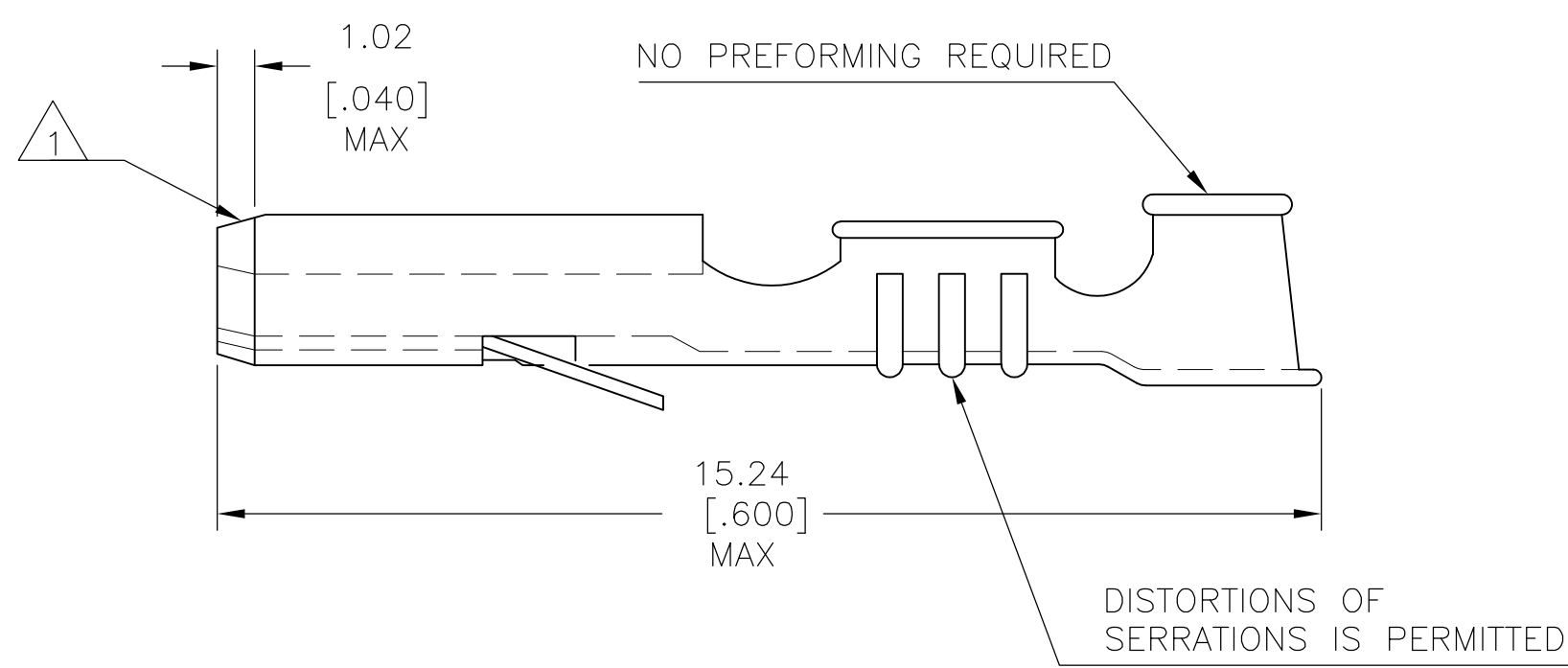



THIS DRAWING IS UNPUBLISHED. RELEASED FOR PUBLICATION
 © COPYRIGHT - By - ALL RIGHTS RESERVED.

LOC	DIST	REVISIONS					
		P	LTR	DESCRIPTION	DATE	DWN	APVD
-	-		A	NEW DRAWING	11NOV2014	NK	TD

- △1 CHAMFER AROUND FRONT OF RECEPTACLE.
- △2 OBSOLETE PER CIS STREAMLINING PER D.RENAUD/D.SINISI.



160173-3	△2 160308-3
160173-2	160308-2
160173-1	△2 160308-1
STRIP EQUIV	PART NUMBER

THIS DRAWING IS A CONTROLLED DOCUMENT.		DWN	11NOV2014	 TE Connectivity												
DIMENSIONS: mm [INCHES]		CHK	11NOV2014													
TOLERANCES UNLESS OTHERWISE SPECIFIED:		APVD	11NOV2014													
<table border="0"> <tr><td>0 PLC</td><td>± -</td></tr> <tr><td>1 PLC</td><td>± -</td></tr> <tr><td>2 PLC</td><td>± -</td></tr> <tr><td>3 PLC</td><td>± -</td></tr> <tr><td>4 PLC</td><td>± -</td></tr> <tr><td>ANGLES</td><td>± -</td></tr> </table>		0 PLC	± -				1 PLC	± -	2 PLC	± -	3 PLC	± -	4 PLC	± -	ANGLES	± -
0 PLC	± -															
1 PLC	± -															
2 PLC	± -															
3 PLC	± -															
4 PLC	± -															
ANGLES	± -															
MATERIAL	FINISH	PRODUCT SPEC	.110 SER FASTON RECEPTACLE													
-	-	APPLICATION SPEC	SIZE	CAGE CODE	DRAWING NO	RESTRICTED TO										
		WEIGHT	A3	00779	C-160308	-										
CUSTOMER DRAWING			SCALE	SHEET	REV											
			1:1	1 OF 1	A											