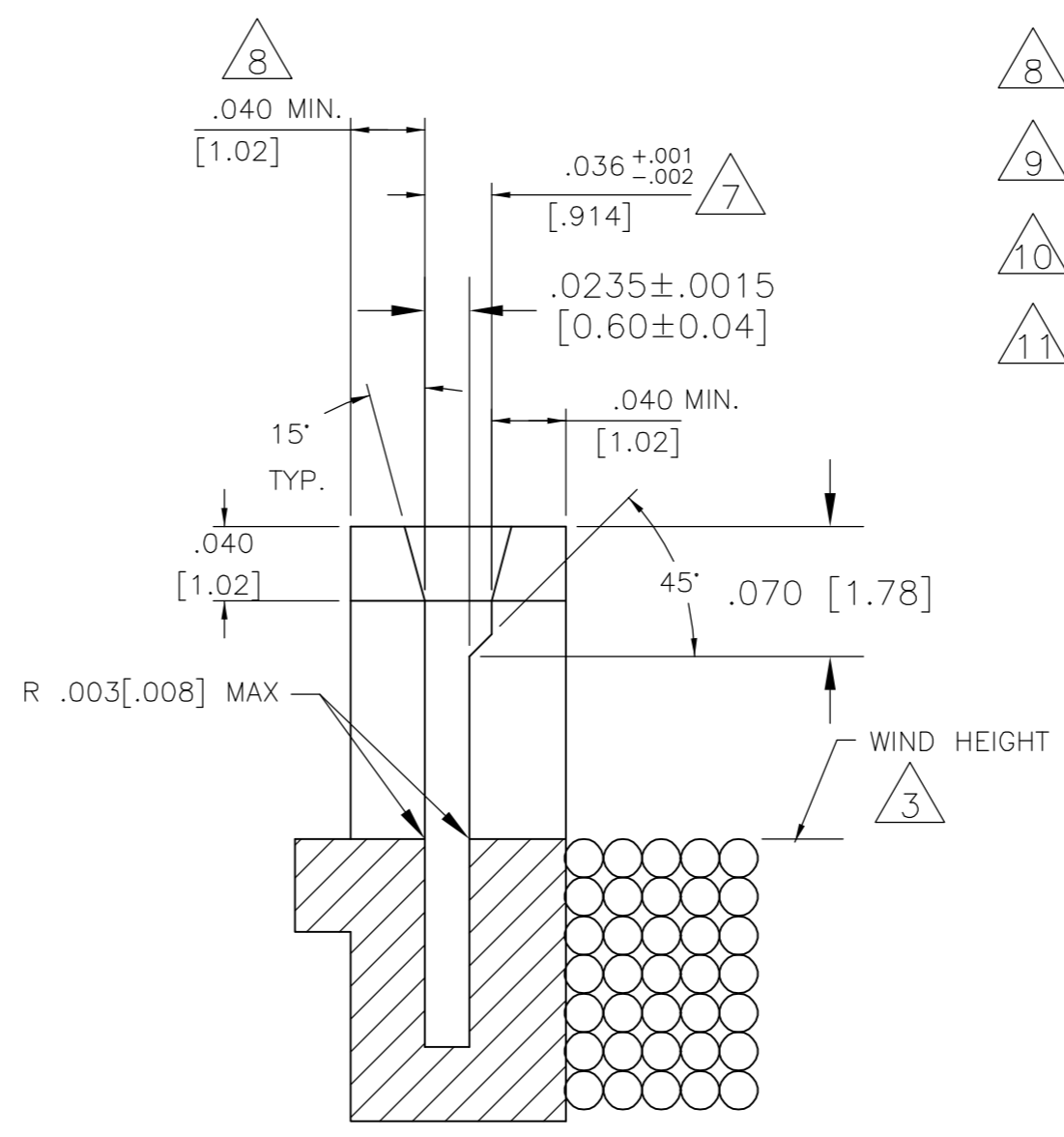
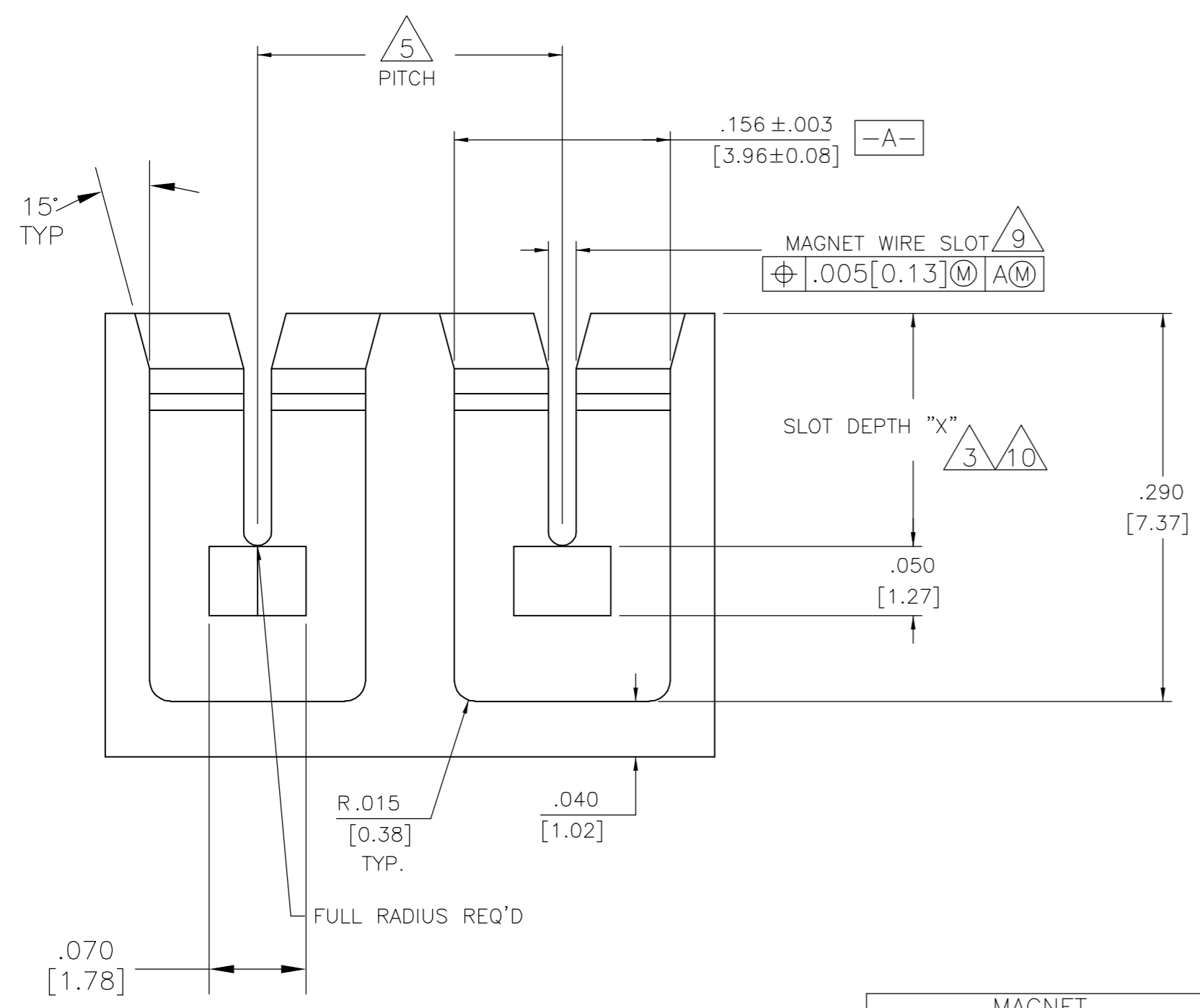
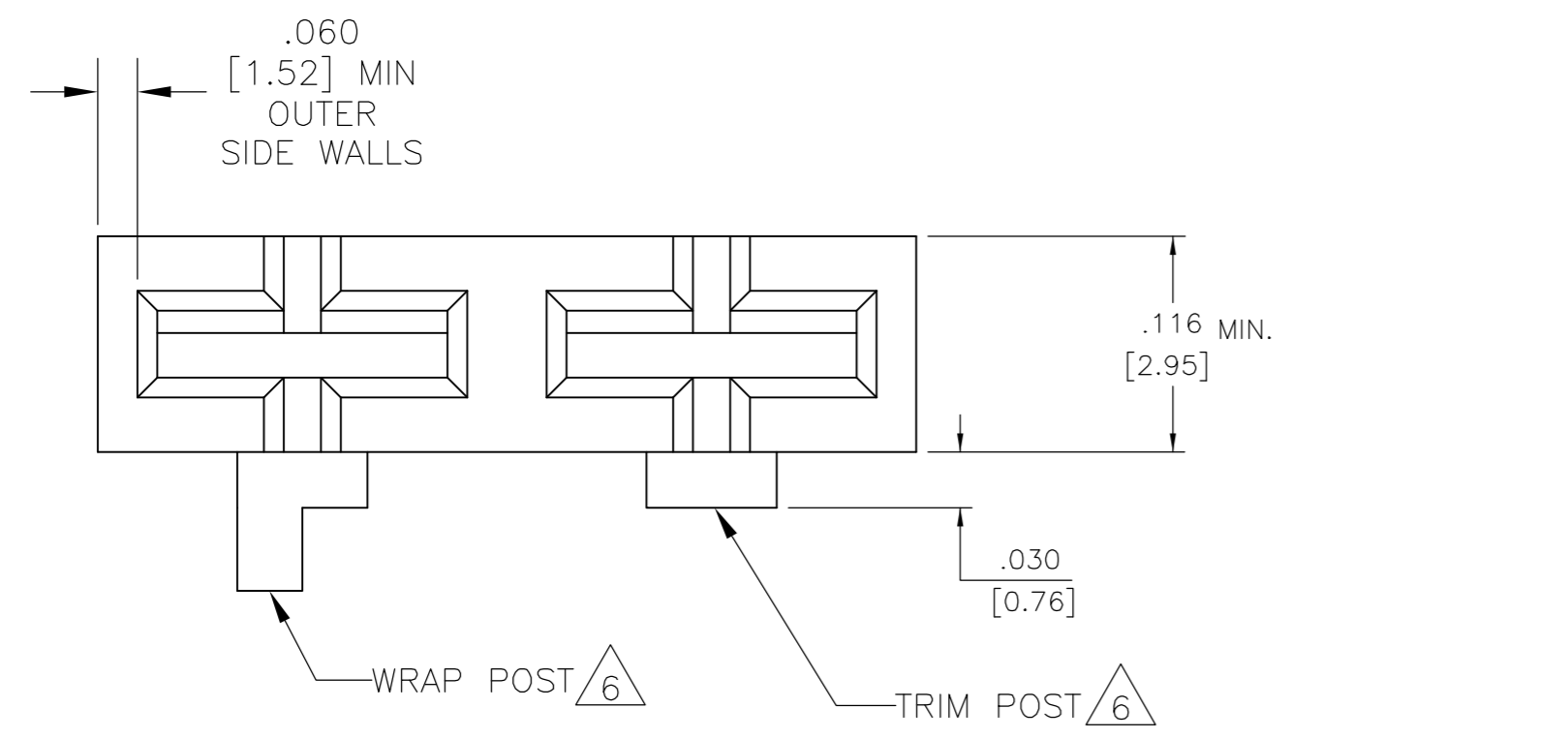


THIS DRAWING IS UNPUBLISHED. RELEASED FOR PUBLICATION
 © COPYRIGHT BY TYCO ELECTRONICS CORPORATION. ALL RIGHTS RESERVED.

LOC		DIST		REVISIONS			
AF	50	P	LTR	DESCRIPTION	DATE	DWN	APVD
		B		REVISED PER ECR-07-006768	05APR07	HMR	GJ



- DIMENSIONS SPECIFIED MAY VARY PER CUSTOMER APPLICATION, DO NOT TOOL WITHOUT TYCO ELECTRONICS REVIEW AND APPROVAL.
- TYCO ELECTRONICS REQUIRES THE FOLLOWING INFORMATION IN ORDER TO APPROVE THE CUSTOMERS APPLICATION DRAWING, MAGNET WIRE RANGE AND TYPE
- MAGNET WIRE COIL MUST NOT EXCEED HEIGHT OF MAGNET WIRE SLOT AS SHOWN UNLESS PROVISIONS ARE MADE TO KEEP "FINISH" WIRE FLAT AGAINST BASE OF WIRE SLOT.
- MATERIAL RECOMMENDED: NYLON 6/6 AND NYLON 6/6 30% GLASS FILLED. OTHER MATERIALS ARE ACCEPTABLE HOWEVER, CONSULT TYCO ELECTRONICS FOR SPECIFICATIONS.
- MINIMUM PITCH TO BE .197[5.0 mm]
- 30 AWG [0.26mm] WIRE AND SMALLER REQUIRES WIRE A WRAP POST INSTEAD OF TRIM POST. SEE SPEC. DRW. #1601447.
- DIMENSION SHOWN IS FOR THE TERMINALS WITH A .032[0.8] THICK BLADE. FOR TERMINALS WITH .025[0.64] TICK BLADE, REDUCE THIS DIMENSION TO .029[0.74]
- .060 [1.52] MIN. WALL THICKNESS RECOMMENDED ON TRIM POST SIDE WHEN WIRE TRIMMING IS REQUIRED.
- SIZE THIS SLOT FOR LARGEST WIRE DIA. CONSULT MOLD VENDOR IF SMALLER THAN .020 [0.51] IS TO BE SPECIFIED.
- REFER TO TABLE. CONSULT TYCO ELECTRONICS IF WIRE SIZE TO BE USED, OVERLAP THE RANGES SHOWN.
- SLOT DEPTH DIMENSIONS ARE FOR CONNECTING ONE MAGNET WIRE WITH A MOVING BEAM SIAMEZE CONTACT. CONSULT TYCO ELECTRONICS FOR BIFILAR (2 WIRE) CONNECTIONS.

MAGNET WIRE SIZE AWG [mm DIA]	SLOT DEPTH "X" ±.003 [±0.08] (triangle 11)
#18-#21.5 [1.02-0.69]	.195 [4.95]
#22-#25.5 [0.65-0.43]	.183 [4.65]
#26-#29.5 [0.41-0.27]	.175 [4.45]
#30-#33.5 [0.25-0.17]	.170 [4.32]
#34-#36 [0.16-0.13]	.167 [4.24]

THIS DRAWING IS A CONTROLLED DOCUMENT.		DWN 05APR2002 MICHAEL S. FEHER	Tyco Electronics Corporation Harrisburg, Pa 17105-3608	
DIMENSIONS: INCHES		CHK 05APR2002 GENE JACONO		
TOLERANCES UNLESS OTHERWISE SPECIFIED:		APVD 05APR2002 KURT A. RANDOLPH	NAME SIAMEZE POCKET SPECIFICATION	
0 PLC ± -		PRODUCT SPEC	SIZE CAGE CODE DRAWING NO	
1 PLC ± -		APPLICATION SPEC	RESTRICTED TO	
2 PLC ± .01 [0.25]		114-13166	A2 00779 C=1601431	
3 PLC ± .005 [0.13]		WEIGHT -	SCALE 10:1 SHEET 1 OF 1 REV B	
4 PLC ± .0010 [0.026]		CUSTOMER DRAWING		
ANGLES ± 2°				
FINISH -				