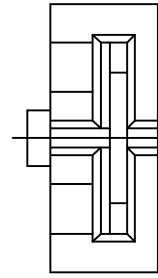
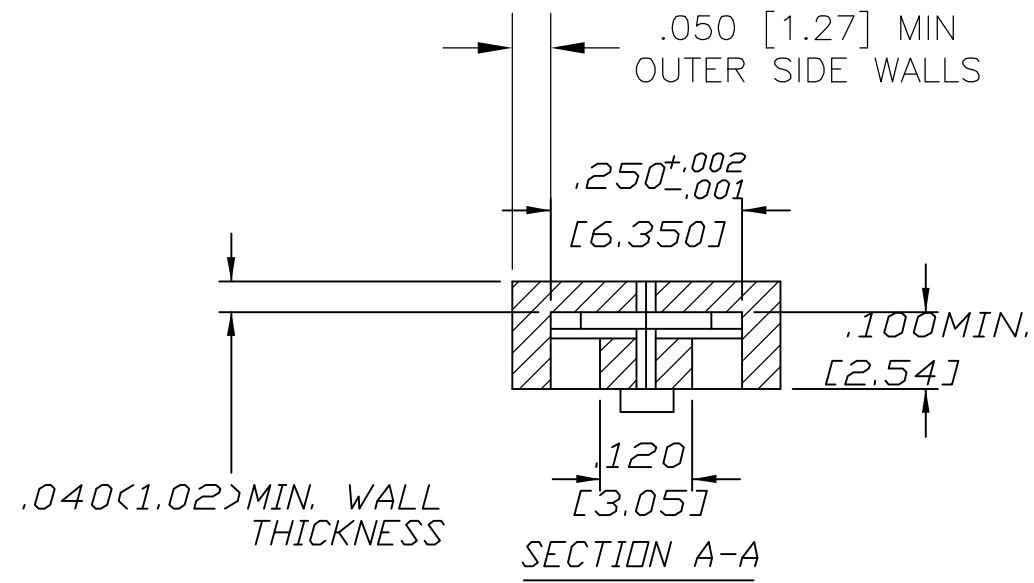
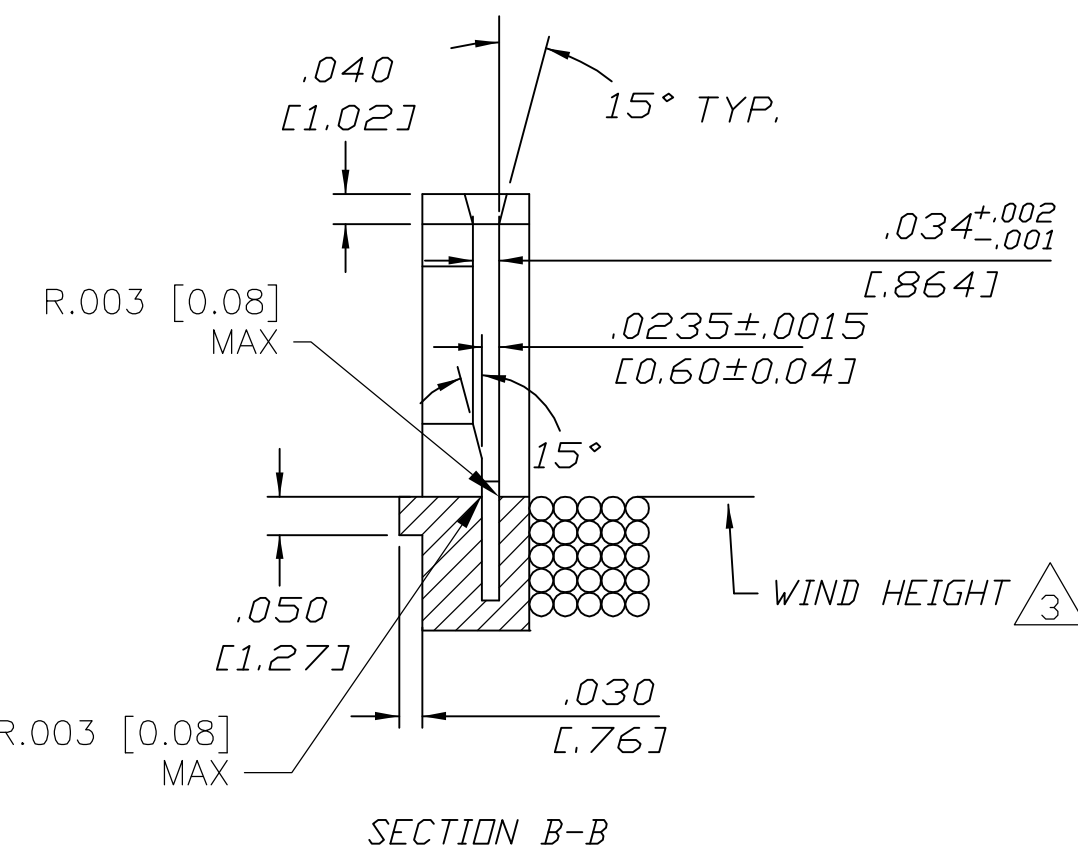
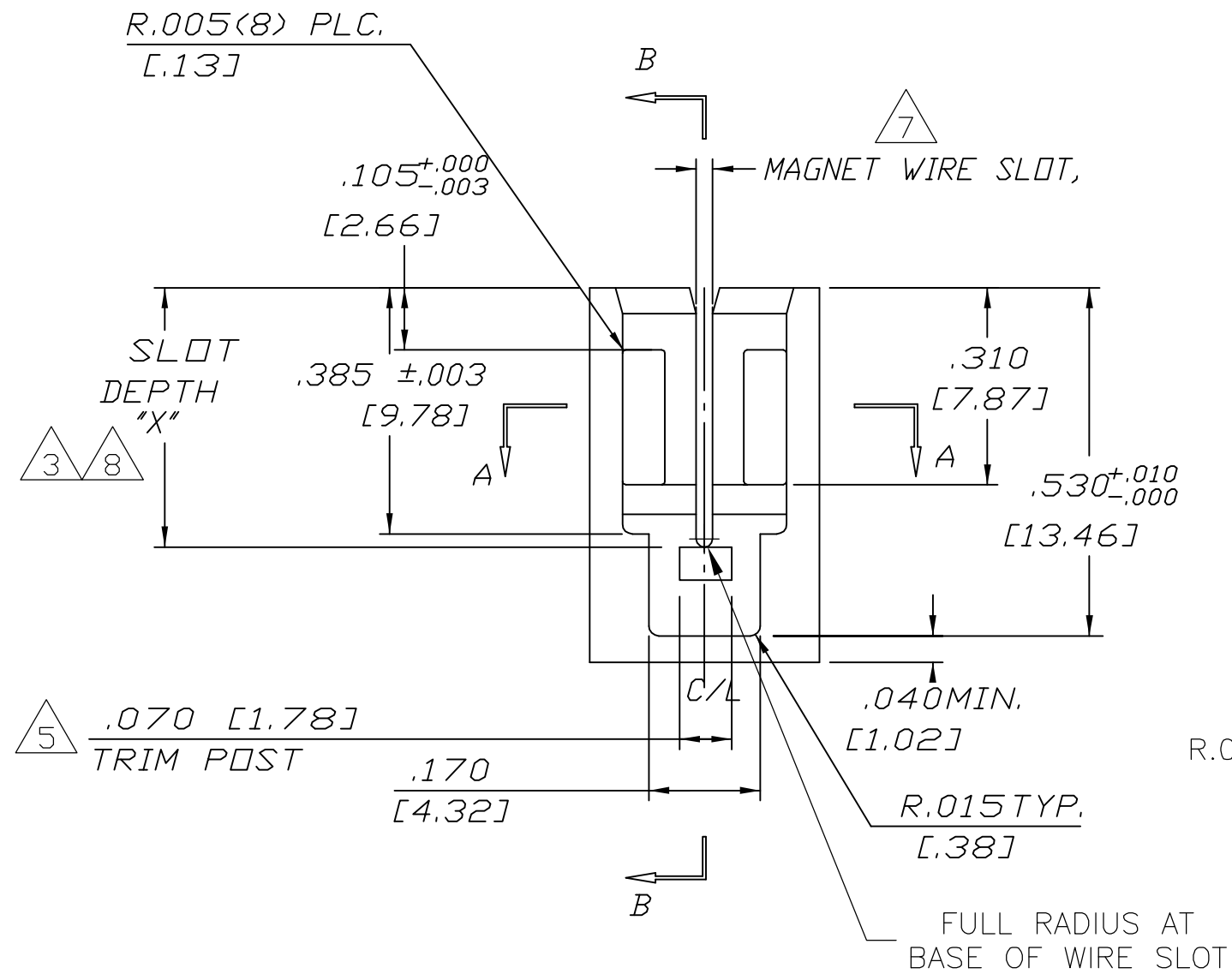


THIS DRAWING IS UNPUBLISHED. RELEASED FOR PUBLICATION
 © COPYRIGHT BY TYCO ELECTRONICS CORPORATION. ALL RIGHTS RESERVED.

LOC		DIST		REVISIONS			
P	LTR	DESCRIPTION		DATE	DWN	APVD	
AF	50	A	REV PER ECR 05-012606	03NOV05	JR	KR	



1. DIMENSIONS SPECIFIED MAY VARY PER CUSTOMER APPLICATION, DO NOT TOOL WITHOUT TYCO ELECTRONICS REVIEW AND APPROVAL.
2. TYCO ELECTRONICS REQUIRES THE FOLLOWING INFORMATION IN ORDER TO APPROVE THE CUSTOMERS APPLICATION DRAWING: MAGNET WIRE RANGE, LEAD WIRE RANGE AND INSULATION THICKNESS.
3. MAGNET WIRE COIL MUST NOT EXCEED HEIGHT OF MAGNET WIRE SLOT AS SHOWN.
4. MATERIAL RECOMMENDED: NYLON 6/6, 30% GLASS FILLED. OTHER MATERIALS ARE ACCEPTABLE HOWEVER, CONSULT TYCO ELECTRONICS FOR SPECIFICATIONS.
5. MAGNET WIRE SMALLER THAN 30 AWG ($\phi .010$) REQUIRES MAGNET WIRE TO BE TIED OFF. SEE WRAP POST DRAWING #1601447.
6. MUST MAINTAIN SLOT THICKNESS .0235 ($\phi .60$) INCLUDING DRAFT ANGLE FROM BOTTOM OF POCKET TO .015 [0.38] MINIMUM ABOVE BASE OF WIRE SLOT.
7. SIZE THIS SLOT FOR LARGEST WIRE DIA. CONSULT MOLD VENDOR IF SMALLER THAN .020 [0.51] IS TO BE SPECIFIED
8. REFER TO TABLE, CONSULT TYCO ELECTRONICS IF WIRE SIZE TO BE USED OVERLAP THE RANGES SHOWN.
9. SLOT DEPTH DIMENSIONS ARE FOR CONNECTING ONE MAGNET WIRE WITH A MOVING BEAM SIAMEZE CONTACT. CONSULT TYCO ELECTRONICS FOR BIFILAR (2 WIRE) CONNECTIONS.



MAGNET WIRE SIZE AWG [mm DIA]	SLOT DEPTH "X" ±0.003 [±0.08] 9
#18-#21.5 [1.02-0.69]	.450 [10.92]
#22-#25.5 [0.65-0.43]	.418 [10.62]
#26-#29.5 [0.41-0.27]	.410 [10.41]
#30-#34 [0.25-0.16]	.405 [10.29]

THIS DRAWING IS A CONTROLLED DOCUMENT.		DWN 27MAR2002 MICHAEL S. FEHER	Tyco Electronics Corporation Harrisburg, PA 17105-3608	
DIMENSIONS: INCHES		CHK 27MAR2002 GENE JACONO		
TOLERANCES UNLESS OTHERWISE SPECIFIED:		APVD 27MAR2002 KURT A. RANDOLPH	NAME SIAMEZE LATCH TAB POCKET SPEC	
0 PLC ± - 1 PLC ± - 2 PLC ± .010 3 PLC ± .005 4 PLC ± - ANGLES ± 1'		PRODUCT SPEC	SIZE CAGE CODE DRAWING NO A2 00779 C=1601423	
MATERIAL 4		FINISH -	RESTRICTED TO -	
CUSTOMER DRAWING		WEIGHT -	SCALE 1:1 SHEET 1 of 1 REV A	

1601423