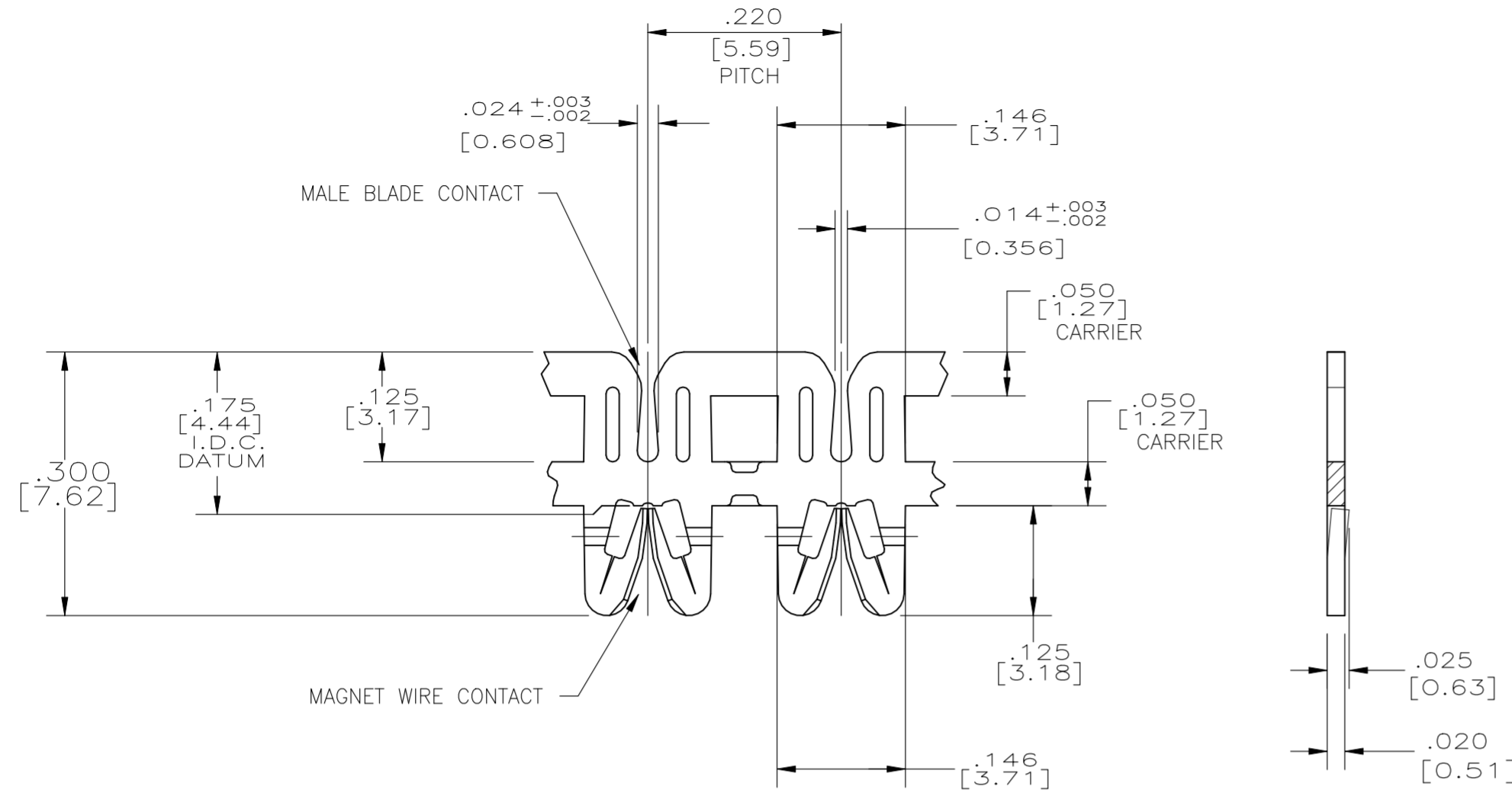
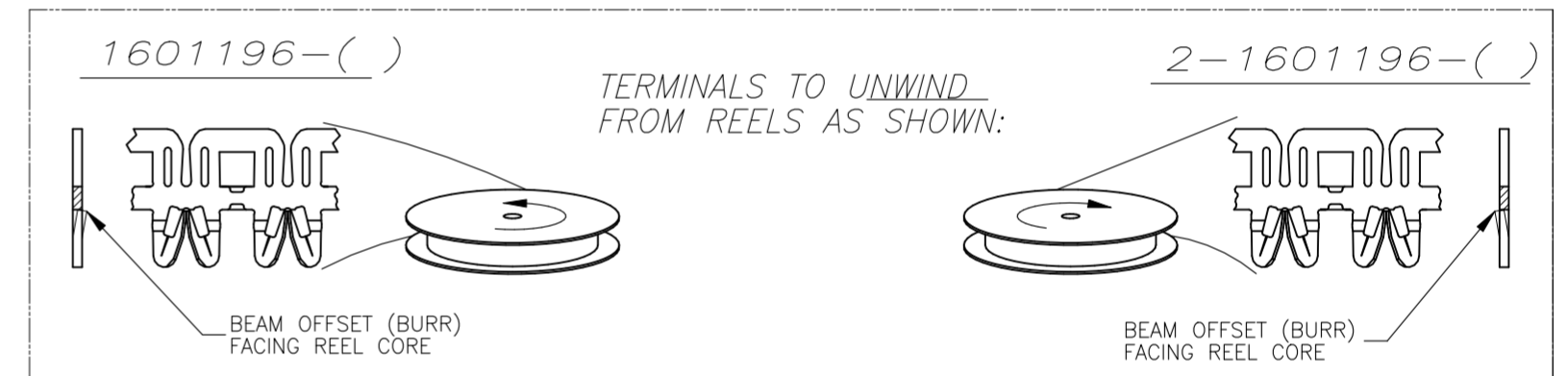
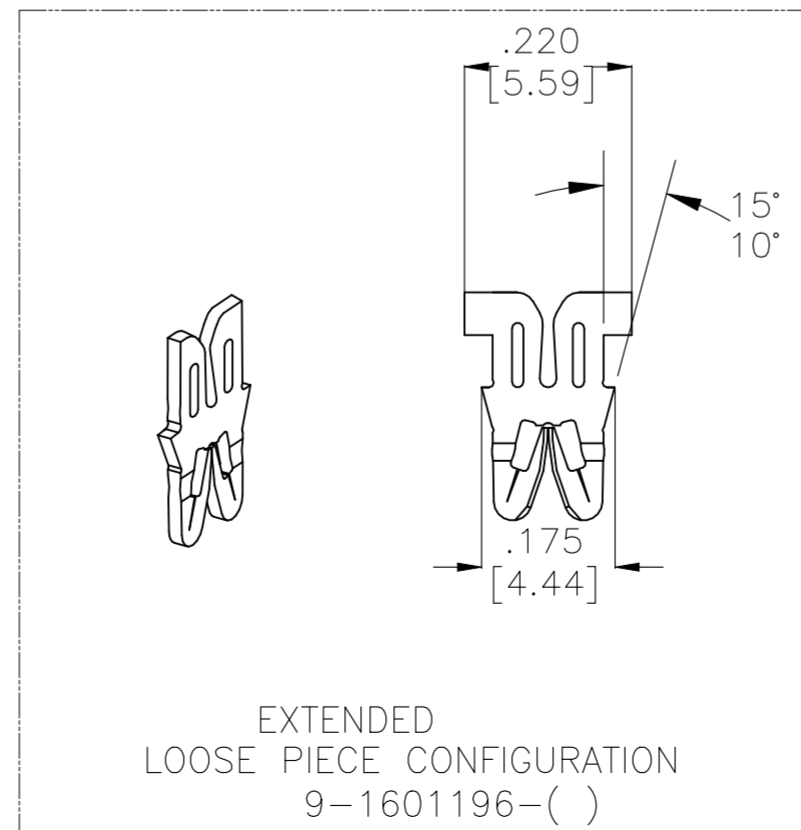
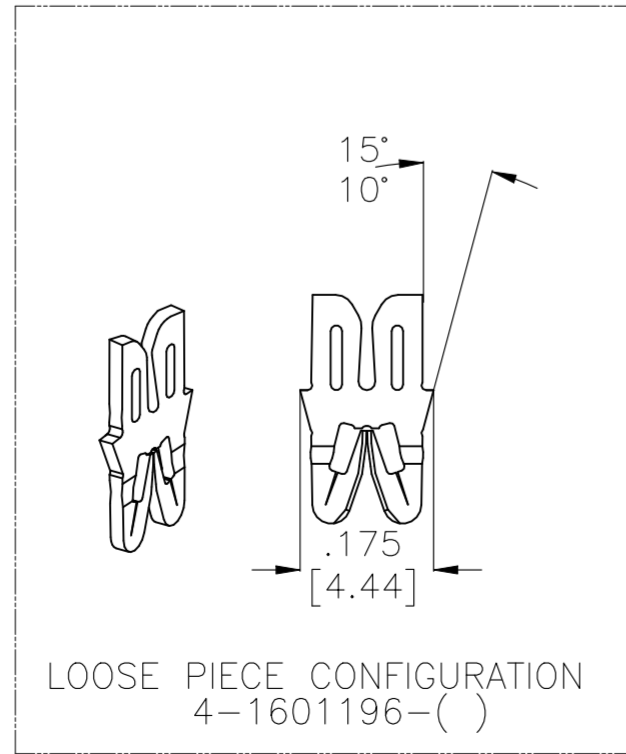
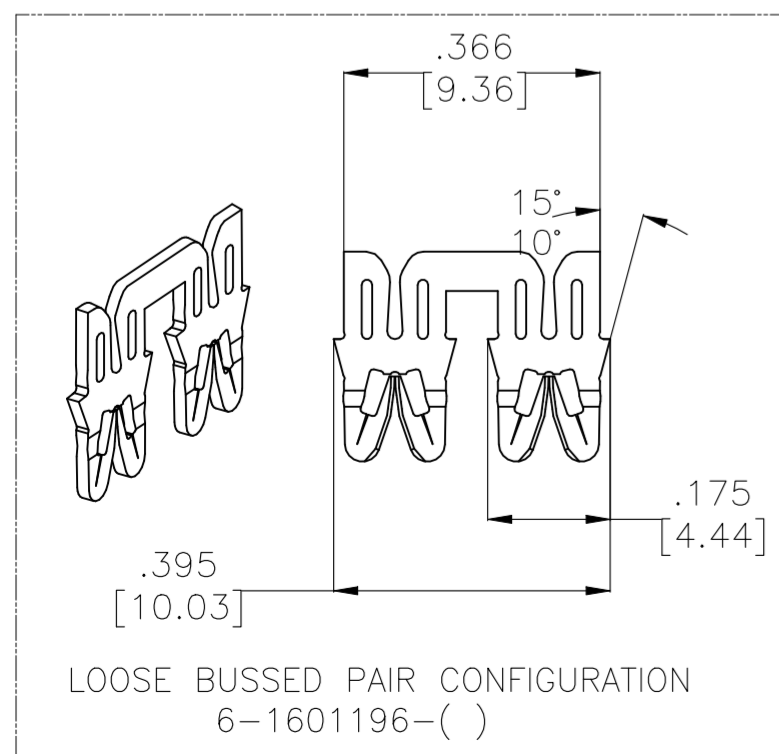
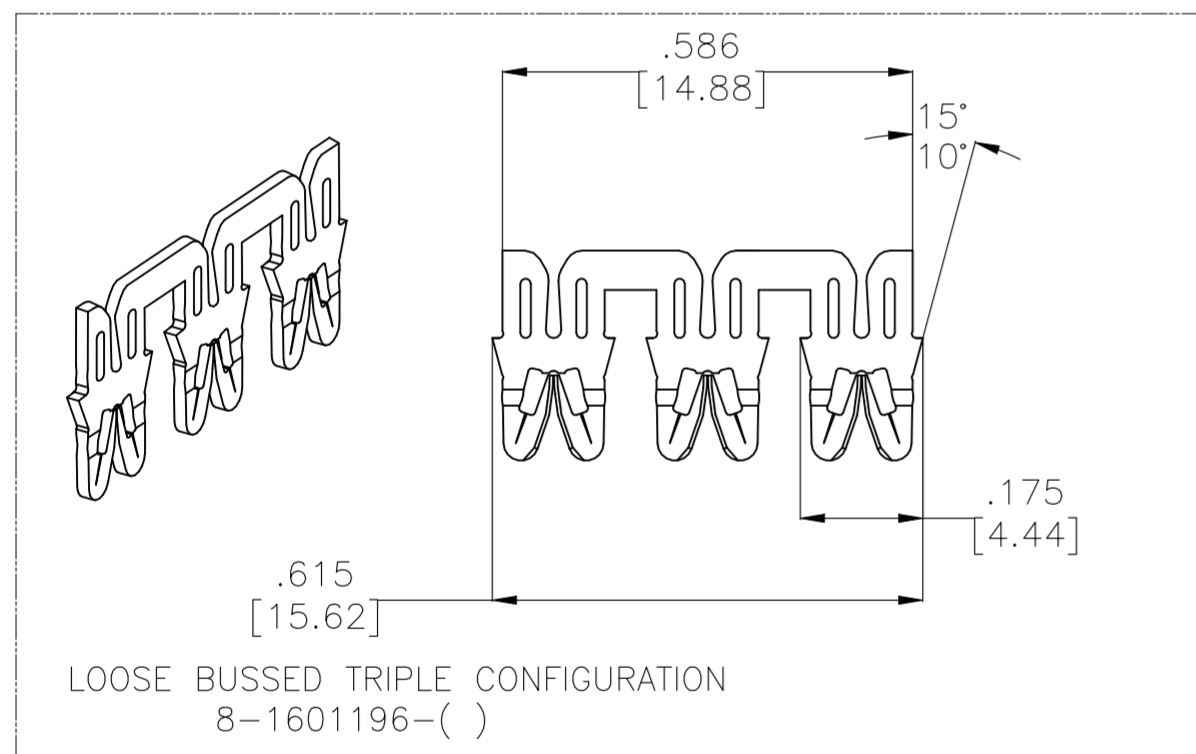


REVISIONS					
P	LTR	DESCRIPTION	DATE	DWN	APVD
	B6	RELEASE PER ECR-24-210264	22MAY2024	FZ	JH



- 1 SPECIFICATIONS:
MAGNET WIRE #18 - #34 AWG,
.006"(0.16MM)-.040"(1.02MM) DIA COPPER.
OTHER SIZES MAY BE ACCOMMODATED,
CONSULT TYCO ELECTRONICS FOR APPROVAL.
MALE BLADE .020" (0.5mm) THICK BRASS
- 2 POCKET RECOMMENDATION: #1601426
- 3 TERMINAL APPLICATION TO COMPLY WITH TYCO ELECTRONICS SPECIFICATION 114-13166 FIGURE 11.
- 4 PRELIMINARY - NOT FOR PRODUCTION
- 5 TWO (2) TERMINALS SHOWN FOR ILLUSTRATION PURPOSES ONLY.
- 6 PRE-PRODUCTION - FASR REQUIRED.
- 7 PRODUCT SPECIFICATION TO COMPLY WITH 108-2293



N/A	UNPLATED	4-7-1601196-5
N/A	UNPLATED	4-7-1601196-5
N/A	POST TIN OVER NICKEL	4-6-1601196-3
N/A	POST TIN OVER NICKEL	4-4-1601196-3
N/A	UNPLATED	4-9-1601196-1
N/A	UNPLATED	4-8-1601196-1
N/A	UNPLATED	4-6-1601196-1
CORRUGATED REEL	UNPLATED	2-1601196-1
CORRUGATED REEL	UNPLATED	4-1601196-4
PLASTIC REEL	POST TIN OVER NICKEL	1601196-3
CORRUGATED REEL	POST TIN OVER NICKEL	1601196-2
CORRUGATED REEL	UNPLATED	1601196-1
REEL	FINISH	PART NUMBER

THIS DRAWING IS A CONTROLLED DOCUMENT.		DWN MICHAEL S. FEHER 25MAY2004	TE Connectivity	
DIMENSIONS: mm [INCHES]		CHK GENE JACONO 25MAY2004	STANDARD RANGE HIGH CARRIER WIRE TO BLADE SIAMEZE TERMINAL	
TOLERANCES UNLESS OTHERWISE SPECIFIED:		APVD GENE JACONO 25MAY2004	NAME	
0 PLC ± -		PRODUCT SPEC 108-2085	APPLICATION SPEC	
1 PLC ± -		2 PLC ± .01[0.25]	SIZE A2	
3 PLC ± .005[0.13]		4 PLC ± -	CAGE CODE 00779	
ANGLES ± 2°		FINISH SEE TABLE	DRAWING NO C=1601196	
MATERIAL BRASS, SPRING HARD		WEIGHT 0.10	RESTRICTED TO	
		CUSTOMER DRAWING	SCALE 1:1	
			SHEET 1 of 1	
			REV B6	