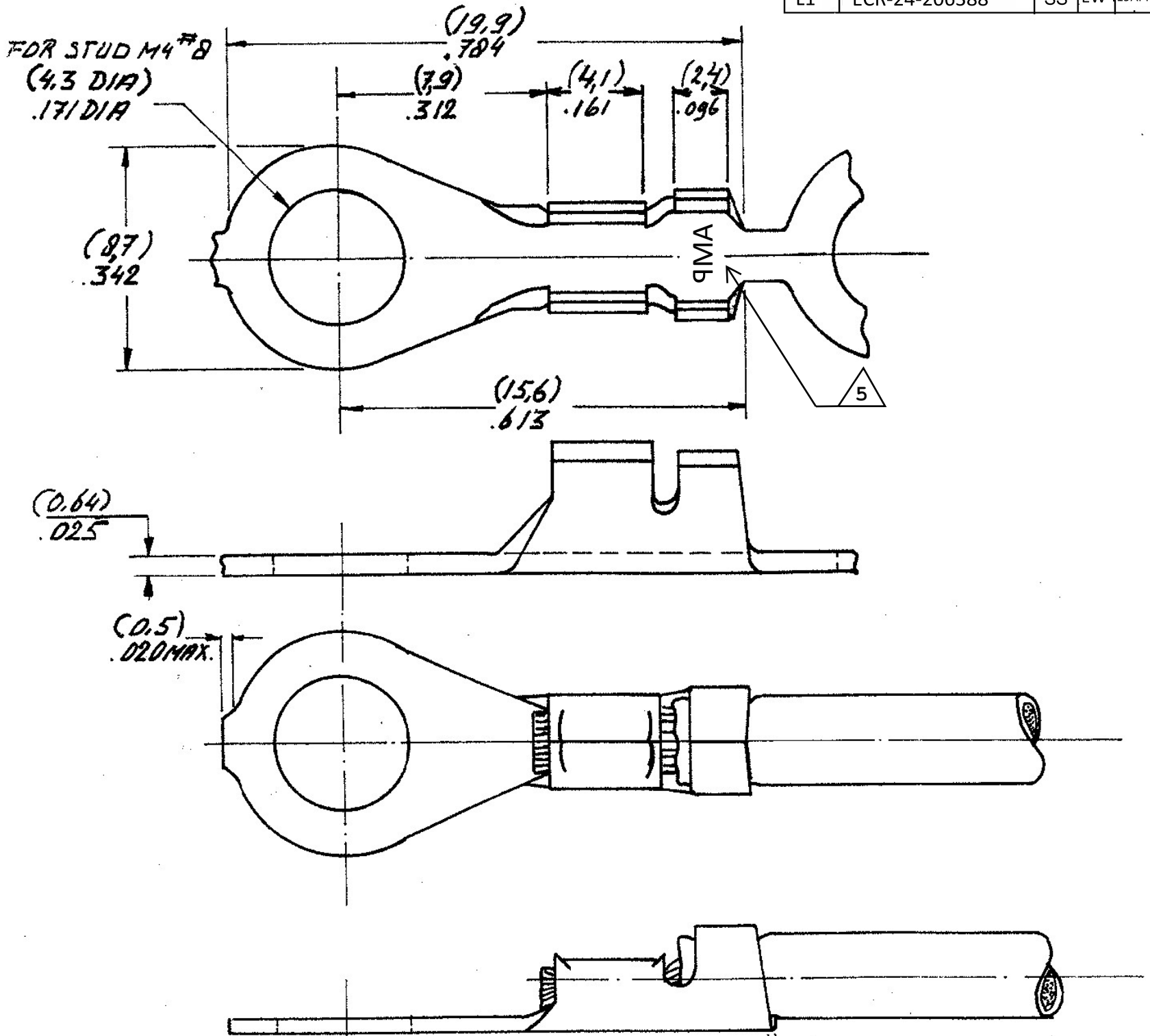


DRAWING MADE IN AMERICAN PROJECTION

LTR	REVISION RECORD	DWN	CHK	DATE
L1	ECR-24-206388	SS	EW	19APR2024

C-160101



- 5 AMP LOGO
- 4 OBSOLETE PARTS: OBSOLETE CIS STREAMLINING PER D.RENAUD/D.SINISI
- 1 FOR USE ON MINIATURE APPLICATORS (LEFT-RIGHT FEED) AMP. DISTRIBUTOR APPLICATION
- 2 FOR USE ON STANDARD AND MINIATURE APPLICATORS.
- 3 REELED WITH PAPER COVER.

**CUSTOMER COPY FOR REFERENCE ONLY**



160101-9	STEEL	NICKELPLATED
160101-8	PHOSPH. BRONZE	---
160101-7	BRASS	---
160101-6	STEEL	NICKELPLATED
160101-4	BRASS	---
160101-3	PHOSPH. BRONZE	---
160101-2	BRASS	TIN PLATED
160101-1	BRASS	---

WIRE-RANGE 20-16 AWG 0.5-1.5 mm <sup>2</sup>	INSUL-RANGE .080-.120 DIA (2.0-3.0)	FIRST USED
--	---	------------

ORDER NO.	MATERIAL	PLATING	SCALE	SIZE	NO	REV
DR U. SUSTEREN	DATE 11.80	DE	DATE	N.T.S.	A	C-160101
CHW	DATE 11.80	APP	DATE 29.1.80	NAME RING TONGUE WITH INS. SUPPORT		

DIMENSIONS IN (MM) DO NOT SCALE PRINT