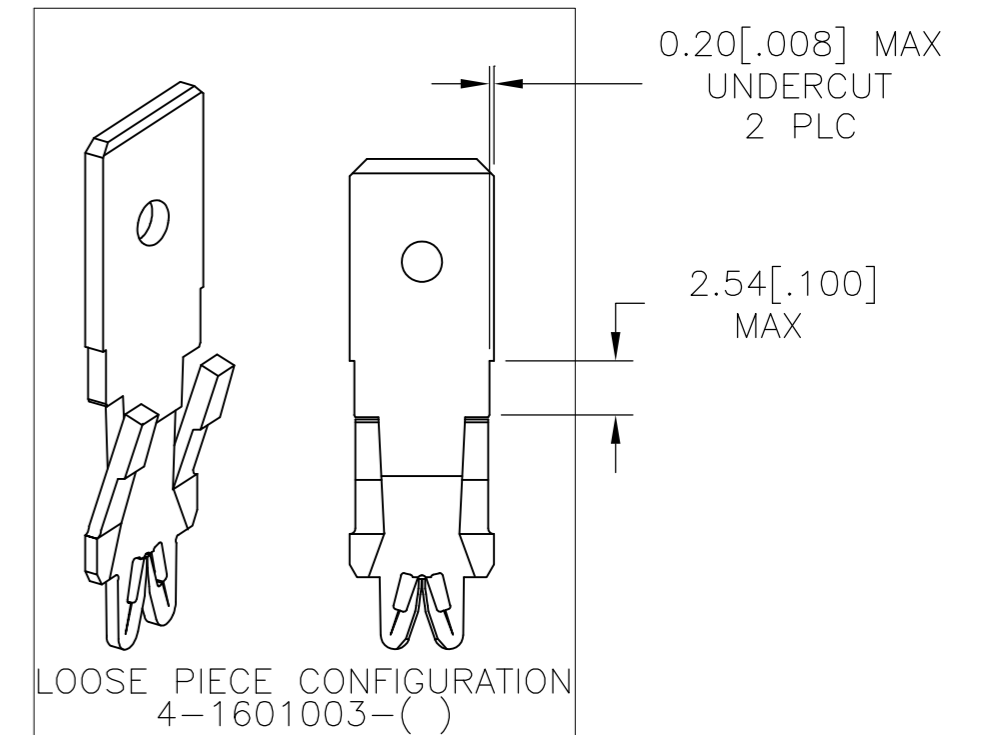
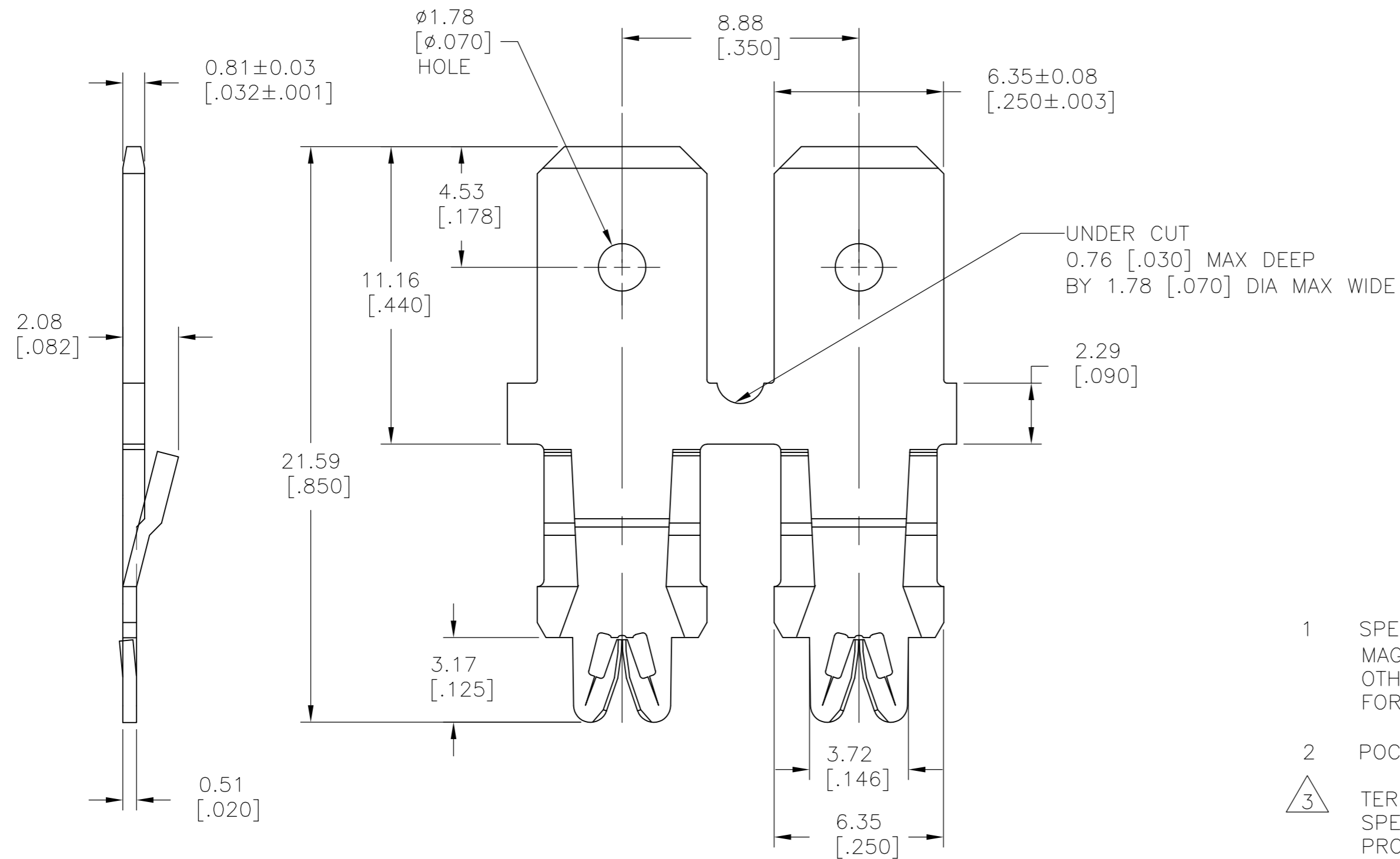


THIS DRAWING IS UNPUBLISHED. RELEASED FOR PUBLICATION
 © COPYRIGHT BY TYCO ELECTRONICS CORPORATION. ALL INTERNATIONAL RIGHTS RESERVED.

LOC	DIST	REVISIONS			
P	LTR	DESCRIPTION	DATE	DWN	APVD
AF	50	B1	REVISED PER ECR-10-013120	25JUN10	HMR GJ



- SPECIFICATIONS:
MAGNET WIRE #34-#18 AWG, 0.16 [.006]-1.02 [.040] DIA. COPPER
OTHER SIZES MAY BE ACCOMMODATED, CONSULT TYCO ELECTRONICS FOR APPROVAL.
- POCKET RECOMMENDATION: #1601423
- TERMINAL APPLICATION TO COMPLY WITH TYCO ELECTRONICS SPECIFICATION 114-13166. CONSULT TYCO ELECTRONICS PRODUCT ENGINEERING FOR THE PROPER INSERTION DEPTH
- TWO(2) TERMINALS SHOWN FOR ILLUSTRATION PURPOSES ONLY.



OBSELETE

-	-	-
-	-	-
-	-	-
-	-	-
Post Tin Plate over Copper Underplate	131-005-001	2-1601003-2
Unplated	131-005-000	2-1601003-1
FINISH	REFERENCE PART NUMBER	TE PART NUMBER
THIS DRAWING IS A CONTROLLED DOCUMENT.	DWN J.WELLER 11JAN2002 CHK M.FEHER 11JAN2002 APVD K.RANDOLPH 11JAN2002	Tyco Electronics Corporation Harrisburg, PA 17105-3608
DIMENSIONS: mm [INCHES]	TOLERANCES UNLESS OTHERWISE SPECIFIED: 0 PLC ± - 1 PLC ± - 2 PLC ± 0.13 [.005] 3 PLC ± - 4 PLC ± - ANGLES ± 2°	NAME 6.35 X 0.81 LATCH TAB SIAMEZE
MATERIAL BRASS, 1/2 HARD	FINISH SEE TABLE	SIZE A2 CAGE CODE 00779 DRAWING NO C=1601003 RESTRICTED TO -
CUSTOMER DRAWING		SCALE 6:1 SHEET 1 OF 1 REV B1