

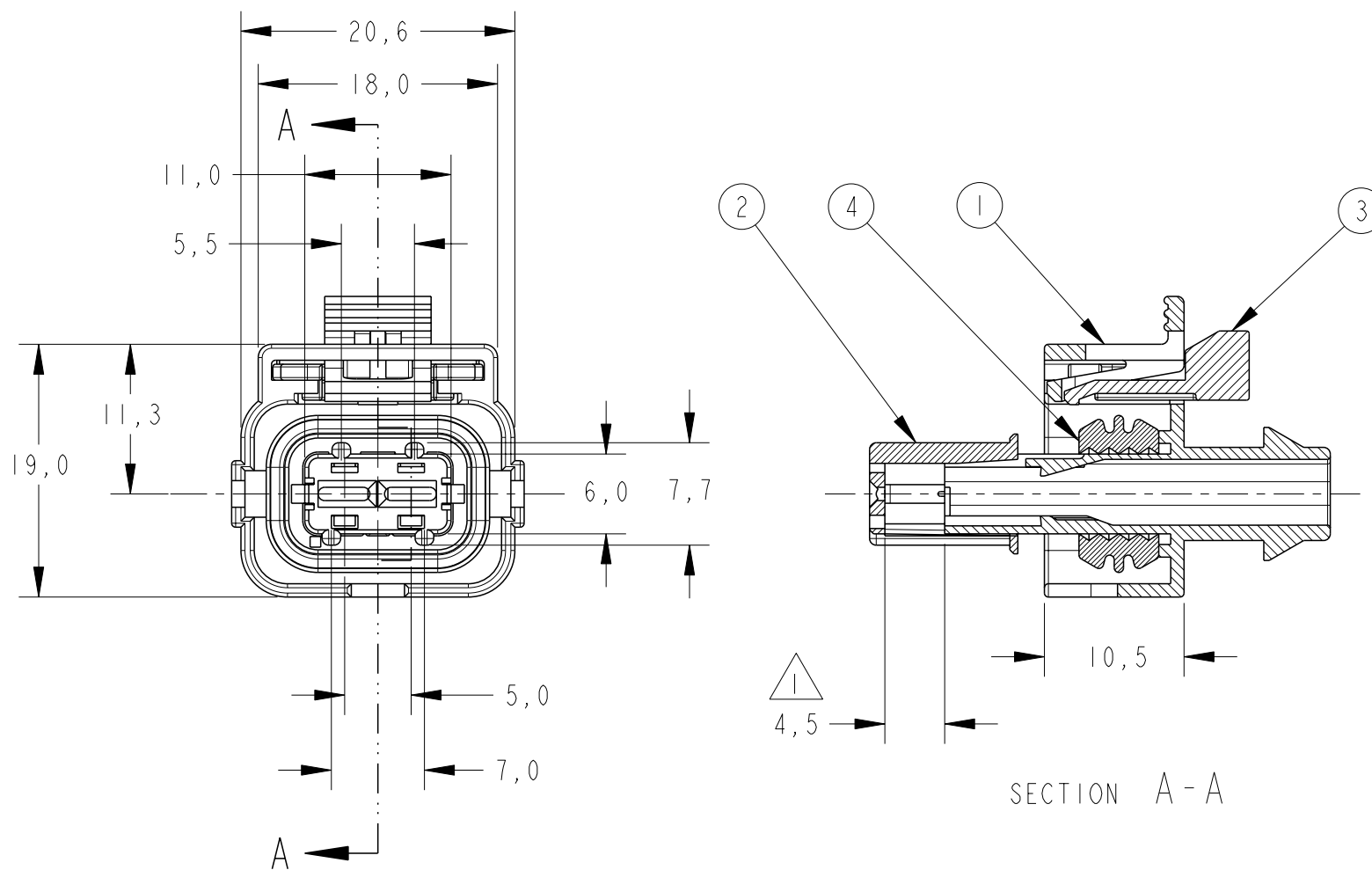
LOC AP DIST -

REVISIONS

P	LTR	DESCRIPTION	DATE	DWN	APVD
	F2	REVISED DESIGN ECO-12-000766	16JAN2012	NCL	MLO



GRAVAÇÃO MARKING
LOGOTIPO TE TE LOGO
CÓDIGO PAÍS PRODUTOR MANUFACTURER COUNTRY CODE
NOMENCLATURA MATERIAL MATERIAL NOMENCLATURE
NÚMERO COMPONENTE TE TE COMPONENT NUMBER
NÚMERO CAVIDADE CAVITY NUMBER
IDENTIFICAÇÃO CIRCUITO CIRCUIT IDENTIFICATION
PAÍS PRODUTOR MANUFACTURER COUNTRY
REVISÃO DA PEÇA PART REVISION



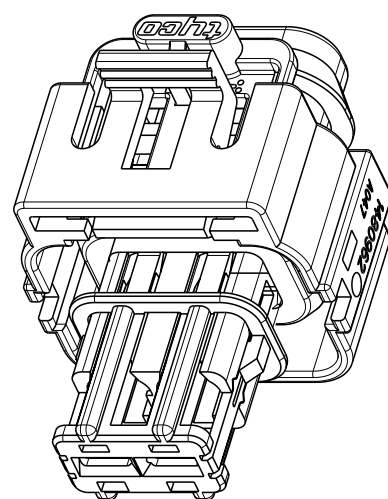
SECTION A-A

△ - POSIÇÃO DE PRÉ TRAVAMENTO DA TRAVA SECUNDÁRIA, FORNECIDO CONFORME MOSTRADO.

△ - PRE LOCK POSITION OF SECONDARY LOCK, SUPPLIED AS SHOWN.

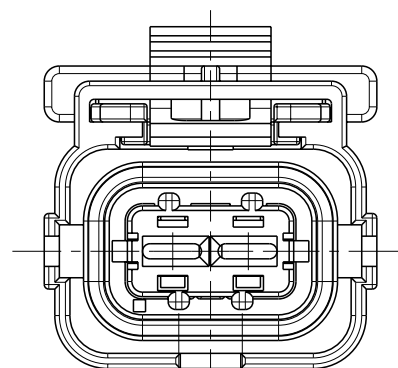
2 - TERMINAIS E SELOS: VIDE DESENHO GRUPO DE PRODUTO - C 1355038.

2 - TERMINALS AND SEALS: SEE PRODUCT GROUP DRAWING - C 1355038.



PERSPECTIVE VIEW SCALE 2:1

1599099-2



SCALE 2:1

REQ. PER ASSY	ITEM	DESCRIPTION	MATERIAL	FINISH
1	- 3	CONECTOR POSITION ASSURACE	PA 6.6 +30%F.V.	AMARELO / YELLOW
1	1 4	SEAL, 2 POSN., RCPT.	SILICONE	LARANJA / ORANGE
-	1 3	CONECTOR POSITION ASSURACE	PA 6.6 +30%F.V.	AMARELO / YELLOW
1	- 2	SPACER, 2 POSN., RCPT.	PA 6.6 +15%F.V.	AZUL / BLUE
-	1 2	SPACER, 2 POSN., RCPT.	PA 6.6 +15%F.V.	AMARELO / YELLOW
1	- 1	HOUSING, 2 POSN., RCPT.	PA 6.6 +30%F.V.	CINZA / GRAY
-	1 1	HOUSING, 2 POSN., RCPT.	PA 6.6 +30%F.V.	PRETO / BLACK

THIS DRAWING IS A CONTROLLED DOCUMENT.

DWN M.R.BRIZ 06SEP2002

CHK P.L.FARIA 06SEP2002

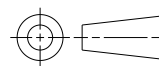
APVD L.W.PRADO 06SEP2002

NAME HOUSING ASSY., 2 POSITION, SENSOR FLAT, RECEPTACLE.



DIMENSIONS: mm

TOLERANCES UNLESS OTHERWISE SPECIFIED:



0 PLC ±  
 1 PLC ±0,3  
 2 PLC ±  
 3 PLC ±  
 4 PLC ±  
 ANGLES ±1°  
 FINISH -

MATERIAL -

PRODUCT SPEC -

APPLICATION SPEC -

WEIGHT -

SIZE A3 CAGE CODE 00779 DRAWING NO C-1599099 RESTRICTED TO -

CUSTOMER DRAWING SCALE 2:1 SHEET 1 OF 1 REV F2