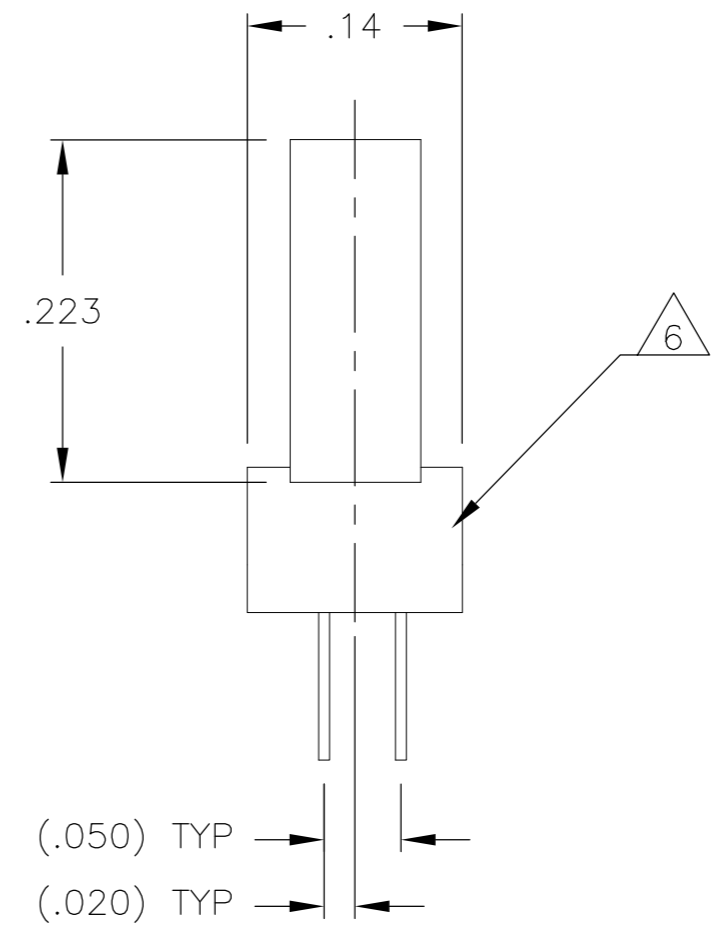
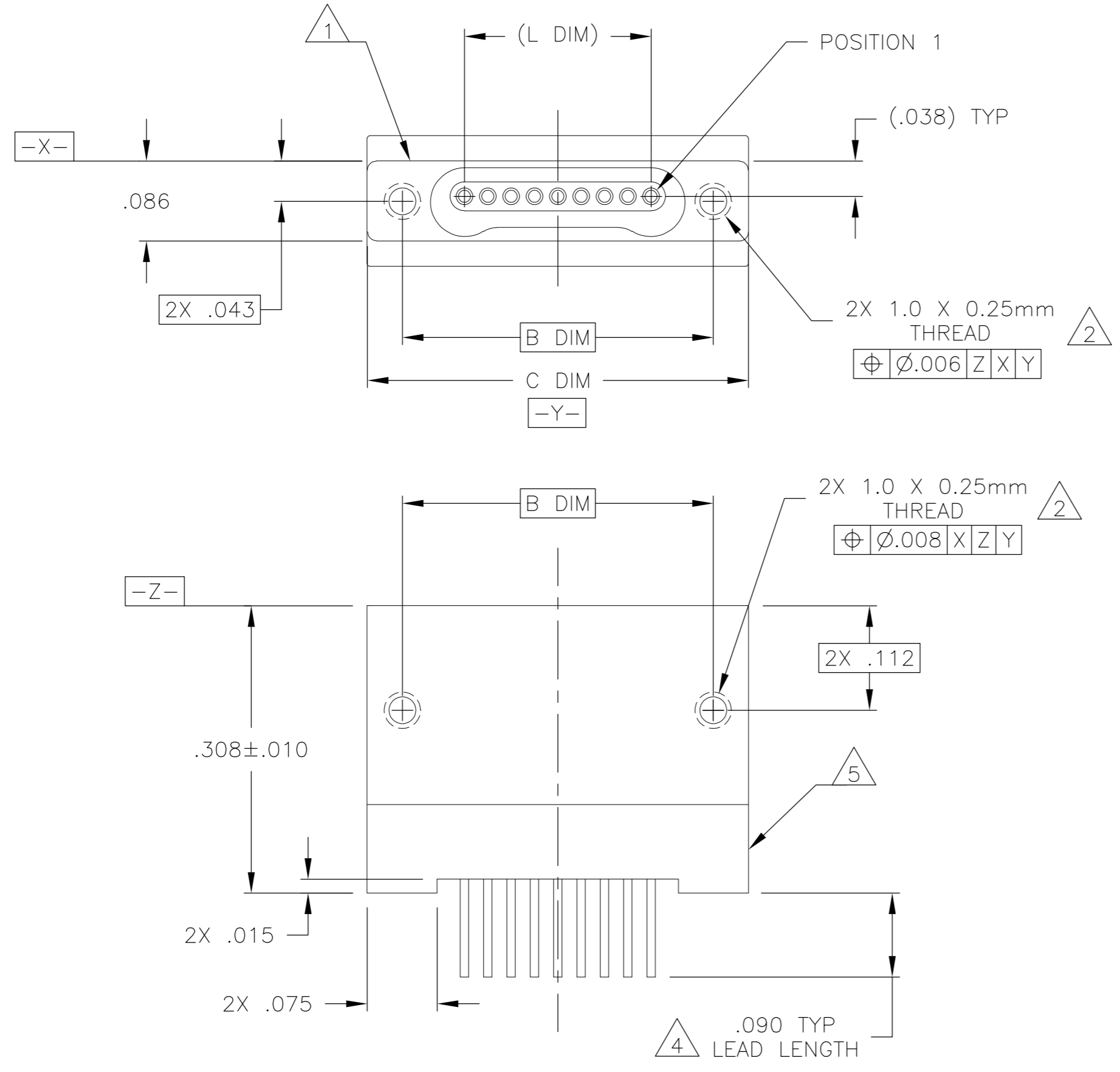


THIS DRAWING IS UNPUBLISHED. RELEASED FOR PUBLICATION
 © COPYRIGHT - By - ALL RIGHTS RESERVED.

LOC		DIST		REVISIONS			
P	LTR	DESCRIPTION	DATE	DWN	APVD		
	B1	UPDATE PER ECO-12-021131	3 DEC 12	CAS	MKS		



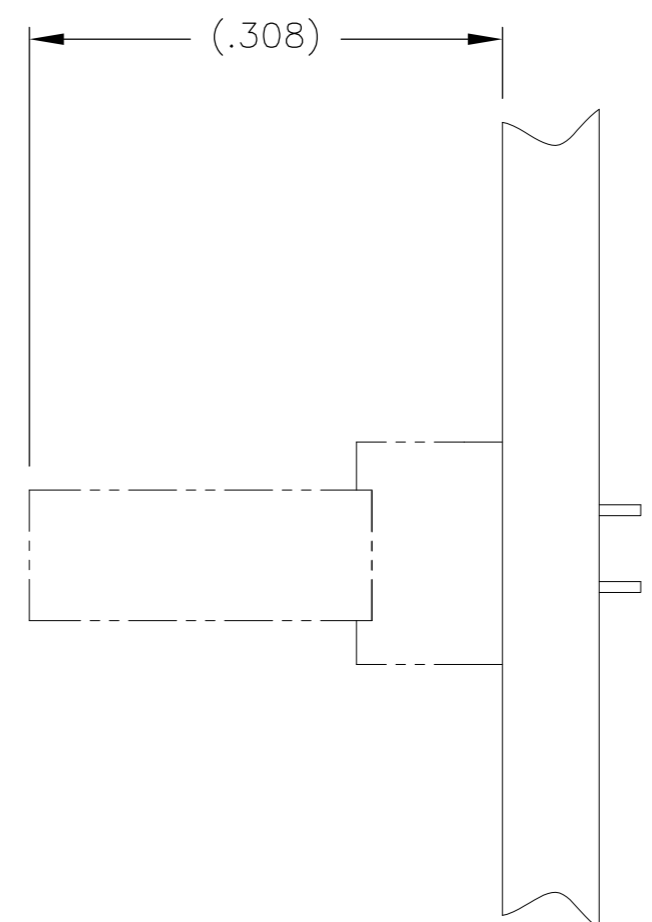
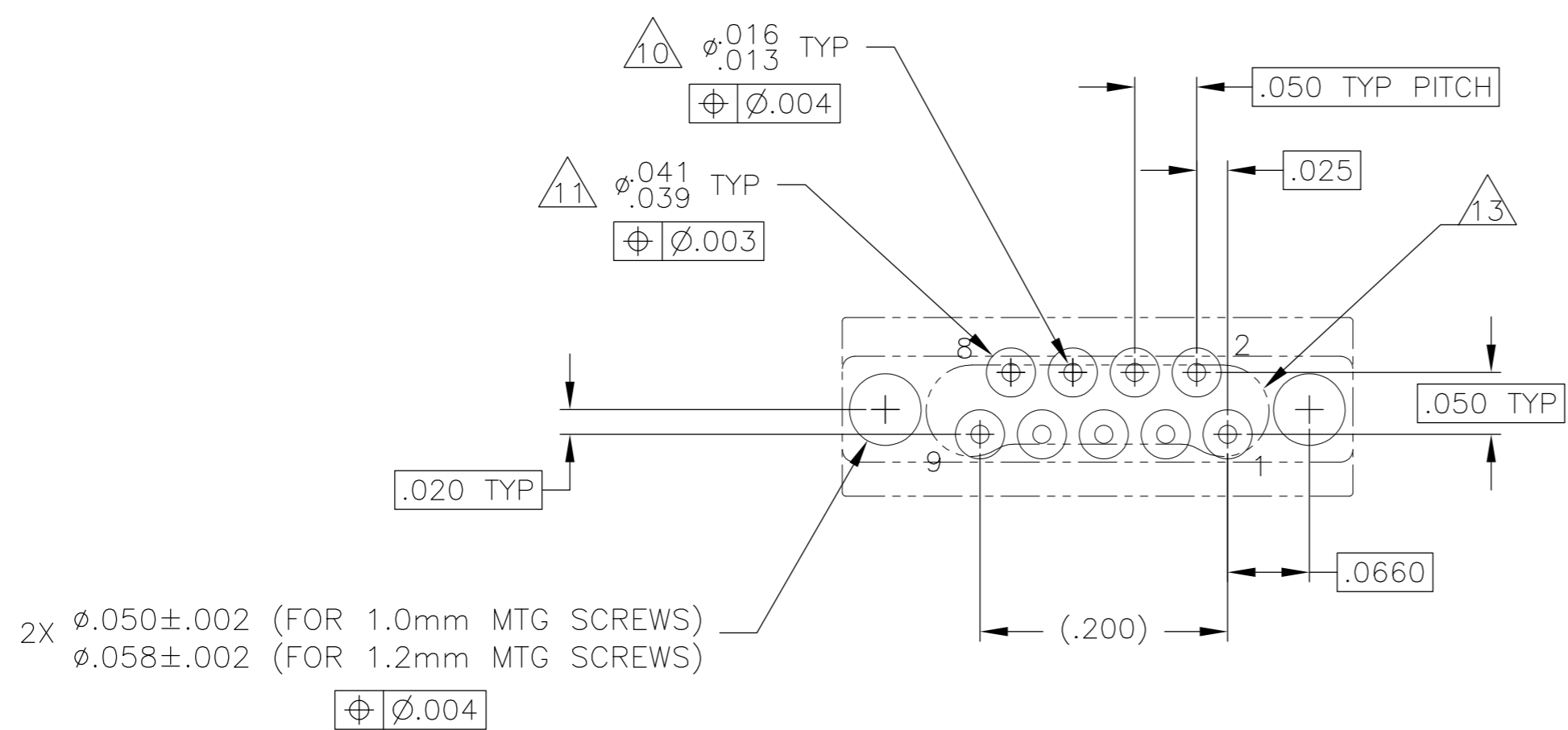
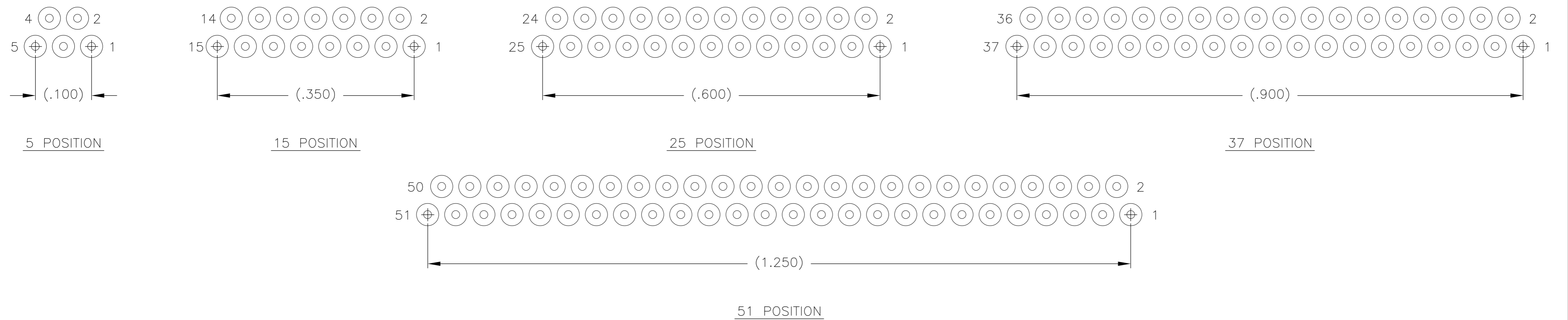
SIZE	B DIM	C DIM ±.0050	(L DIM)
05	.233	.3085	(.100)
09	.333	.4085	(.200)
15	.483	.5585	(.350)
25	.733	.8085	(.600)
37	1.033	1.1085	(.900)
51	1.383	1.4585	(1.250)

- 1 SHELL OPTIONS (TO BE SPECIFIED IN NANONICS PART NUMBER):
 METAL: 6061-T6 ALUMINUM, ELECTROLESS NICKEL PLATED PER SAE-AMS-C-26074 OR SAE-AMS-2404 (STANDARD) OR GOLD PLATED PER ASTM B488
 303 STAINLESS STEEL, PASSIVATED PER SAE-AMS-2700
 INSULATOR MATERIAL FOR ALL METAL SHELLS IS LIQUID CRYSTAL POLYMER (LCP) PER MIL-M-24519 OR PER ASTM D5138
 PLASTIC: LIQUID CRYSTAL POLYMER (LCP) PER MIL-M-24519 OR PER ASTM D5138
- 2 STANDARD 1.0 X 0.25mm MOUNTING AND JACKSCREW THREADS ARE SHOWN FOR REFERENCE ONLY AND MUST BE SPECIFIED IN THE NANONICS PART NUMBER WHEN REQUIRED. 1.2 X 0.25mm THREADS ALSO AVAILABLE.
- 3 MOUNTING HARDWARE IS AVAILABLE WITH THIS CONFIGURATION (NOT SHOWN). HARDWARE MUST BE SPECIFIED IN THE NANONICS PART NUMBER. CONSULT TYCO ELECTRONICS FOR DETAILS.
- 4 LEAD MATERIAL: HH BRASS, GOLD PLATED PER ASTM B488
- 5 LEAD ORGANIZER MATERIAL IS LIQUID CRYSTAL POLYMER PER ASTM D5138
- 6 THROUGH HOLE LEADS ARE EPOXY ENCAPSULATED WITHIN THE LEAD ORGANIZER
- 7 NANONICS TERMINATION CODE: W5
- 8 THIS DRAWING PREVIOUSLY IDENTIFIED AS NANONICS N10138/153

THIS DRAWING IS A CONTROLLED DOCUMENT.		DWN C SCHOLL 26 SEP 05		
DIMENSIONS: INCHES		CHK M. STORRY 26 SEP 05		
TOLERANCES UNLESS OTHERWISE SPECIFIED: 0 PLC ± - 1 PLC ± - 2 PLC ± .010 3 PLC ± .005 4 PLC ± - ANGLES ± 1°		APVD -	NAME	
MATERIAL SEE NOTES		FINISH SEE NOTES	PRODUCT SPEC -	
		APPLICATION SPEC -	RECEPTACLE ASSY, VERTICAL MOUNT, THROUGH HOLE, 1 ROW TO 2 ROW, .050 SPACING, PLASTIC OR METAL, GOLD LEADS, ROHS COMPLIANT	
		WEIGHT -	SIZE A2	
		CUSTOMER DRAWING	CAGE CODE OPJN9	
		SCALE 8:1	DRAWING NO 1589936	
		SHEET 1 of 2	RESTRICTED TO -	
		REV B1		

THIS DRAWING IS UNPUBLISHED. RELEASED FOR PUBLICATION
 © COPYRIGHT - By - ALL RIGHTS RESERVED.

LOC		DIST		REVISIONS			
P	LTR	DESCRIPTION	DATE	DWN	APVD		
-	-	SEE SHEET 1	-	-	-		



TYPICAL PCB LAYOUT $\triangle 9$
 SIZE 09 SHOWN FOR REFERENCE

- $\triangle 9$ POSITIONAL TOLERANCES FOR BASIC DIMENSIONED FEATURES ARE RELATIVE TO FIDUCIALS OR SOME SIMILAR DATUM REFERENCES DEFINED BY PCB DESIGNER.
- $\triangle 10$ PLATED THROUGH HOLES
- $\triangle 11$ SOLDER PADS
- 12 ALL THROUGH HOLE LAYOUTS ARE AS VIEWED FROM TOP OF PCB.
- $\triangle 13$ CONNECTOR ORIENTATION

THIS DRAWING IS A CONTROLLED DOCUMENT.		DWN C SCHOLL 26 SEP 05		
DIMENSIONS: INCHES		CHK M. STORRY 26 SEP 05		
TOLERANCES UNLESS OTHERWISE SPECIFIED:		APVD -	NAME RECEPTACLE ASSY, VERTICAL MOUNT, THROUGH HOLE, 1 ROW TO 2 ROW, .050 SPACING, PLASTIC OR METAL, GOLD LEADS, ROHS COMPLIANT	
0 PLC $\pm -$		PRODUCT SPEC -	SIZE A2	
1 PLC $\pm -$		APPLICATION SPEC -	CAGE CODE OPJN9	DRAWING NO 1589936
2 PLC $\pm .010$		WEIGHT -	RESTRICTED TO -	
3 PLC $\pm .005$		CUSTOMER DRAWING	SCALE 8:1	SHEET 2 of 2
4 PLC $\pm -$			REV B1	
ANGLES $\pm 1^\circ$				
MATERIAL SEE NOTES	FINISH SEE NOTES			