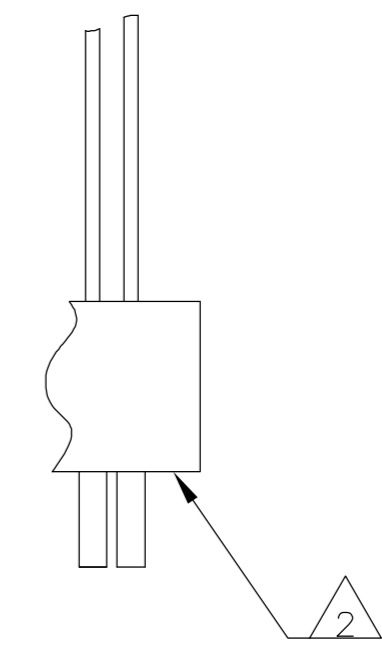
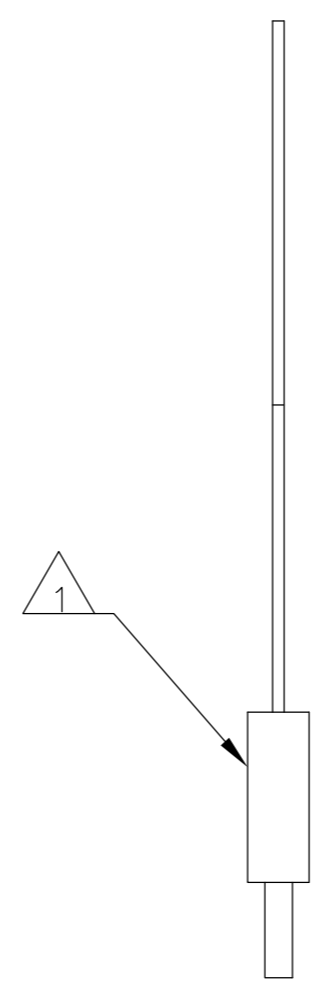
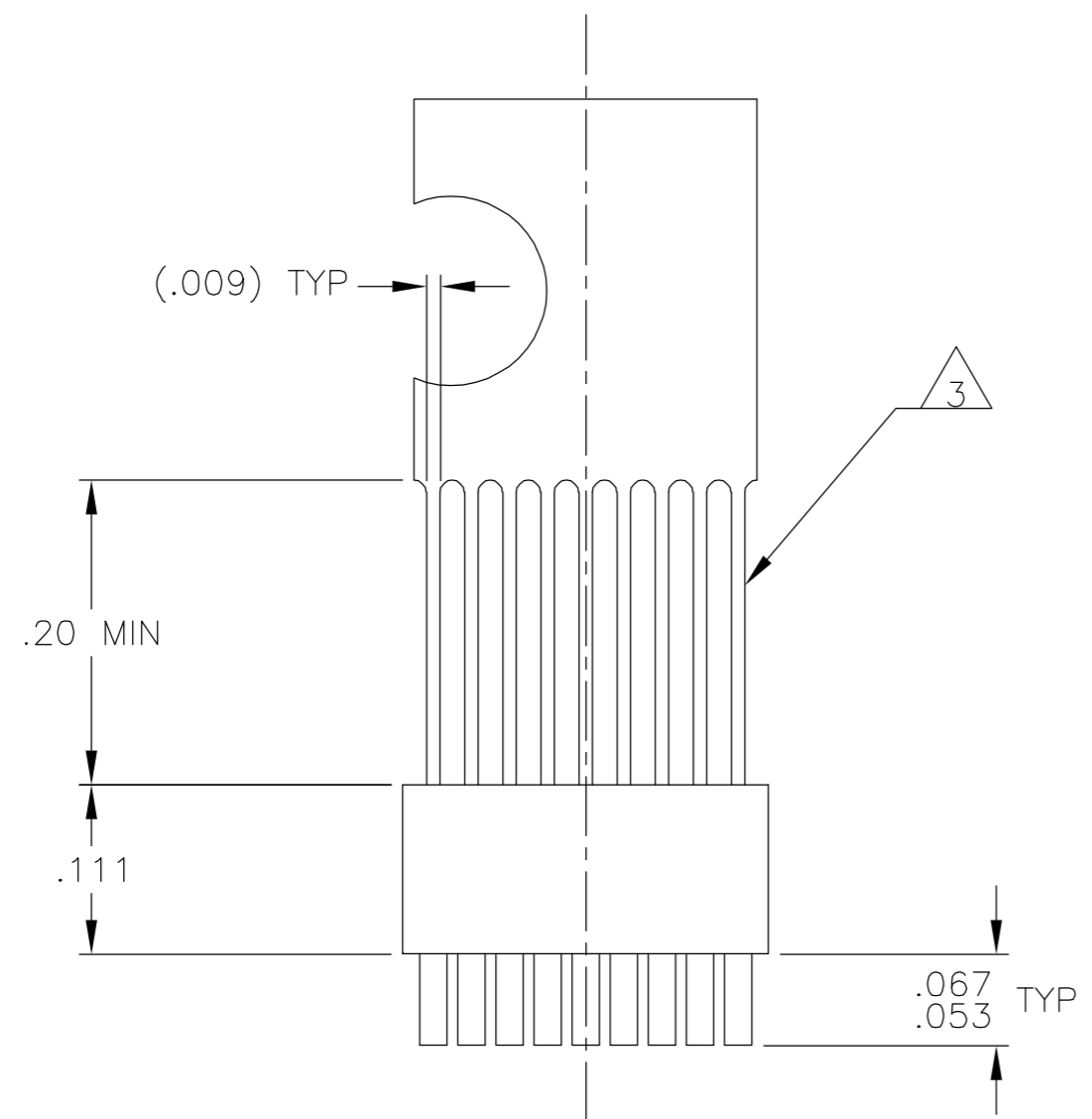


THIS DRAWING IS UNPUBLISHED. RELEASED FOR PUBLICATION  
 © COPYRIGHT BY TYCO ELECTRONICS CORPORATION. ALL RIGHTS RESERVED.

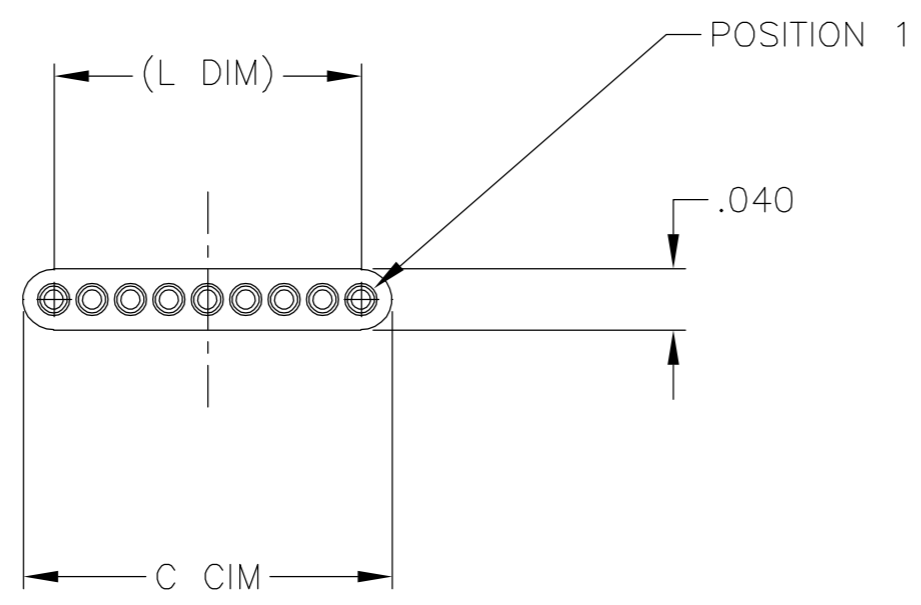
LOC	DIST	REVISIONS					
DF	D0	P	LTR	DESCRIPTION	DATE	DWN	APVD
		A		RELEASE PER 0H2Y-0056-05	2 MAR 05	CAS	MKS



DETAIL A  
 POSITION "T" SHOWN FOR REFERENCE

SIZE	C DIM	(L DIM)
04	.115	(.075)
09	.240	(.200)
15	.390	(.350)

25	.640	(.600)
37	.940	(.900)
51	1.290	(1.250)



- T ○○○○○○○● POSITION 1
- U ○○○○○○○●○ POSITION 2
- V ○○○○○○●○○○ POSITION 3
- W ○●○○○○○○● POSITION 1, AND SECOND TO LAST POSITION
- Y ○○●○○○○○○● POSITION 1, AND THIRD TO LAST POSITION
- Z ○○●○○○○○○○ POSITION 2, AND THIRD TO LAST POSITION

△ POLARIZING POSITIONS, SEE DETAIL A

- △ INSULATOR MATERIAL: LCP (LIQUID CRYSTAL POLYMER) PER ASTM D5138
- △ OPTIONAL POLARIZATION POSITION SHOWN FOR REFERENCE ONLY. IF POLARIZATION GUIDE POST(S) ARE REQUIRED ON THE MATING PLUG, THE CORRESPONDING LOCATION MUST BE SPECIFIED IN THE NANONICS PART NUMBER. THE CONTACT CAVITY IS LEFT EMPTY FOR ACCEPTANCE OF THE PLUG GUIDE POST.
- △ LEAD MATERIAL: HH BRASS, TIN LEAD PLATED 60/40 COMPOSITION PER SAE-AMS-P-81728
- △ WHEN ORDERING THESE SIZES, FIRST CONSULT TYCO ELECTRONICS/NANONICS FOR ADDITIONAL INFORMATION.
- 5 THIS DRAWING PREVIOUSLY IDENTIFIED AS NANONICS N10138/072

THIS DRAWING IS A CONTROLLED DOCUMENT.		DWN C SCHOLL 3 MAR 05	Tyco Electronics Corporation Harrisburg, PA 17105	
DIMENSIONS: INCHES		CHK M STORRY 3 MAR 05	NAME	
TOLERANCES UNLESS OTHERWISE SPECIFIED:		APVD	PRODUCT SPEC	
0 PLC ± - 1 PLC ± - 2 PLC ± .010 3 PLC ± .005 4 PLC ± - ANGLES ± 1°		APPLICATION SPEC	RECEPTACLE ASSEMBLY, UNSHROUDED STRIP, STRAIGHT LEADS, PLASTIC	
MATERIAL SEE NOTES	FINISH SEE NOTES	WEIGHT -	SIZE A2	CAGE CODE 00779
		CUSTOMER DRAWING	DRAWING NO C=1589905	RESTRICTED TO -
		SCALE 8:1	SHEET 1 OF 1	REV A