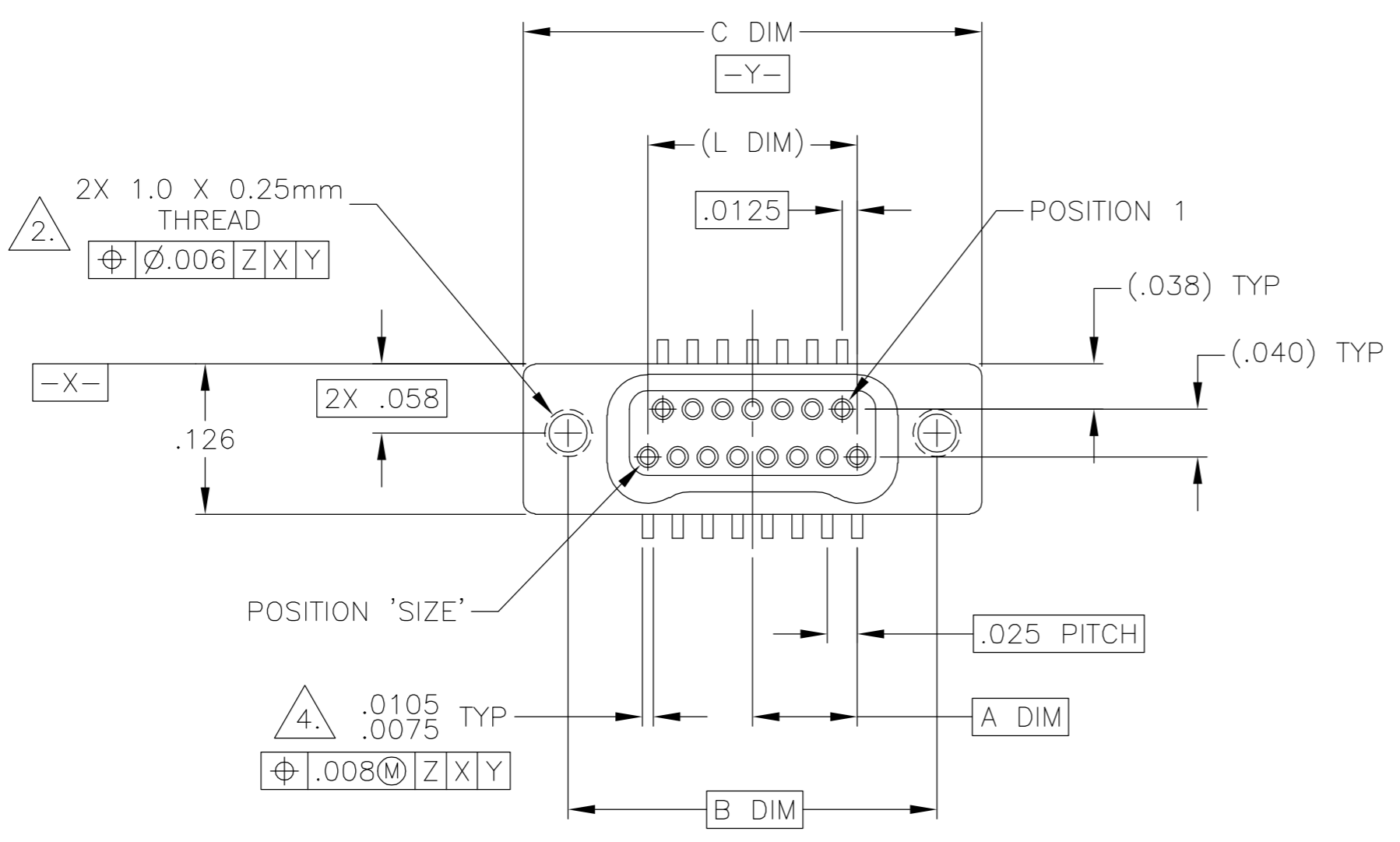
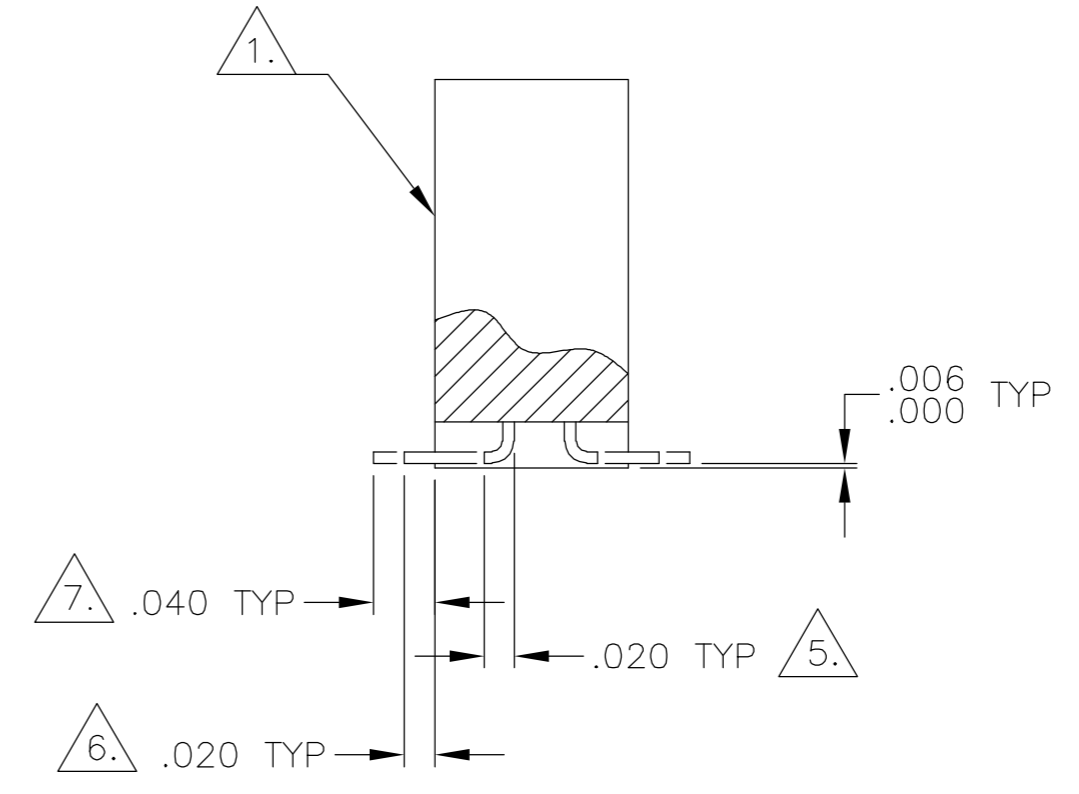
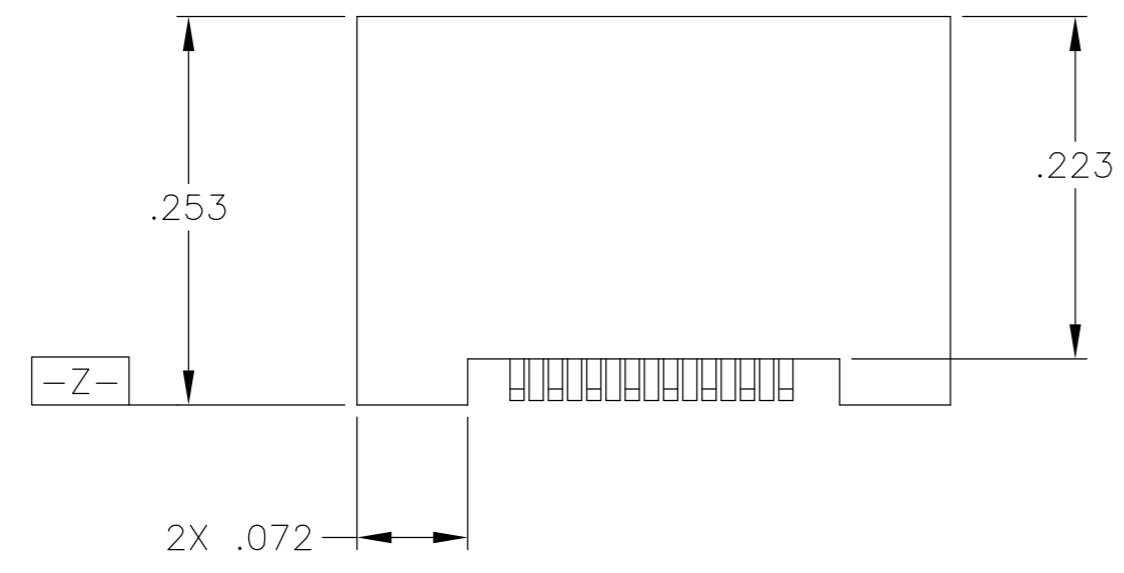


THIS DRAWING IS UNPUBLISHED. RELEASED FOR PUBLICATION  
 © COPYRIGHT BY TYCO ELECTRONICS CORPORATION. ALL RIGHTS RESERVED.

LOC	DIST	REVISIONS					
DF	D0	P	LTR	DESCRIPTION	DATE	DWN	APVD
		B		UPDATE PER 0H2Y-0164-04	12 MAY 04	CAS	MKS



SIZE	A DIM	B DIM	C DIM ±.0050	(L DIM)
09	.050	.229	.3085	(.100)
15	.0875	.304	.3835	(.175)
25	.150	.429	.5085	(.300)
37	.225	.579	.6585	(.450)
51	.3125	.754	.8335	(.625)
65	.400	.929	1.0085	(.800)

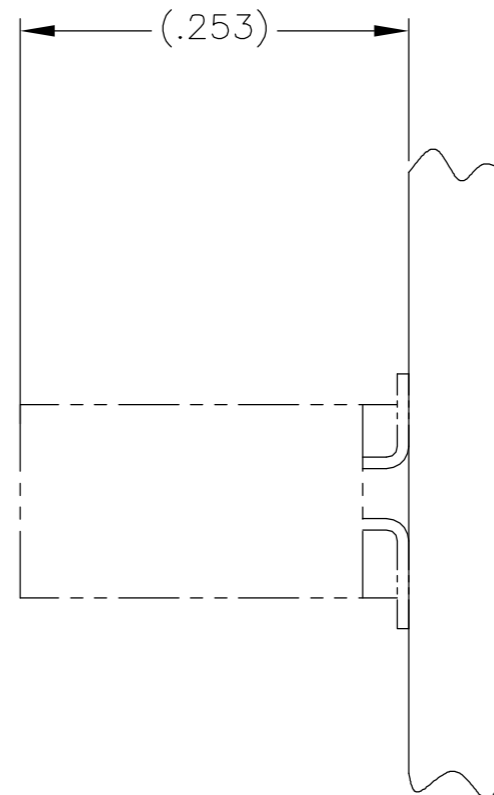
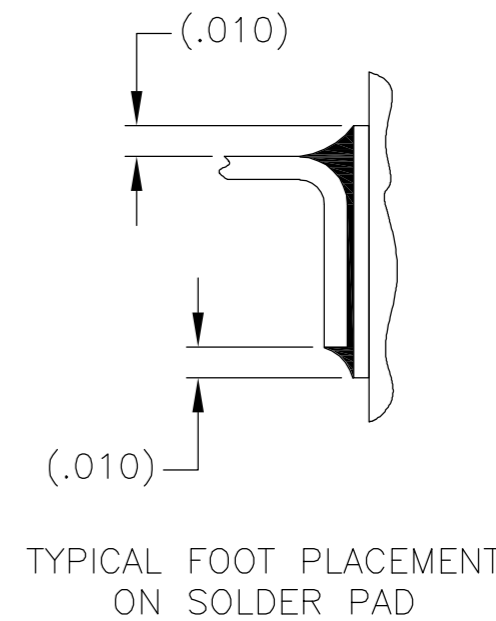
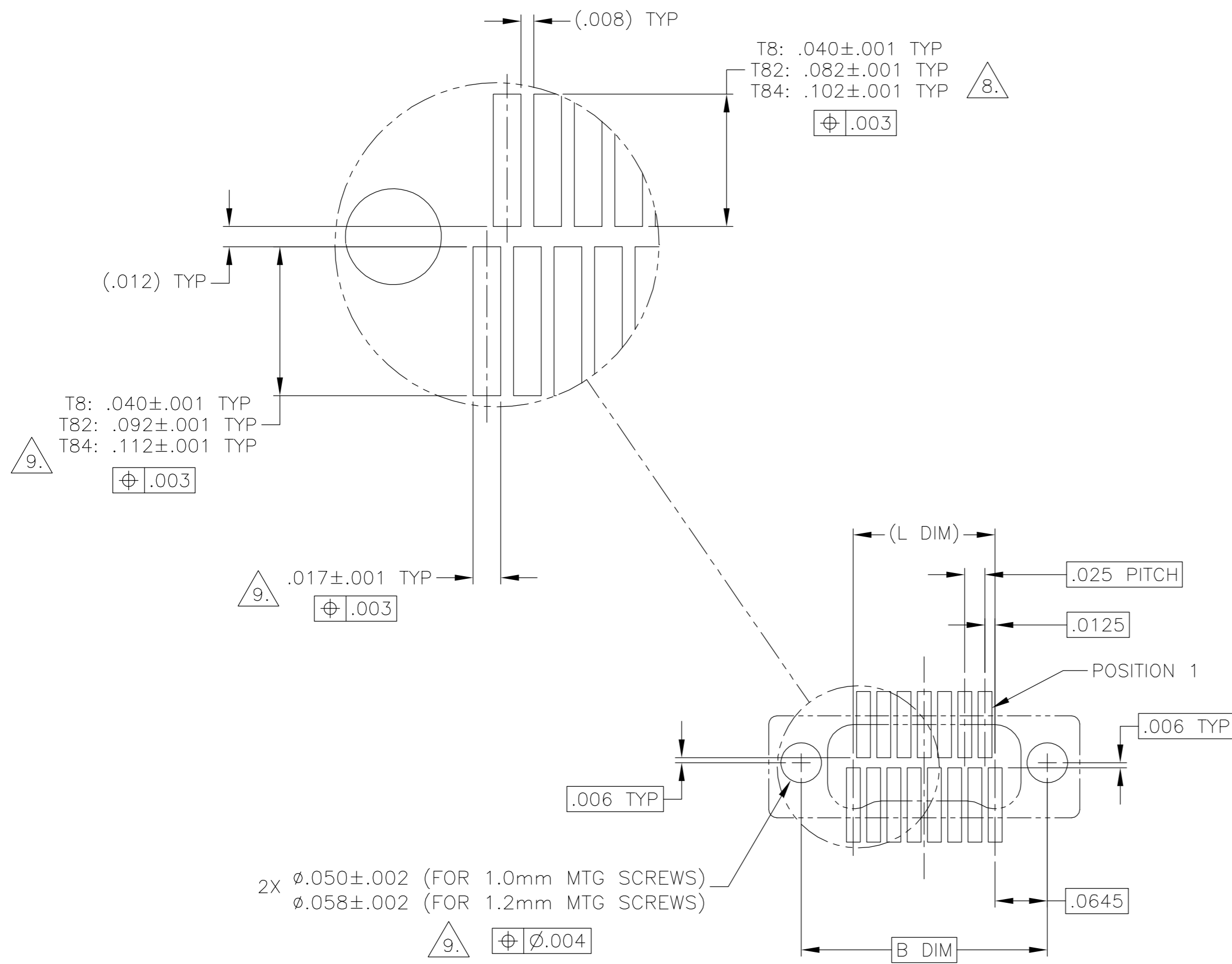


- 1. SHELL OPTIONS (TO BE SPECIFIED IN NANONICS PART NUMBER):  
 METAL: 6061-T6 ALUMINUM, ELECTROLESS NICKEL PLATED PER MIL-C-26074 (STANDARD) OR GOLD PLATED PER MIL-G-45204  
 303 STAINLESS STEEL, PASSIVATED PER SAE-AMS-QQ-P-35  
 INSULATOR MATERIAL FOR ALL METAL SHELLS IS LIQUID CRYSTAL POLYMER (LCP) PER MIL-M-24519 OR PER ASTM D5138
- 2. STANDARD 1.0 X 0.25mm JACKSCREW AND MOUNTING THREADS ARE SHOWN FOR REFERENCE ONLY AND MUST BE SPECIFIED IN THE NANONICS PART NUMBER WHEN REQUIRED. 1.2 X 0.25mm THREADS ALSO AVAILABLE.
- 3. MOUNTING HARDWARE IS AVAILABLE WITH THIS CONFIGURATION (NOT SHOWN). HARDWARE MUST BE SPECIFIED IN THE NANONICS PART NUMBER. CONSULT TYCO ELECTRONICS FOR DETAILS.
- 4. SMT LEADS ARE BeCu, GOLD PLATED PER MIL-G-45204 OVER NICKEL PLATE PER SAE-AMS-QQ-N-290.
- 5. NANONICS TERMINATION CODE: T8    6. NANONICS TERMINATION CODE: T82    7. NANONICS TERMINATION CODE: T84
- 8. THIS DRAWING PREVIOUSLY IDENTIFIED AS NANONICS N10138/234

THIS DRAWING IS A CONTROLLED DOCUMENT.		DWN	M STORRY	13 JAN 04	 Tyco Electronics Corporation Harrisburg, PA 17105
DIMENSIONS: INCHES		CHK			
TOLERANCES UNLESS OTHERWISE SPECIFIED:		APVD			NAME
0 PLC ± -		PRODUCT SPEC			RECEPTACLE ASSEMBLY, VERTICAL SURFACE MOUNT, TWO ROW DUALLOBE, GOLD PLATED LEADS, METAL SHELL, W/INTEGRATED STANDOFFS
1 PLC ± -		APPLICATION SPEC			SIZE
2 PLC ± .010					CAGE CODE
3 PLC ± .005					DRAWING NO
4 PLC ± -					RESTRICTED TO
ANGLES ± 1					A2
MATERIAL	FINISH	WEIGHT			00779
SEE NOTES	SEE NOTES	CUSTOMER DRAWING			C=1589842
		SCALE	8:1	SHEET	1 OF 2
		REV			B

THIS DRAWING IS UNPUBLISHED. RELEASED FOR PUBLICATION  
 © COPYRIGHT BY TYCO ELECTRONICS CORPORATION. ALL RIGHTS RESERVED.

LOC		DIST		REVISIONS			
P	LTR	DESCRIPTION		DATE	DWN	APVD	
	B	UPDATE PER 0H2Y-0164-04		12 MAY 04	CAS	MKS	



SIZE 15 SHOWN FOR REFERENCE  
 TYPICAL PCB LAYOUT

9. POSITIONAL TOLERANCES FOR BASIC DIMENSIONED FEATURES ARE RELATIVE TO FIDUCIALS OR SOME SIMILAR DATUM REFERENCE DEFINED BY THE PCB DESIGNER.

THIS DRAWING IS A CONTROLLED DOCUMENT.		DWN	M STORRY	13 JAN 04	Tyco Electronics Corporation Harrisburg, PA 17105	
DIMENSIONS: INCHES		CHK	-	-	NAME	
TOLERANCES UNLESS OTHERWISE SPECIFIED:		APVD	-	-	RECEPTACLE ASSEMBLY, VERTICAL SURFACE MOUNT, TWO ROW DUALLOBE, GOLD PLATED LEADS, METAL SHELL, W/INTEGRATED STANDOFFS	
0 PLC ± -		PRODUCT SPEC	-	-	SIZE	A2
1 PLC ± -		APPLICATION SPEC	-	-	CAGE CODE	00779
2 PLC ± -		WEIGHT	-	-	DRAWING NO	C=1589842
3 PLC ± -		CUSTOMER DRAWING	-	-	RESTRICTED TO	-
4 PLC ± -		SCALE	8:1	SHEET	2	OF 2
ANGLES ± -		REV	B			
FINISH						

1589842