

4

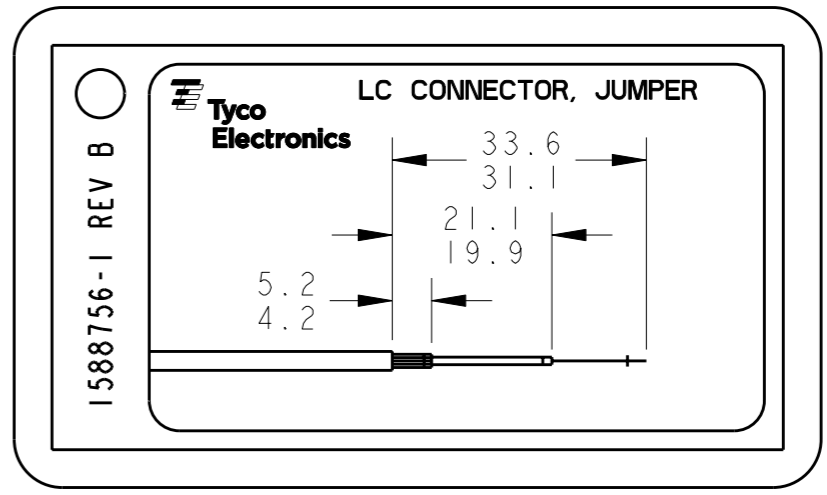
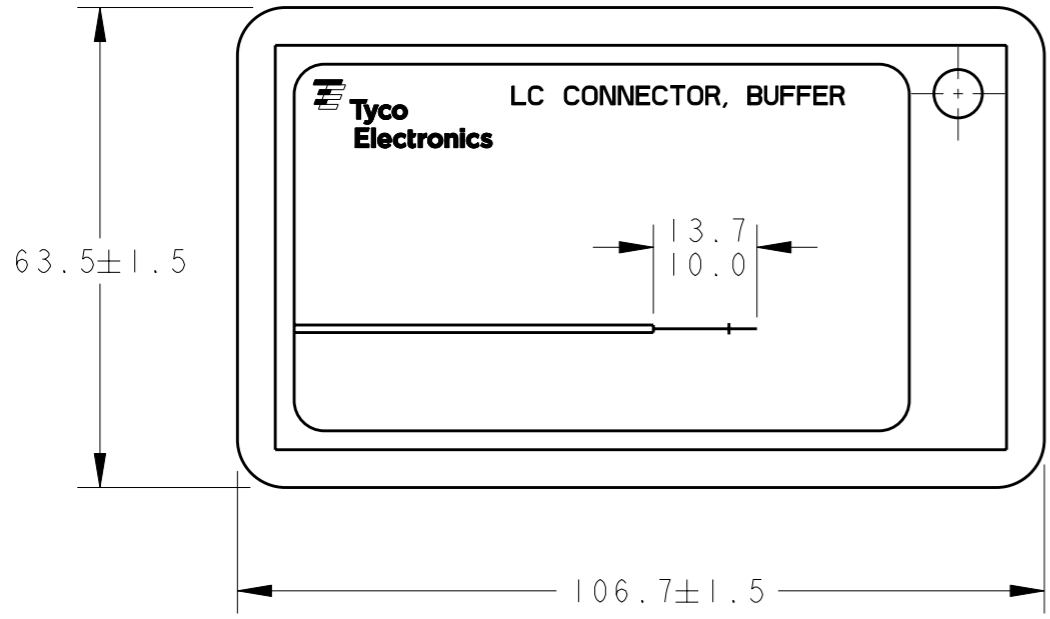
3

2

1

THIS DRAWING IS UNPUBLISHED. RELEASED FOR PUBLICATION 20
 © COPYRIGHT 20 BY TYCO ELECTRONICS CORPORATION. ALL RIGHTS RESERVED.

LOC	DIST	REVISIONS					
		P	LTR	DESCRIPTION	DATE	DWN	APVD
CE	00		B	REV PER 0A00-0371-04	08JUL2004	CSB	SB
			BI	NEW LOGOS	15FEB2008	BB	CB



LIGHT BLUE PAPER LAMINATED IN HEAVY GAUGE PLASTIC.

1588756-1
PART NUMBER

<small>THIS DRAWING IS A CONTROLLED DOCUMENT FOR TYCO ELECTRONICS CORPORATION IT IS SUBJECT TO CHANGE AND THE CONTROLLING ENGINEERING ORGANIZATION SHOULD BE CONTACTED FOR THE LATEST REVISION.</small>		DWN M. GURRER 01JUL2002 CHK D. ERDMAN 01JUL2002 APVD S. BUCHTER 01JUL2002	Tyco Electronics Harrisburg, PA 17105-3608
DIMENSIONS: mm	TOLERANCES UNLESS OTHERWISE SPECIFIED: 0 PLC ±- 1 PLC ±0.1 2 PLC ±0.10 3 PLC ±0.001 4 PLC ±0.0001 ANGLES ±-	PRODUCT SPEC - APPLICATION SPEC - WEIGHT -	NAME STRIP TEMPLATE, LC, TYCO ELECTRONICS DESIGN SIZE A3 CAGE CODE 00779 DRAWING NO C-1588756 RESTRICTED TO -
MATERIAL	FINISH -	CUSTOMER DRAWING	SCALE : SHEET OF REV BI