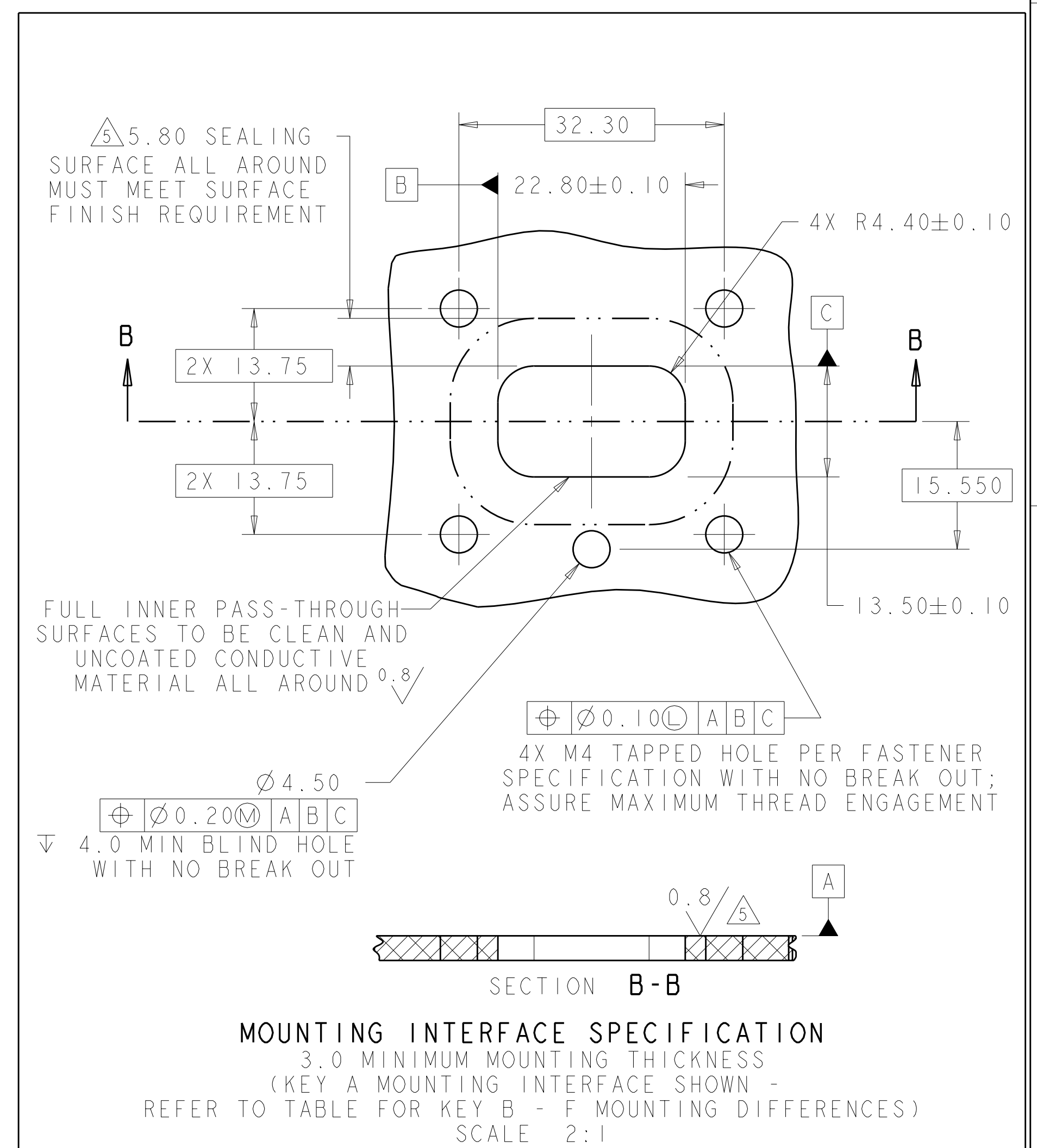
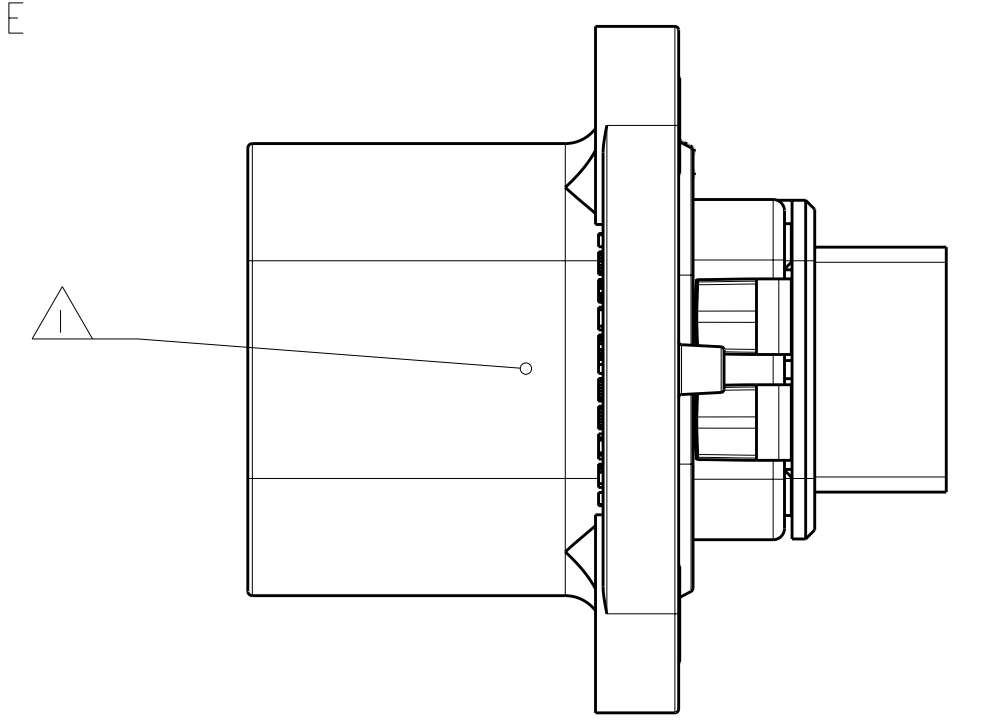
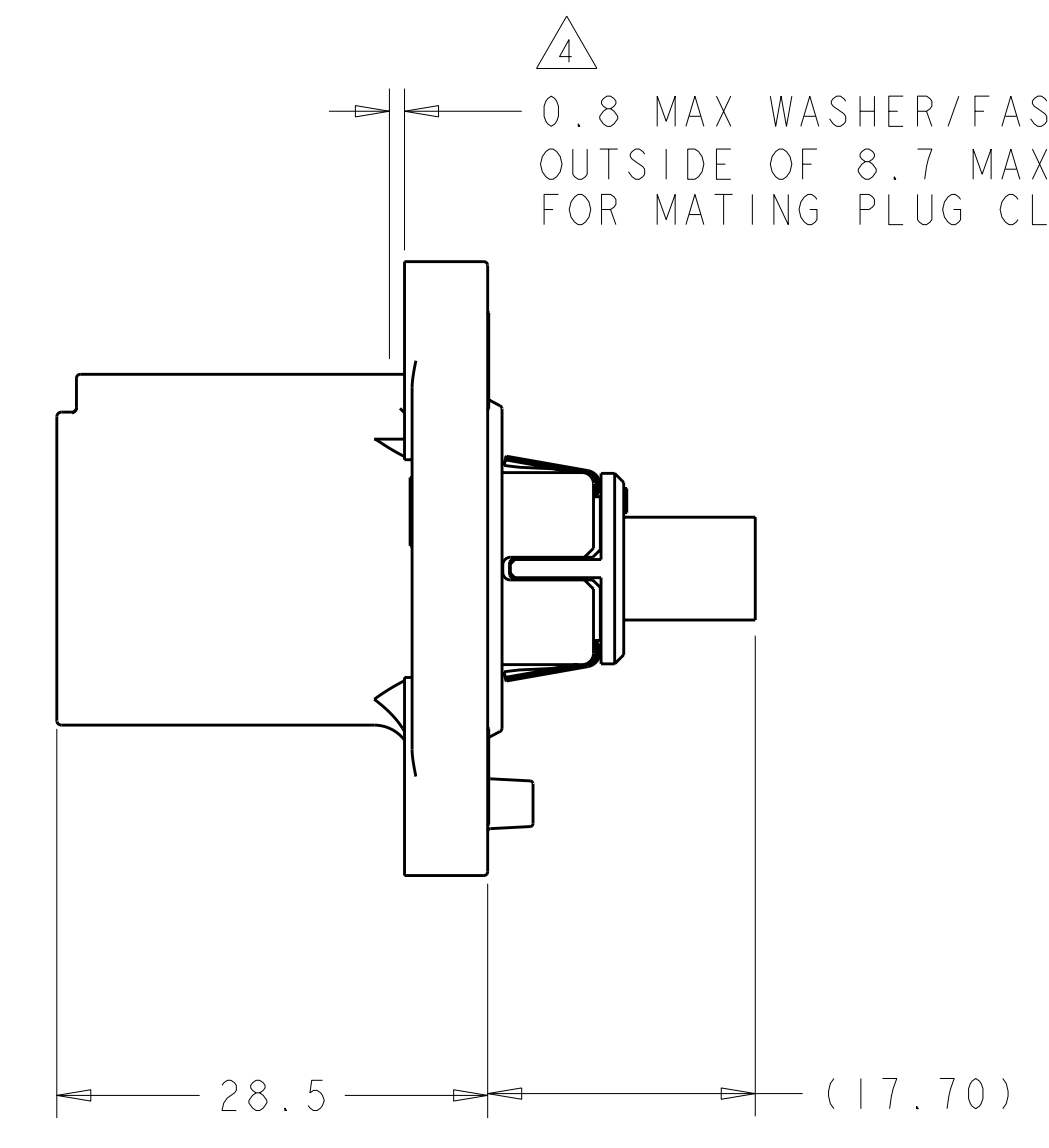
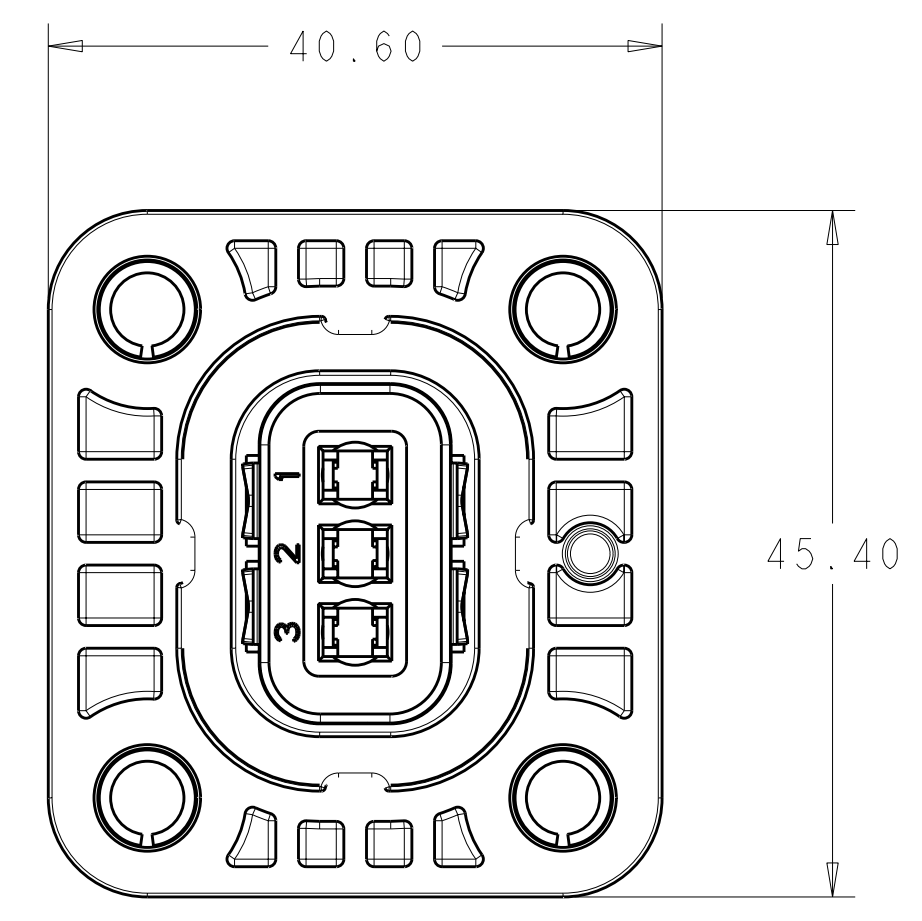
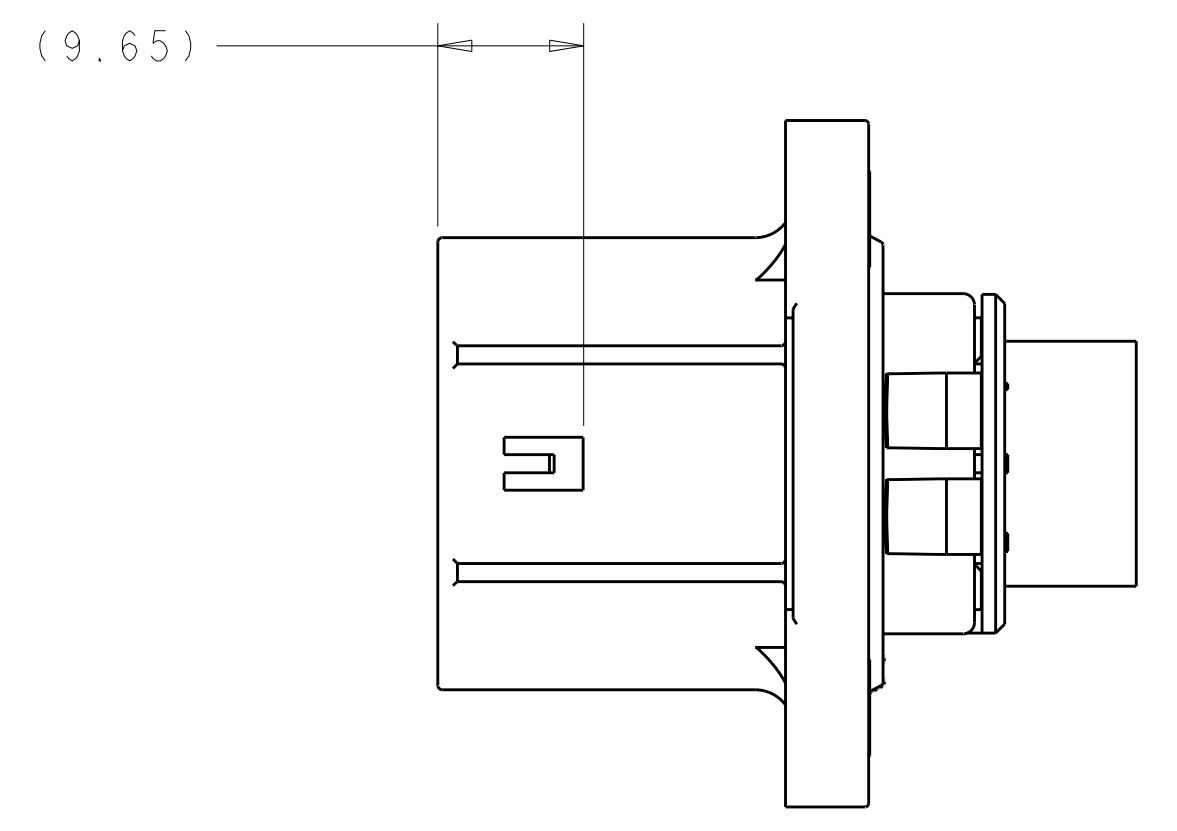
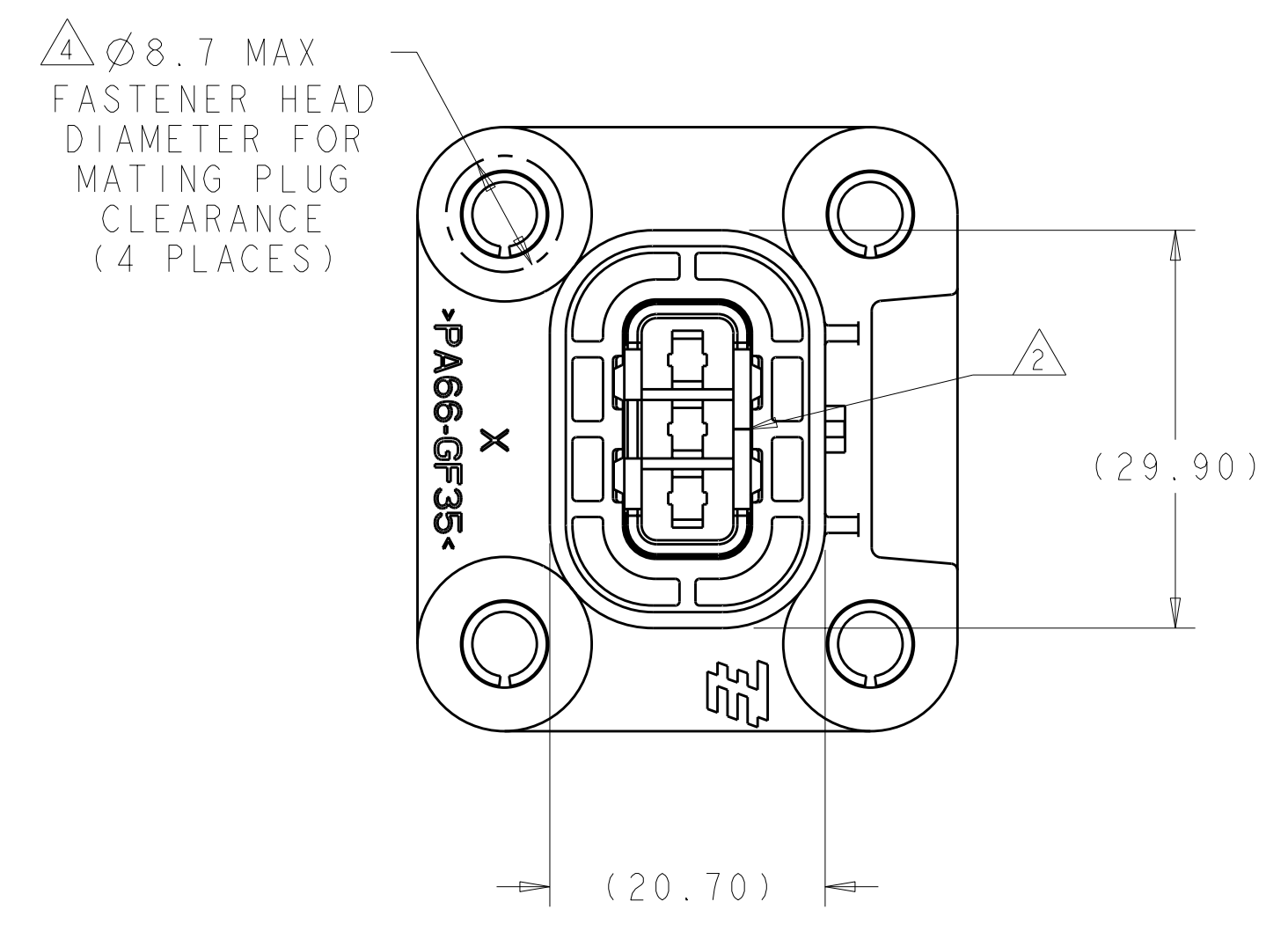
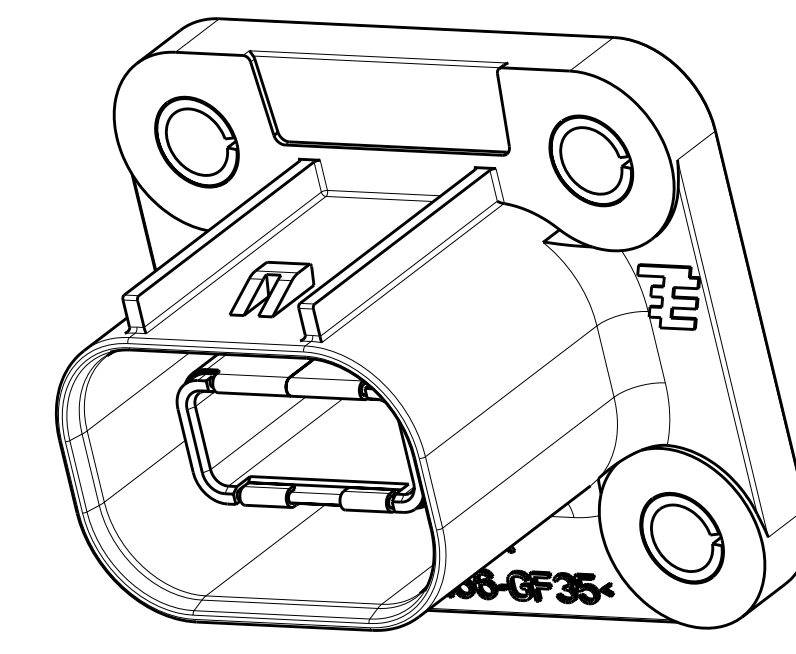


LOC	DIST	REVISIONS			
REV	LTG	DESCRIPTION	DATE	DWN	APVD
00	A	REVISED PER ECR-11-020171	03OCT2011	TD	TD



- 1 IDENTIFICATION MARKING ON THIS SURFACE CONTAINS ASSEMBLY P/N AND DATE CODE (YYDD). TEXT ORIENTATION, SIZE, AND LOCATION CAN VARY AS LONG AS TEXT IS ON SURFACE SHOWN AND READABLE.
- 2 SHIELD SEAM CAN BE POSITIONED AS SHOWN OR ROTATED 180° FROM POSITION SHOWN.
- 3 PRELIMINARY PART - NOT RELEASED FOR PRODUCTION
- 4 THESE DIMENSIONS DEFINE FASTENER SIZE LIMITS FOR PROPER COMPONENT FUNCTIONALITY. END USER MUST ENSURE FASTENER AND/OR WASHER DIAMETER IS 8.6 MM MIN FOR PROPER RETENTION. THESE ARE NOT PRODUCT FEATURES - NO INSPECTION REQUIRED FOR THESE ITEMS.
- 5 SURFACE FINISH APPLIES IN THIS AREA
- 6 REFER TO TE WORK INSTRUCTION 408-10273 FOR ASSEMBLY INSTRUCTIONS

INDEX	PART NO
3	F 1587973-6
3	E 1587973-5
	D 1587973-4
	B 1587973-2
	A 1587973-1

DIMENSIONS: mm TOLERANCES UNLESS OTHERWISE SPECIFIED: 9 PLC ±0.5 1 PLC ±0.5 3 PLC ±0.15 4 PLC ±0.05 ANGLES ±° FINISH	DWN T. DEWILITE 15JUL2009 CHK T. DEWILITE 15JUL2009 APVD T. DEWILITE PRODUCT SPEC APPLICATION SPEC WEIGHT 23.0 g CUSTOMER DRAWING	Tyco Electronics Harrisburg, PA 17105-3608 NAME HVA280 3P HEADER ASSY - PLASTIC CHART DRAWING SIZE CAGE CODE DRAWING NO RESTRICTED TO A 100779 C=1587973 SCALE 2:1 SHEET 1 OF 2 REV A
---	---	---

LOC		DIST		REVISIONS			
REV	DATE	DESCRIPTION	DATE	BY	APPD		
00		SEE SHEET 1					

	1587973-1 (KEY A)	1587973-2 (KEY B)	1587973-4 (KEY D)	△ 1587973-5 (KEY E)	△ 1587973-6 (KEY F)
FRONT VIEW					
SIDE VIEW					
REAR VIEW					
INTERFACE VIEW - MOUNTING SIDE					
	KEY A MOUNTING INTERFACE	KEY B MOUNTING INTERFACE	KEY D MOUNTING INTERFACE	KEY E MOUNTING INTERFACE	KEY F MOUNTING INTERFACE

<small>THIS DRAWING IS UNPUBLISHED. RELEASED FOR PUBLICATION. COPYRIGHT © 2009 BY TYCO ELECTRONICS CORPORATION. ALL RIGHTS RESERVED.</small>		DWN T. DEWILTE 15JUL2009 CHK T. DEWILTE 15JUL2009 APVD T. DEWILTE NAME HVA280 3P HEADER ASSY - PLASTIC PRODUCT SPEC APPLICATION SPEC WEIGHT 23.0 g CUSTOMER DRAWING	Tyco Electronics Harrisburg, PA 17105-3608 HVA280 3P HEADER ASSY - PLASTIC CHART DRAWING SIZE CAGE CODE DRAWING NO RESTRICTED TO A 100779 C-1587973 SCALE 2:1 SHEET 2 OF 2 REV A
DIMENSIONS: mm 	TOLERANCES UNLESS OTHERWISE SPECIFIED: 9 PLC ±0.5 1 PLC ±0.5 5 PLC ±0.15 4 PLC ±0.05 ANGLES ±° FINISH	WEIGHT 23.0 g CUSTOMER DRAWING	Tyco Electronics Harrisburg, PA 17105-3608 HVA280 3P HEADER ASSY - PLASTIC CHART DRAWING SIZE CAGE CODE DRAWING NO RESTRICTED TO A 100779 C-1587973 SCALE 2:1 SHEET 2 OF 2 REV A