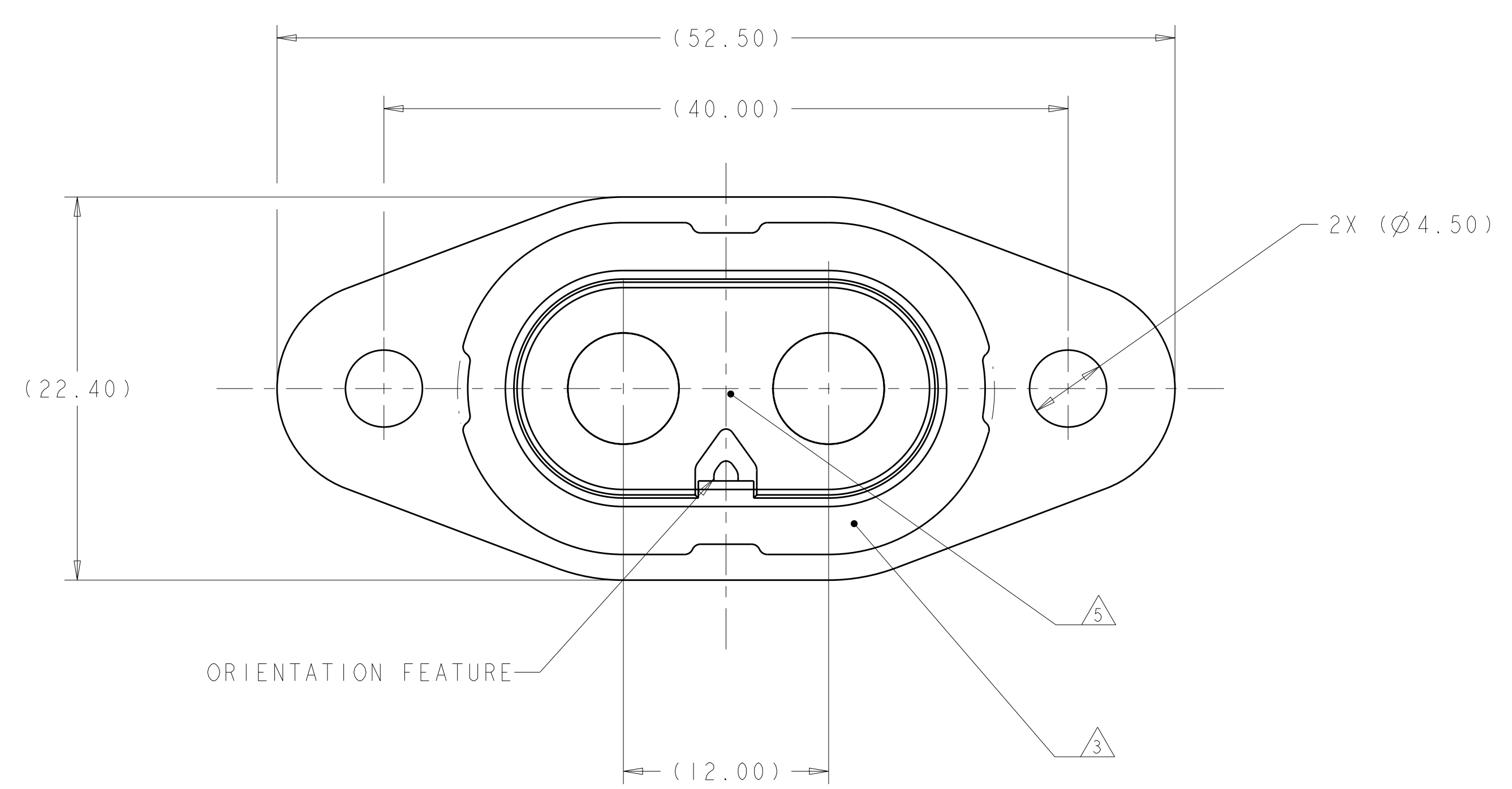
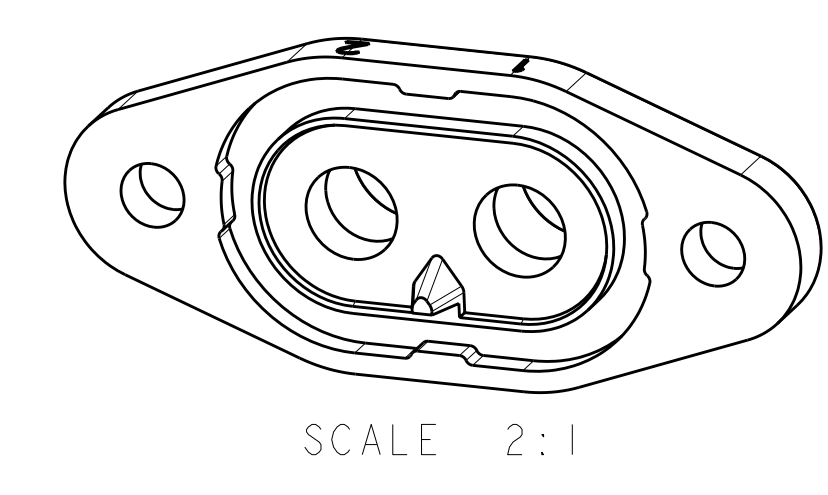
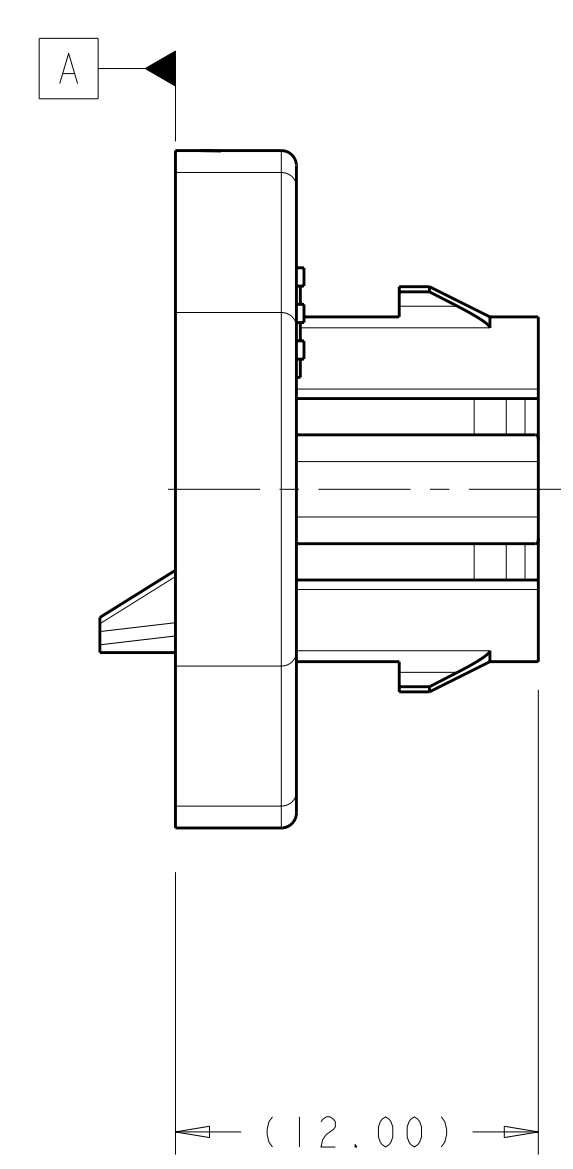
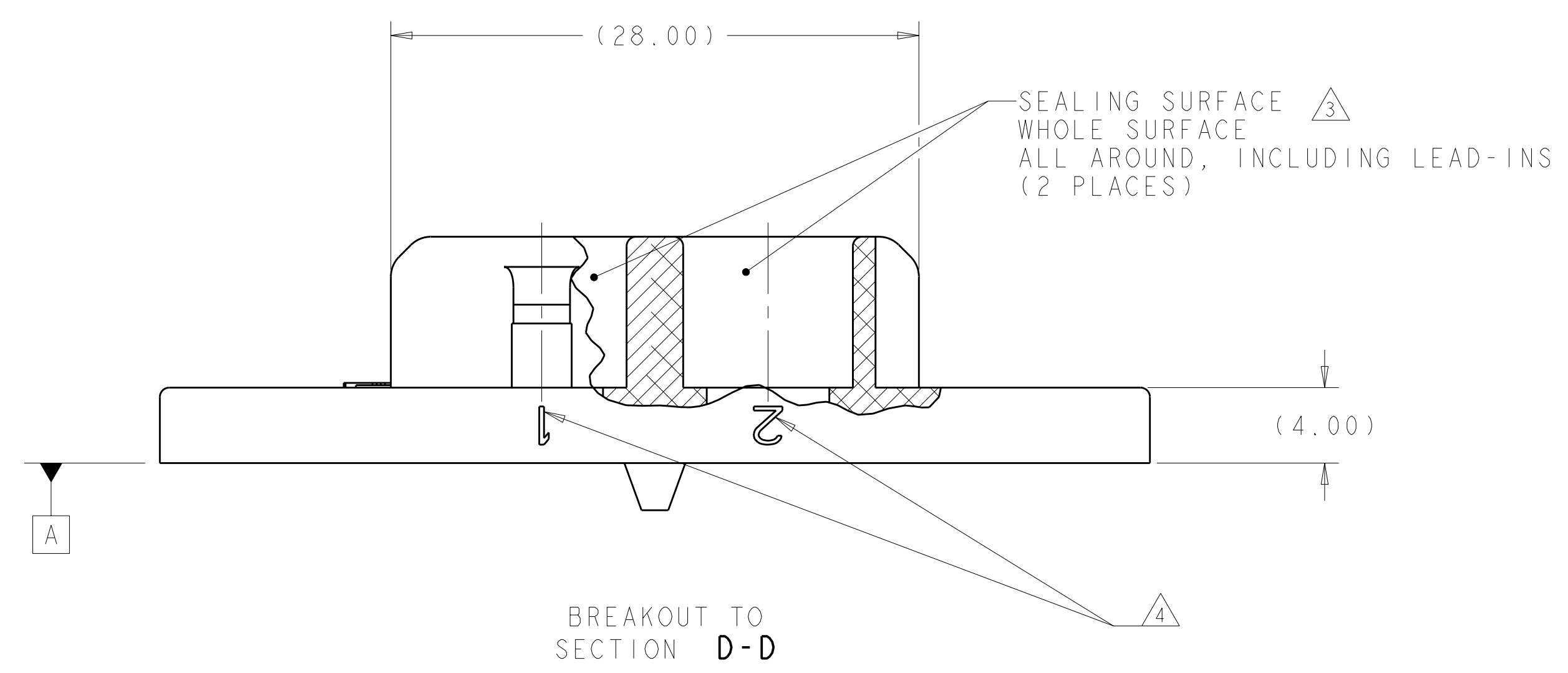
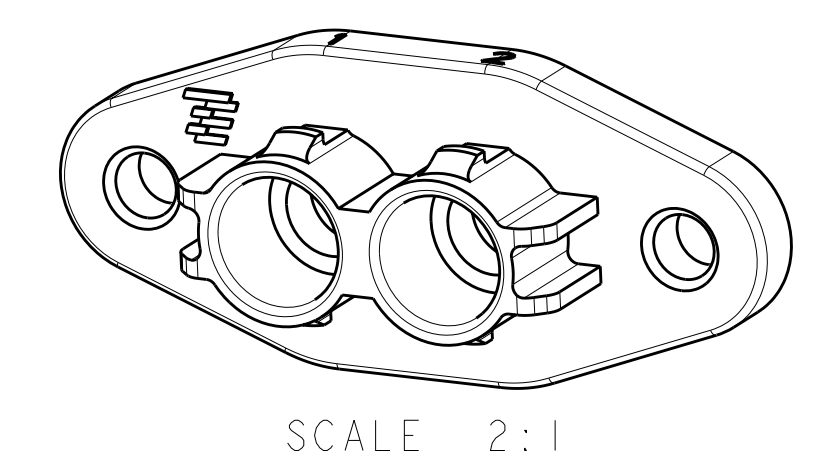
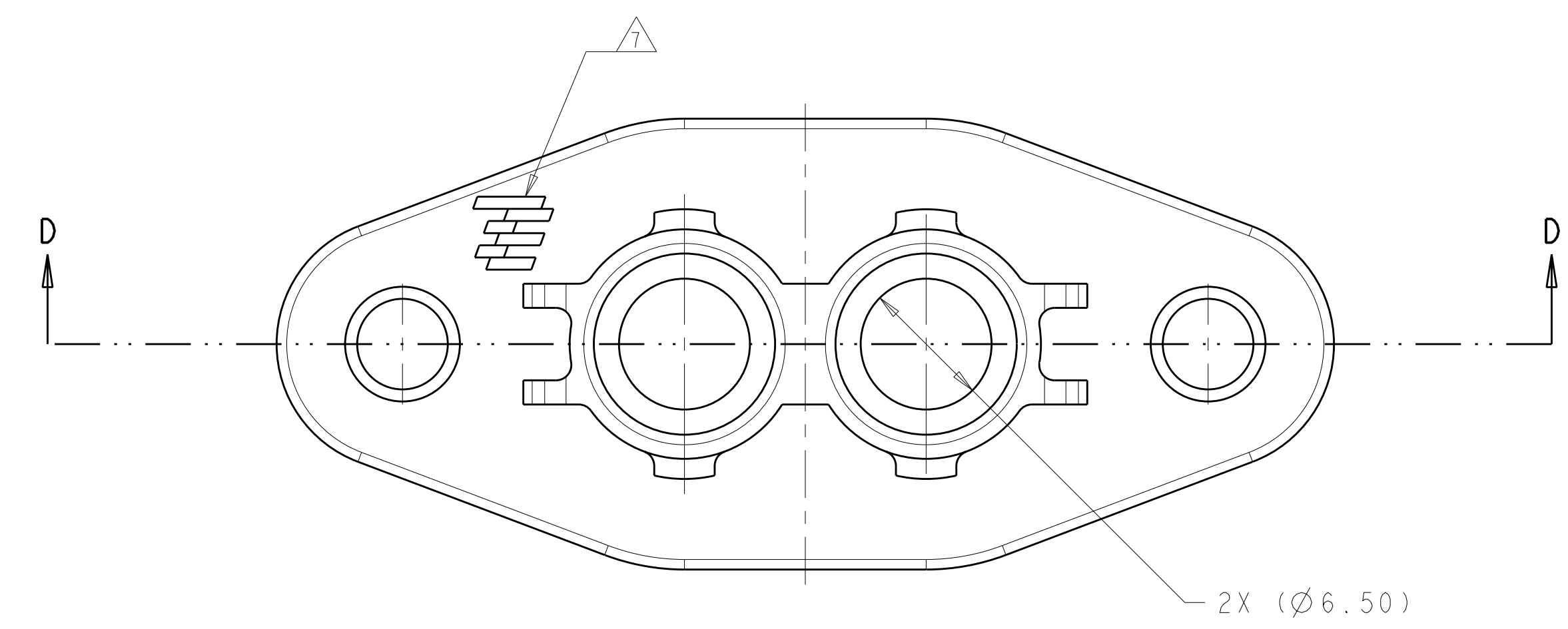


LOC	DIST	REVISIONS			
P	LTR	DESCRIPTION	DATE	DWN	APVD
A		INITIAL CUSTOMER DRAWING	04AUG2011	DS	YS



- $\triangle 1$ MATERIAL: CAST ALUMINUM.
- $\triangle 2$ FINISH: BLACK ELECTRO COAT.
- $\triangle 3$ SEALING SURFACE: THIS SURFACE MUST BE KEPT FREE OF SCRATCHES AND OTHER SURFACE DEFECTS OR IMPERFECTIONS. NO PARTING LINES PERMITTED IN THIS AREA.
- $\triangle 4$ CIRCUIT I.D. TO BE SHOWN RECESSED IN THIS AREA.
- $\triangle 5$ CAVITY I.D. TO BE SHOWN RECESSED IN THIS AREA.
- 6. ESTIMATED PART VOLUME: 3.57E+03 MM³
- $\triangle 7$ TE TRADE MARK RAISED IN THIS AREA.
- 8. FOR MOUNTING REQUIREMENTS REFER TO TE CUSTOMER DRAWING C-1587874

THIS DRAWING IS A CONTROLLED DOCUMENT.		DWN D. SIMPSON	04AUG2011	APT HOUSING		1587834-1
DIMENSIONS:		CHK Y. SOONAVALA	04AUG2011	DESCRIPTION		PART NO.
TOLERANCES UNLESS OTHERWISE SPECIFIED:		APVD A. GUANCO	04AUG2011	NAME		APT HOUSING
mm	9 PLC ±	PRODUCT SPEC		SIZE		CAGE CODE
	1 PLC ±0.5	APPLICATION SPEC		DRAWING NO		RESTRICTED TO
	2 PLC ±0.10	WEIGHT		A100779		C=1587834
	3 PLC ±0.013	CUSTOMER DRAWING		SCALE		4:1
	4 PLC ±0.001	FINISH		SHEET		1 OF 1
	ANGLES ±0°			REV		A