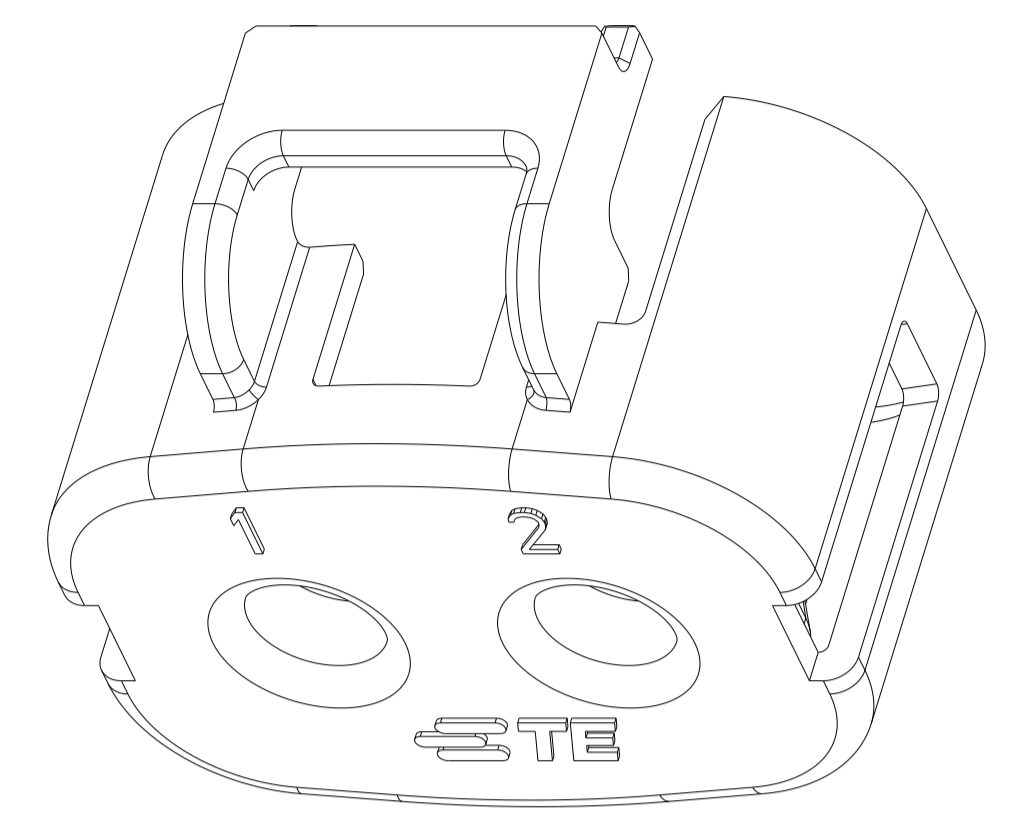
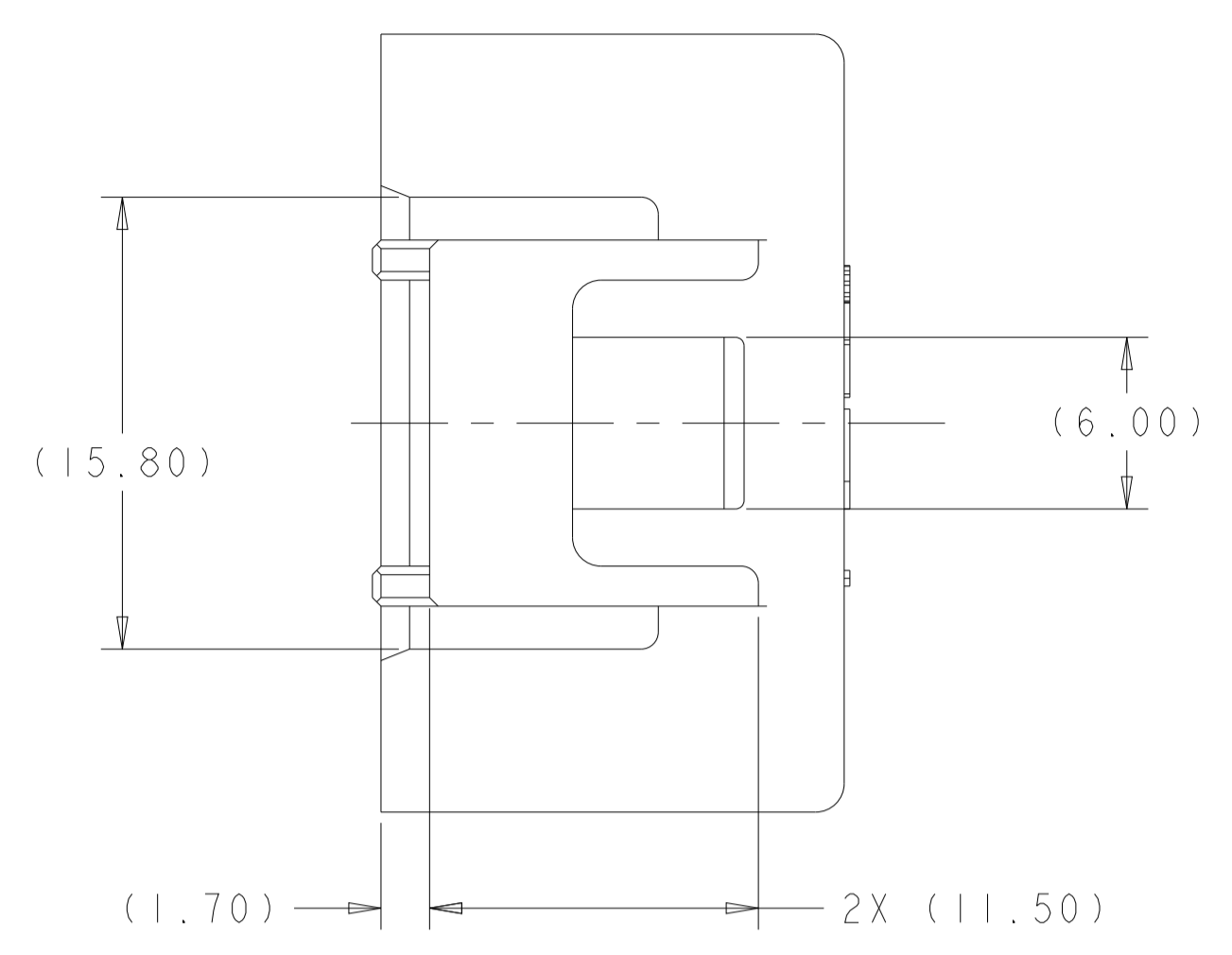
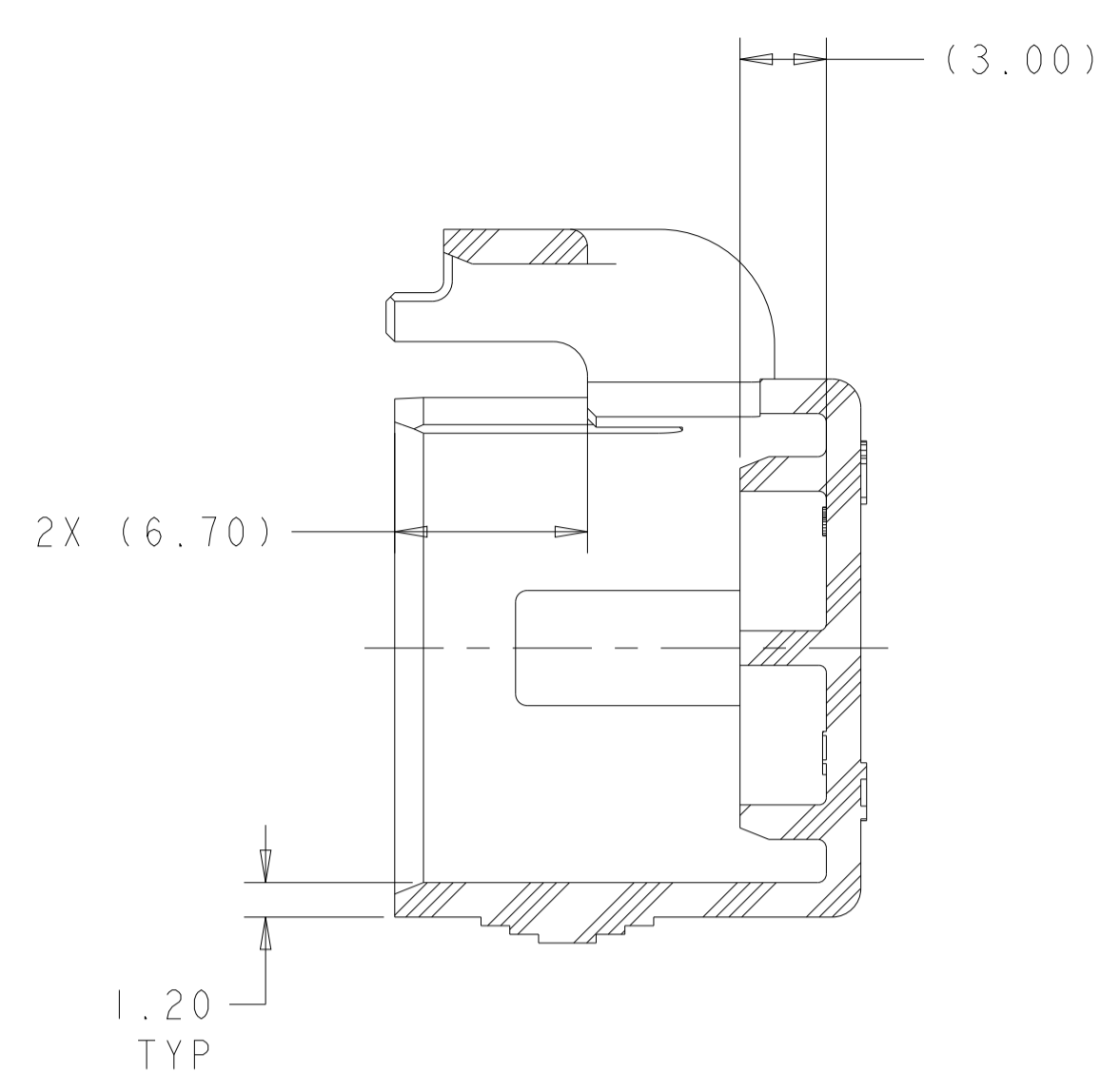
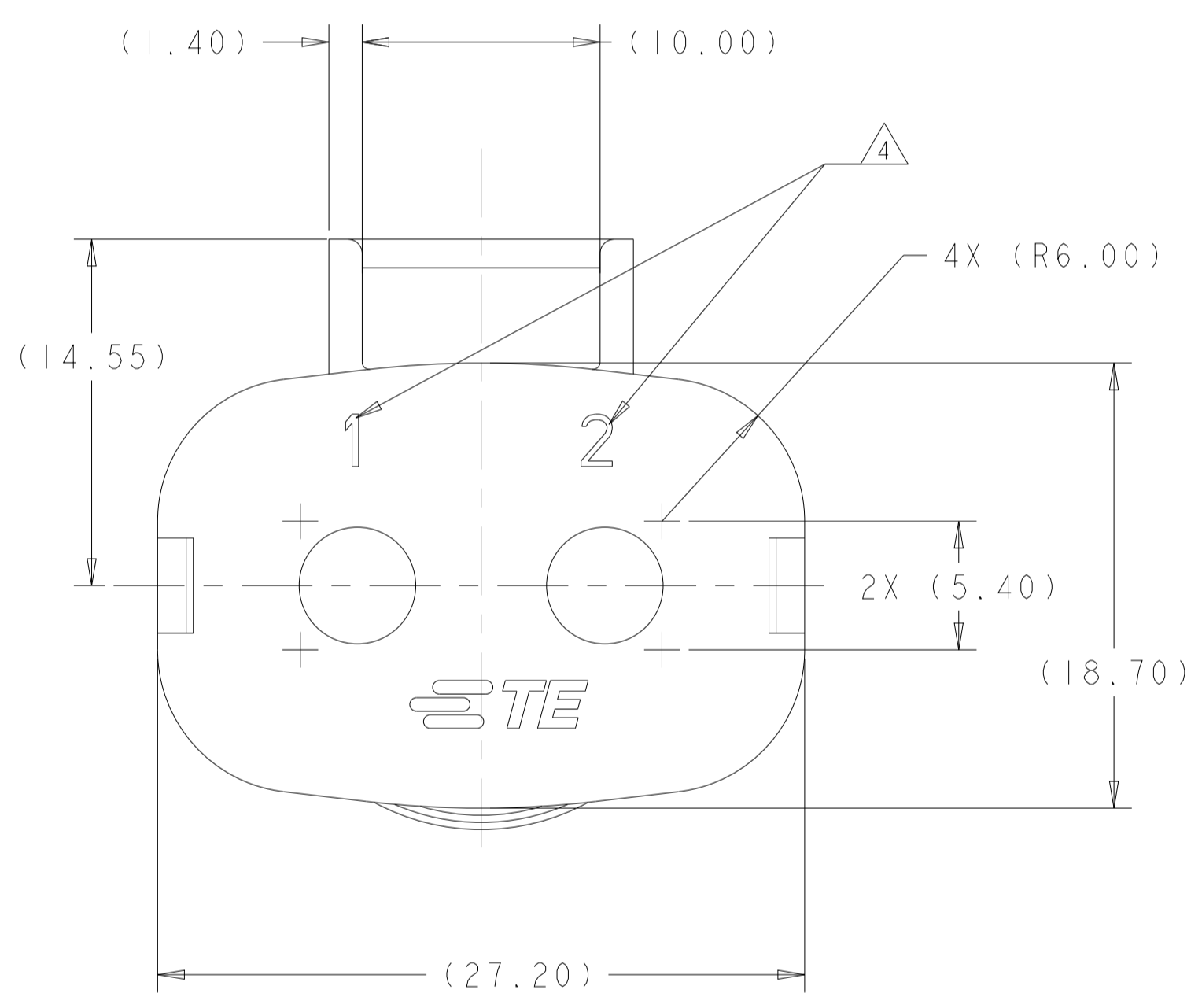
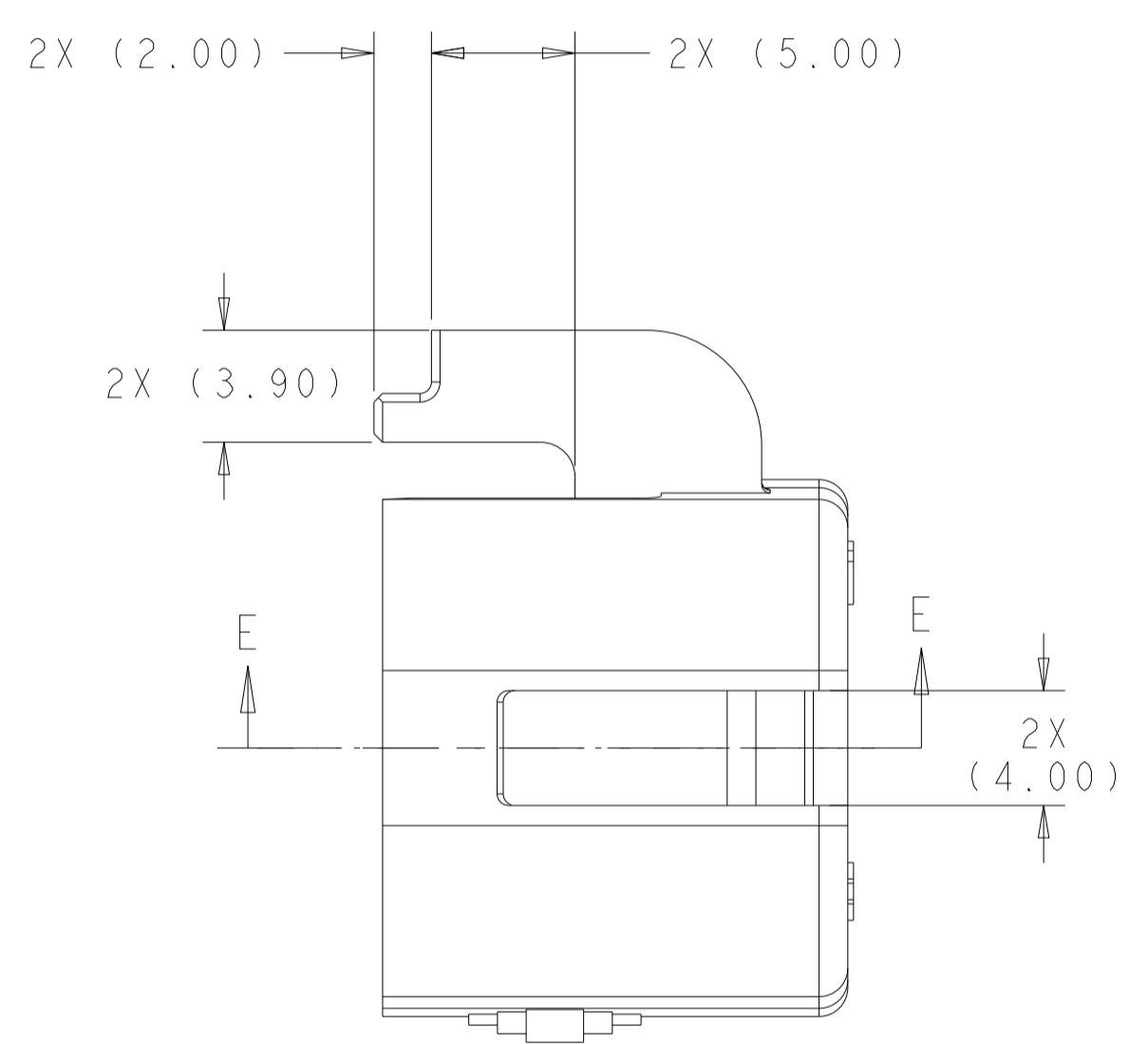
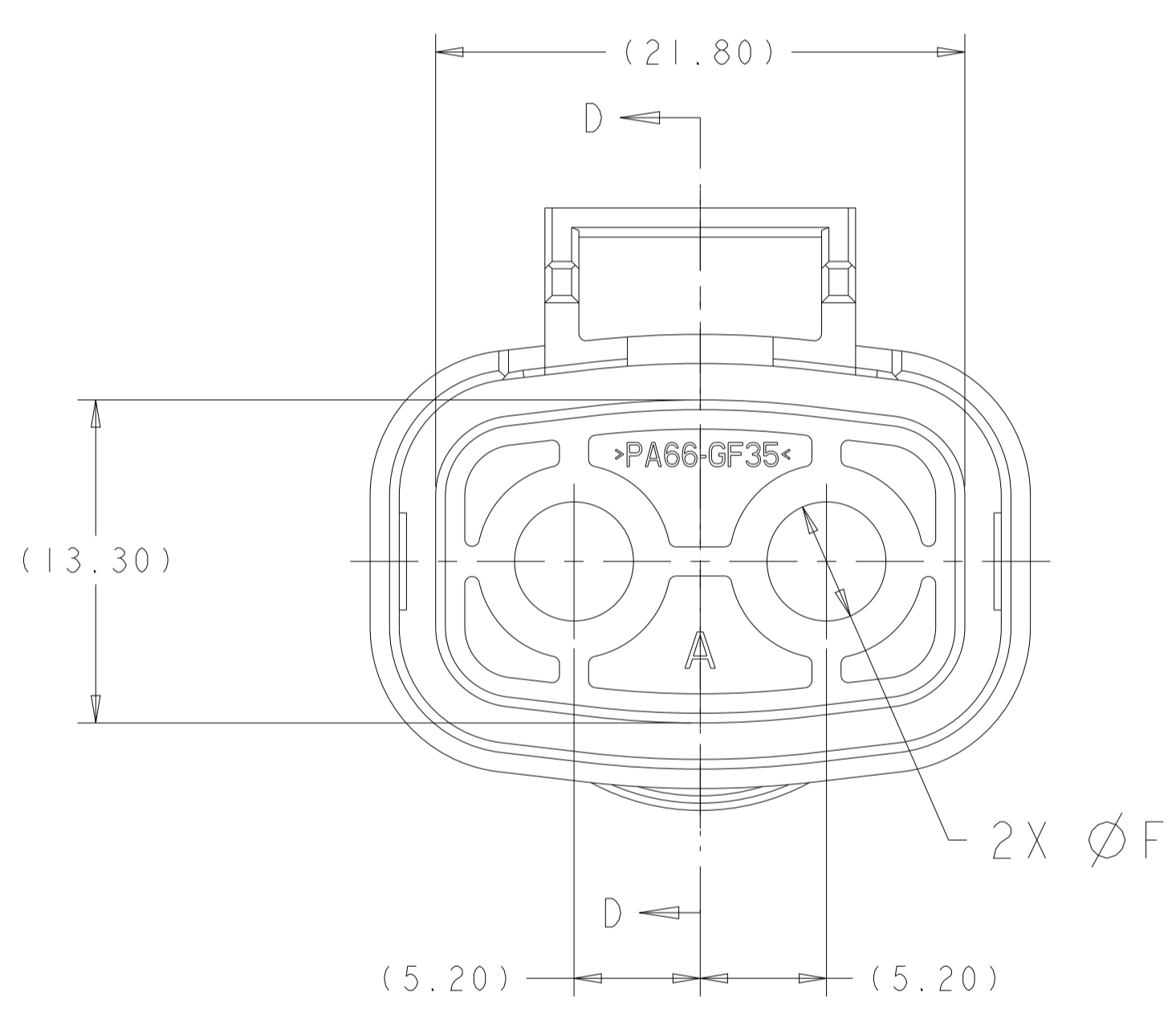


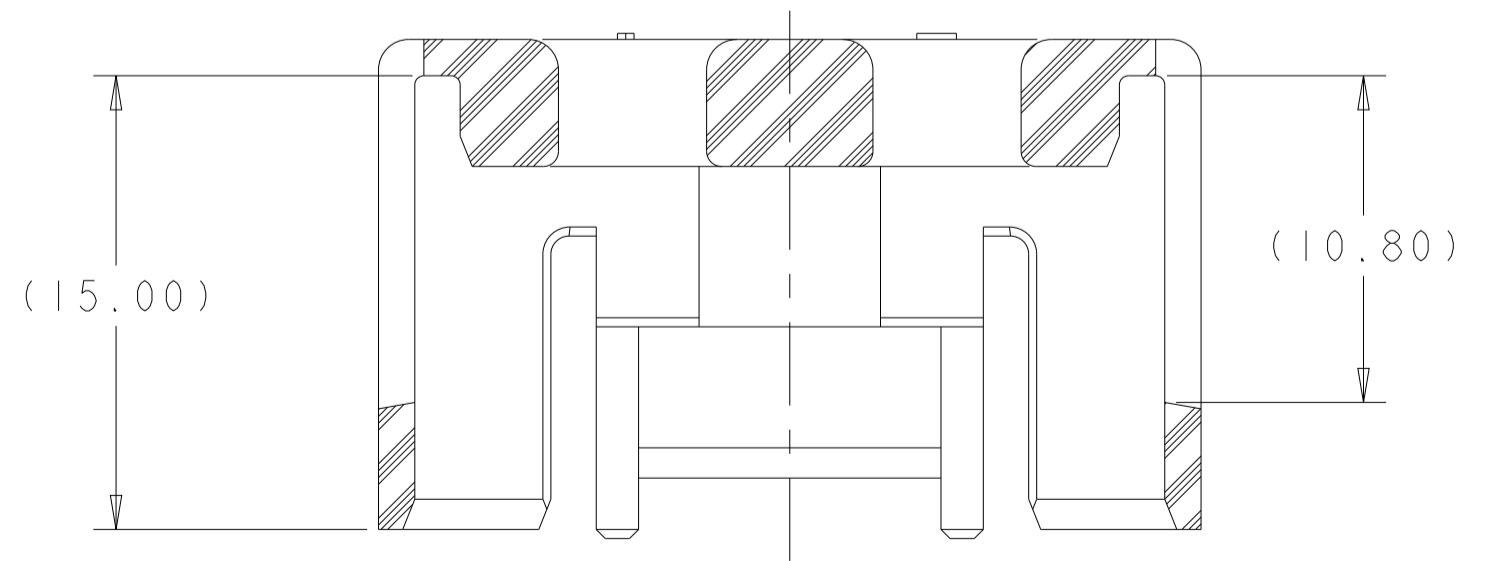
LOC		DIST		REVISIONS			
P	LTN	DESCRIPTION	DATE	DWN	APVD		
B1	ECO-11-006038		23MAR2011	DS	AT		
B2	ECN-24-253999		22FEB2024	SS	PK		



SECTION D-D
REMOVED



- △ MATERIAL :
TYPE : PA66 35%GF
COLOR : SEE TABLE
- 2. FEATURES DENOTED BY REFERENCE DIMENSIONS
MUST BE INSPECTED FOR PRESENCE
- 3. PART MUST BE FREE OF EXCESSIVE FLASH, MIS-MATCH,
SINK MARKS, OR OTHER VISUAL IMPERFECTIONS THAT
MAY AFFECT PRODUCT FIT FORM OR FUNCTION
- △ 4 CIRCUIT ID
- △ 5 PRELIMINARY PART—NOT RELEASED FOR PRODUCTION



SECTION E-E
REMOVED, ROTATED 90° CCW

DK GRAY	5.48	6.10	6.20	CABLE SEAL RETAINER, SIZE C	1587827-3
ORANGE	4.76	5.48	5.60	CABLE SEAL RETAINER, SIZE B	1587827-2
BLACK	4.11	4.76	4.90	CABLE SEAL RETAINER, SIZE A	1587827-1
COLOR	MIN	MAX	F	DESCRIPTION	PART NO
	WIRE O.D.				

THIS DRAWING IS A CONTROLLED DOCUMENT.

DIMENSIONS:	TOLERANCES UNLESS OTHERWISE SPECIFIED:	DWN D SIMPSON CHK A TYLER	05JUN2009 05JUN2009
mm	0 PLC ±.2 1 PLC ±0.2 2 PLC ±0.10 3 PLC ±0.100 4 PLC ±0.0001 ANGLES ±1°	APVD	NAME
MATERIAL	FINISH	PRODUCT SPEC	108-2394
		APPLICATION SPEC	114-13259
		WEIGHT	A100779C=1587827
		CUSTOMER DRAWING	SCALE 4:1 SHEET 1 OF 1 REV B2

STE TE Connectivity
 CABLE SEAL RETAINER
 HVA280-2P1