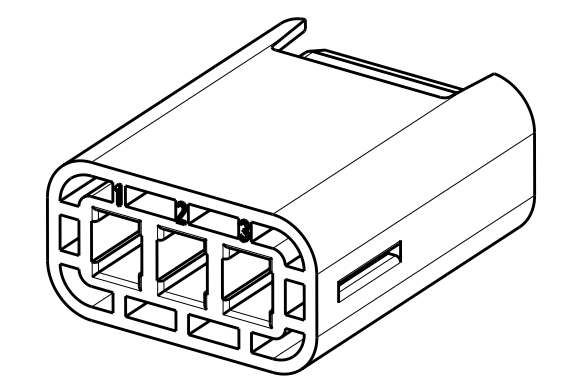
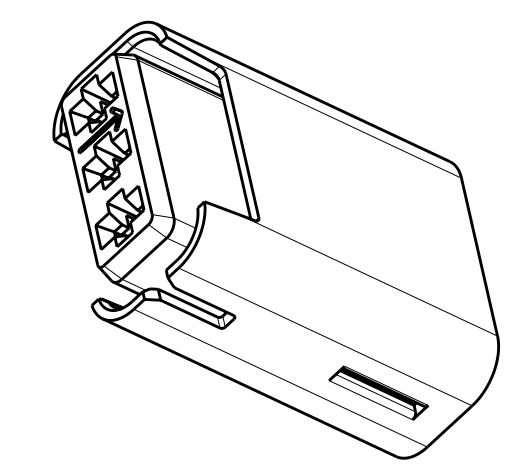
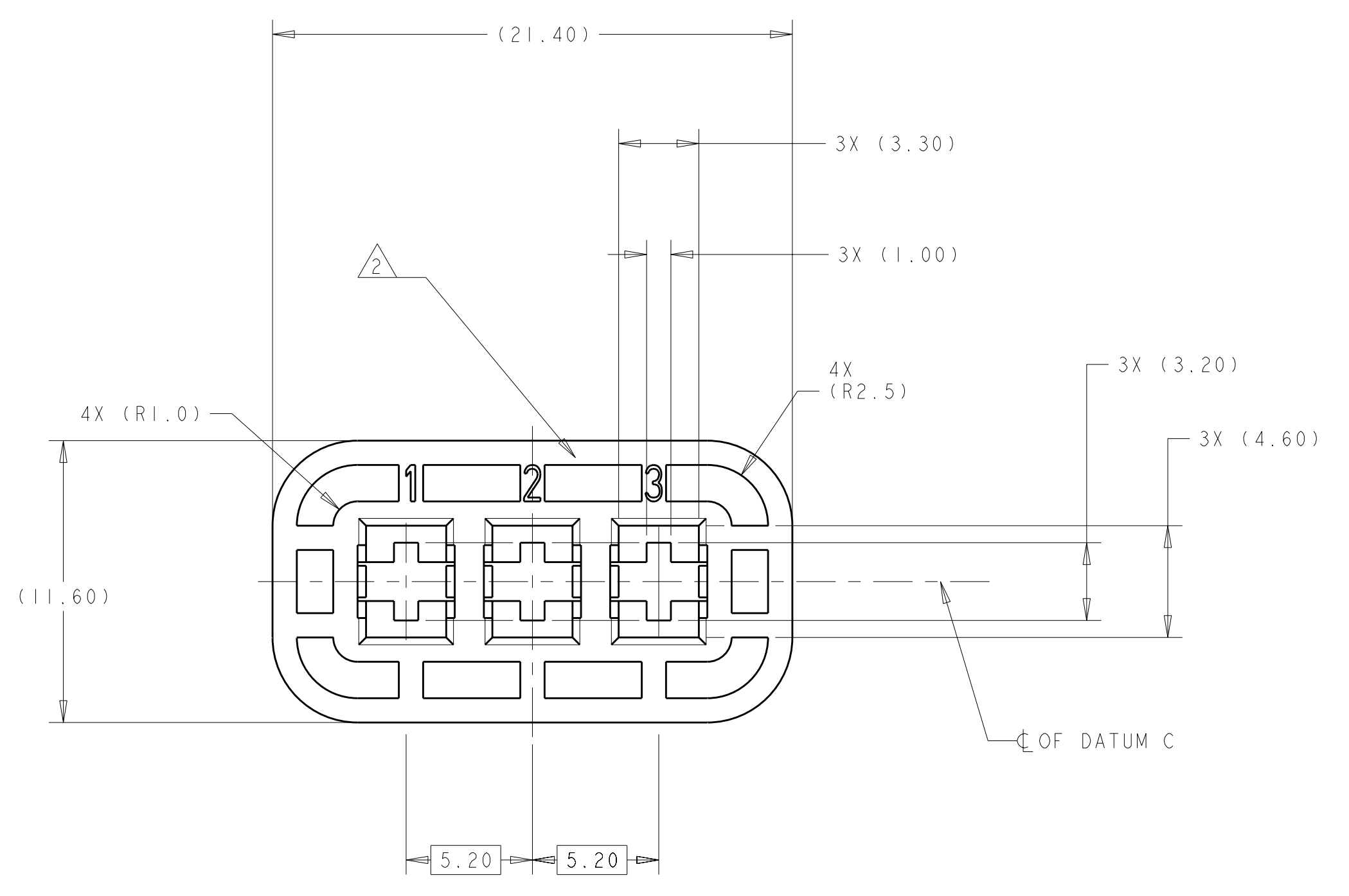
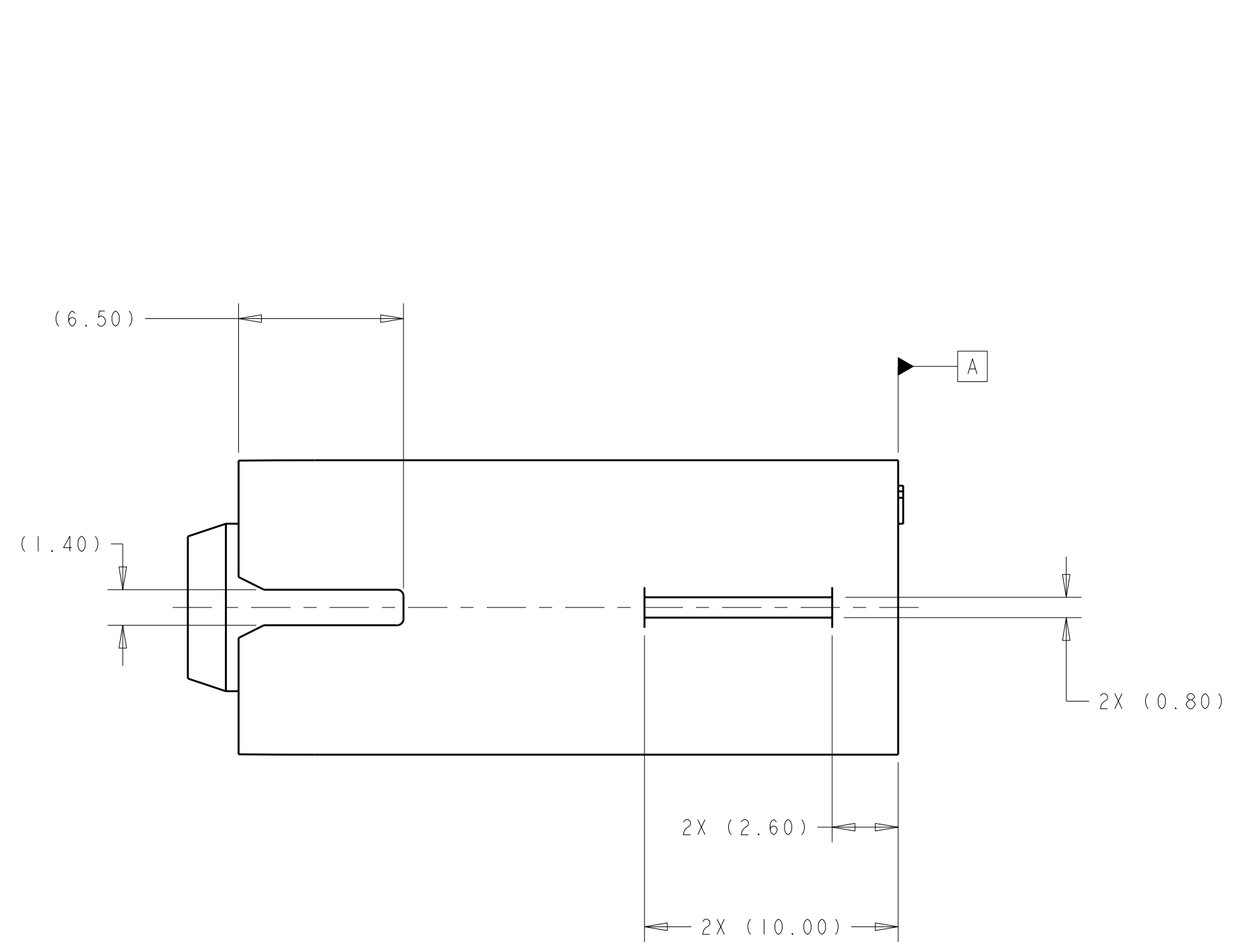
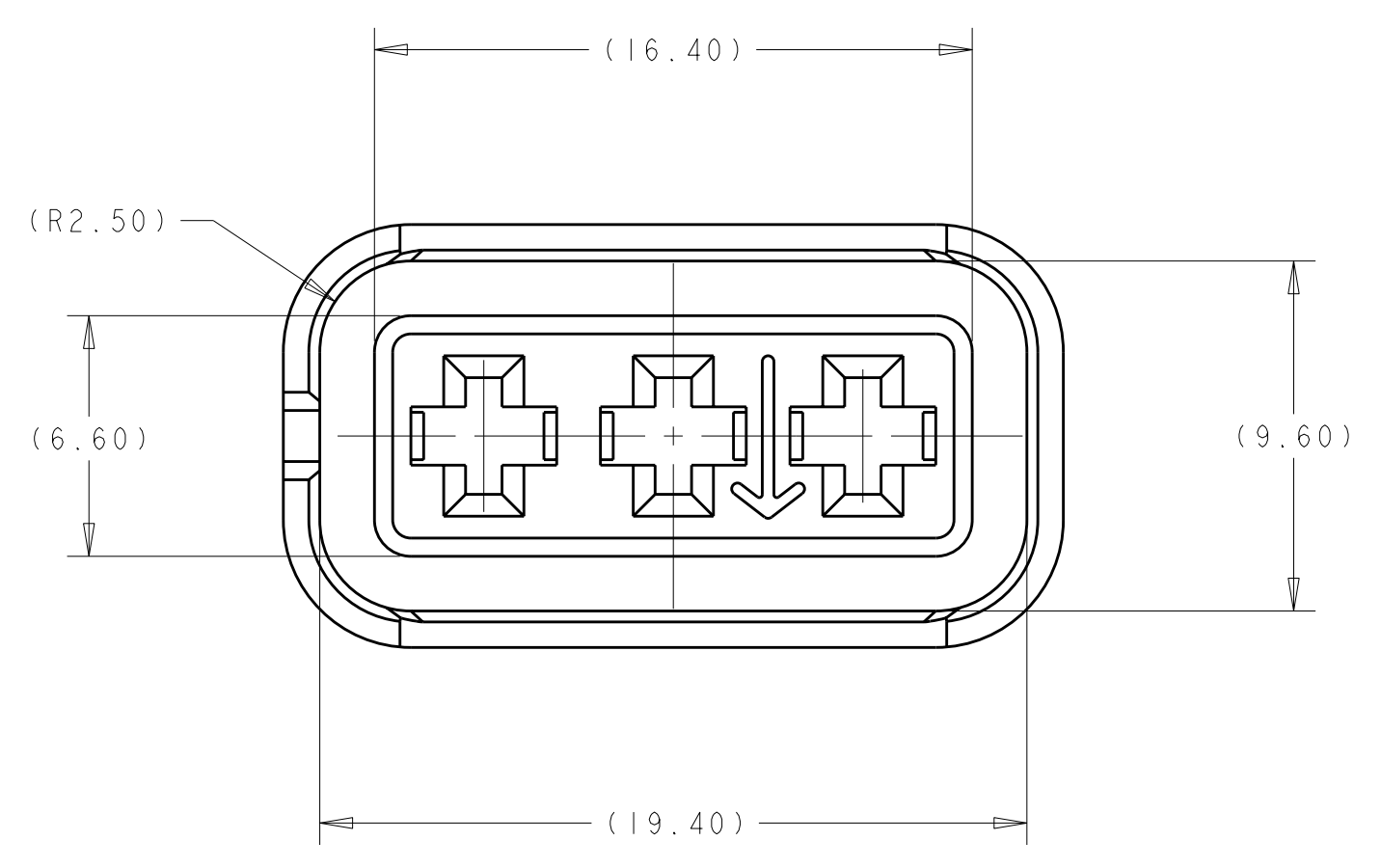
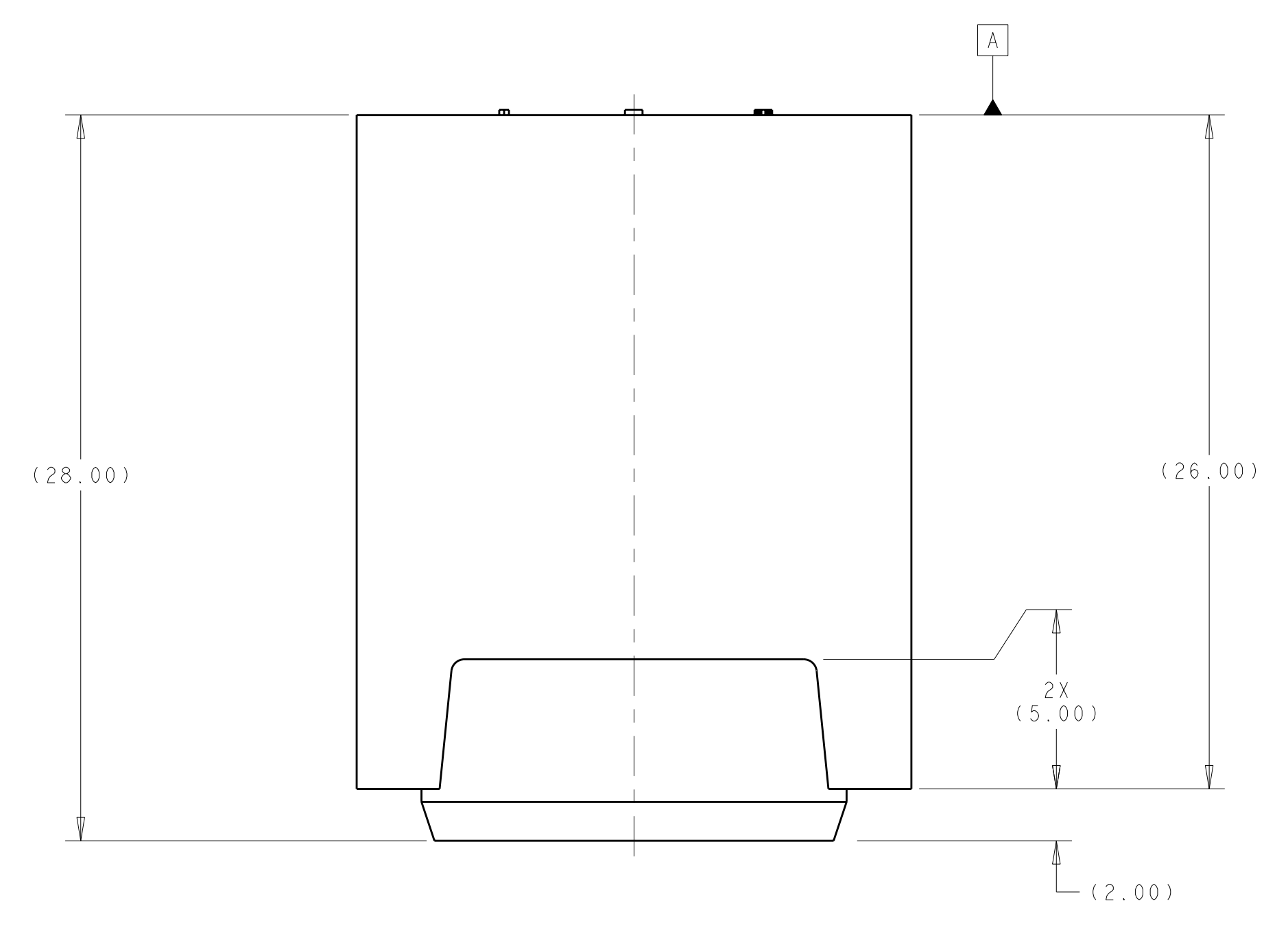


REVISONS		DATE	DWN	APVD
A	ECO-09-020745	23SEP2009	DS	AT
B	REVISED PER ECR-11-015671	27JUL2011	TD	TD
C	REVISED PER ECR-11-023058	25OCT2011	TD	TD



SCALE 2:1



- 1 MATERIAL:
TYPE: PA66 35XGF
COLOR: BLACK
- 2 TERMINAL CIRCUIT I.D.
- 3. PART MUST BE FREE OF EXCESSIVE FLASH, MIS-MATCH, SINK MARKS, OR OTHER VISUAL IMPERFECTIONS THAT MAY AFFECT PRODUCT FIT OR FUNCTION

1587716-1
PART NO

THIS DRAWING IS A CONTROLLED DOCUMENT.		DWN D SIMPSON 02JUN2008	TE Connectivity	
DIMENSIONS: mm		CHK A TYLER 02JUN2008	NAME INNER HOUSING, PLUG HVA280-3PM	
TOLERANCES UNLESS OTHERWISE SPECIFIED: 9 PLC ±.15 3 PLC ±0.15 5 PLC ±0.1 4 PLC ±.05 ANGLES ±1°		APVD -	PRODUCT SPEC -	RESTRICTED TO -
MATERIAL -		FINISH -	APPLICATION SPEC -	SIZE CAGE CODE DRAWING NO A100779C=1587716
CUSTOMER DRAWING		WEIGHT -	SCALE 5:1	SHEET 1 OF 1 REV C