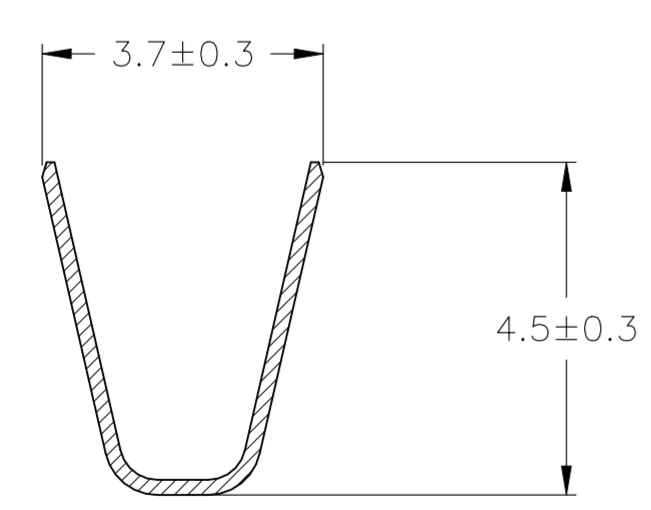
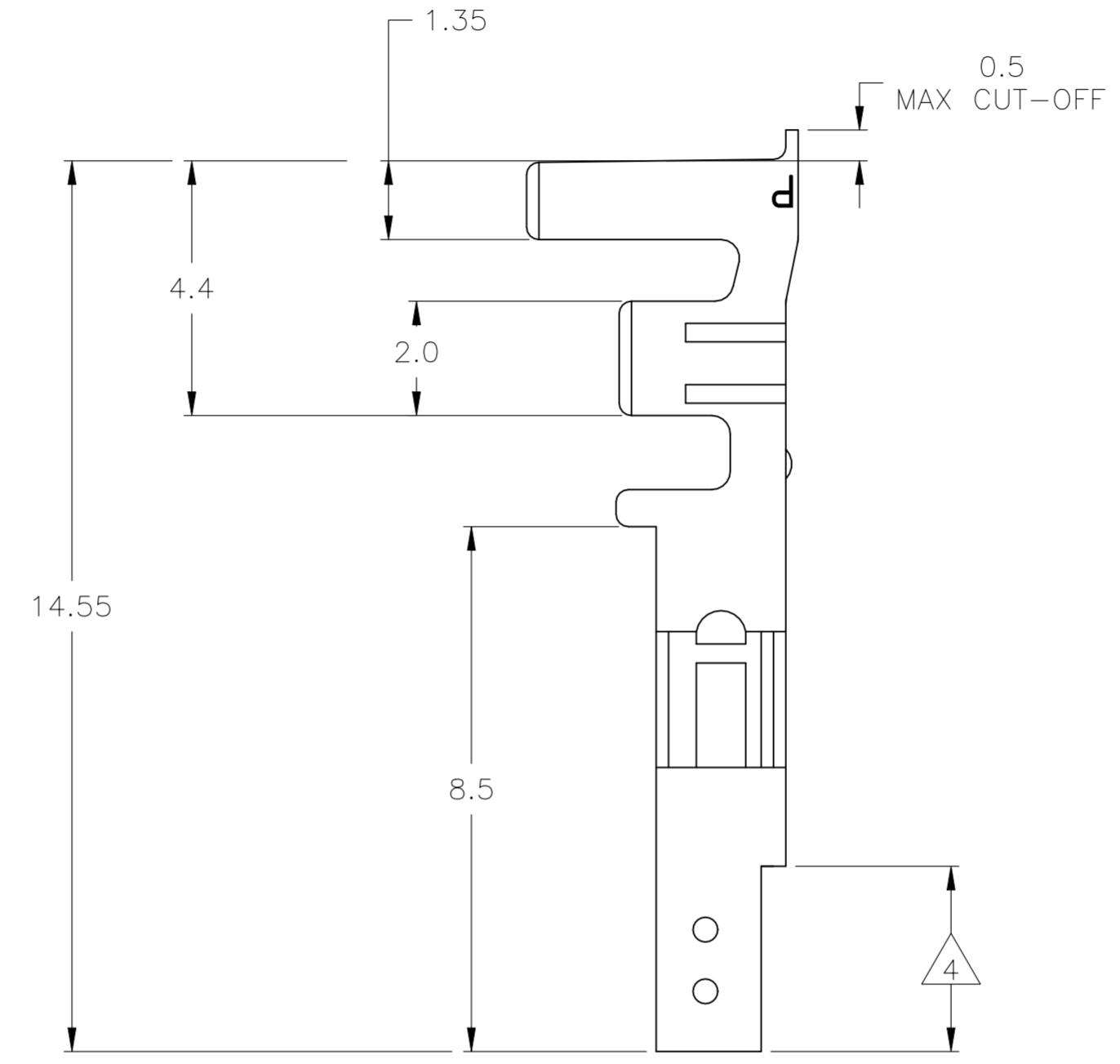
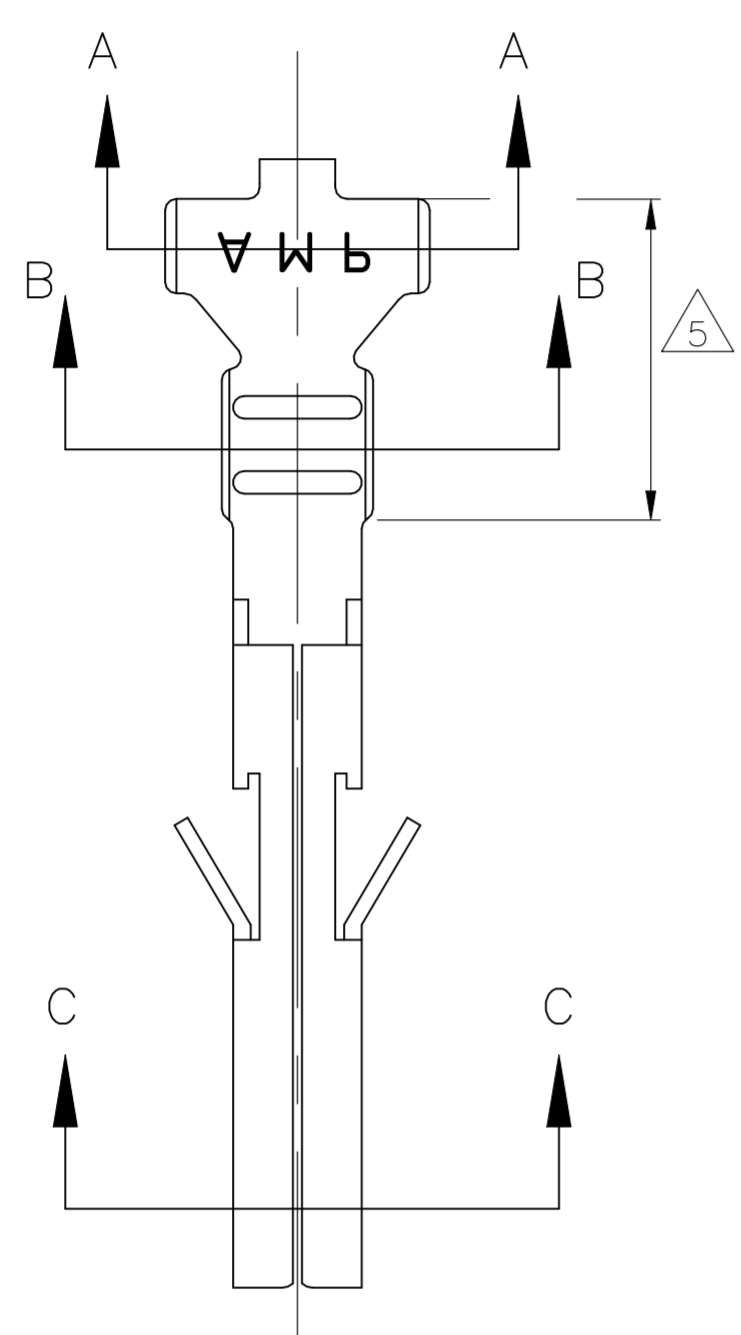
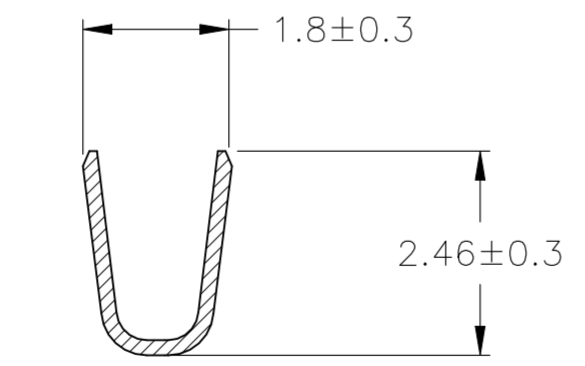


REVISIONS					
P	LTR	DESCRIPTION	DATE	DWN	APVD
C		REVISED PER ECR-23-173068	06DEC2023	P.C	D.Z

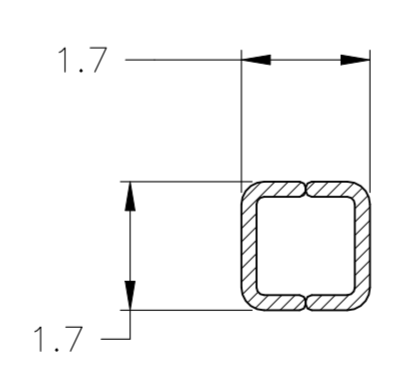
- 1 WIRE RANGE: 0.2-0.8mm² (24-18 AWG).
- 2 INSULATION RANGE: 1.5-2.4 DIA.
- 3 FINISH: 1.27μm MIN NICKEL ALL OVER
- 4 FINISH: 0.76μm MIN GOLD REQUIRED ON INNER SURFACE, PERMITTED ON OUTER SURFACE.
- 5 FINISH: 2.54μm MIN TIN ON ALL SURFACES IN THIS AREA.
- 6 FINISH: 2.54μm MIN PRE-TIN ALL OVER. (BEFORE AND AFTER STAMPING)



SECTION A-A



SECTION B-B



SECTION C-C

GOLD	3 4 5	PHOS. BRZ.	1586315-4
PRE-TIN	6	PHOS. BRZ.	1586315-3
GOLD	3 4 5	BRASS	1586315-2
PRE-TIN	6	BRASS	1586315-1
FINISH:		MATERIAL:	PART NO.

THIS DRAWING IS A CONTROLLED DOCUMENT.		DWN S. HOOVER 14-OCT-2003		
DIMENSIONS: mm [INCHES]		CHK D. COLEY 14-OCT-2003		
TOLERANCES UNLESS OTHERWISE SPECIFIED:		APVD D. COLEY 14-OCT-2003	NAME D. COLEY	
0 PLC ±		PRODUCT SPEC 108-2112	TERMINAL LOOSE PIECE, SOCKET VAL-U-LOK(TM)	
1 PLC ± 0.3		APPLICATION SPEC 114-13172	SIZE A2	CAGE CODE 00779
2 PLC ± 0.15		WEIGHT -	DRAWING NO C=1586315	RESTRICTED TO -
3 PLC ± -		MATERIAL	SCALE 10:1	SHEET 1 OF 1
4 PLC ±		FINISH	REV C	
ANGLES ±		CUSTOMER DRAWING		