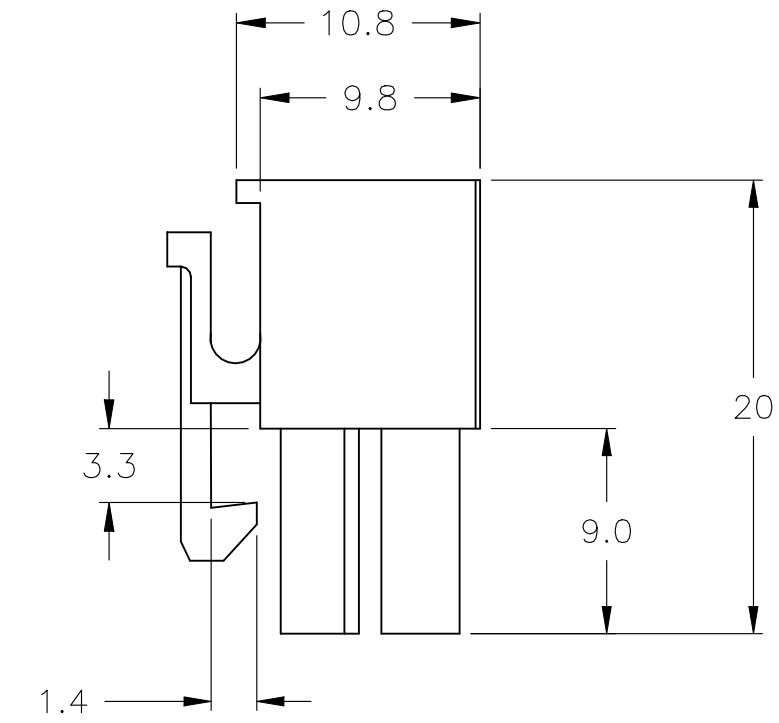
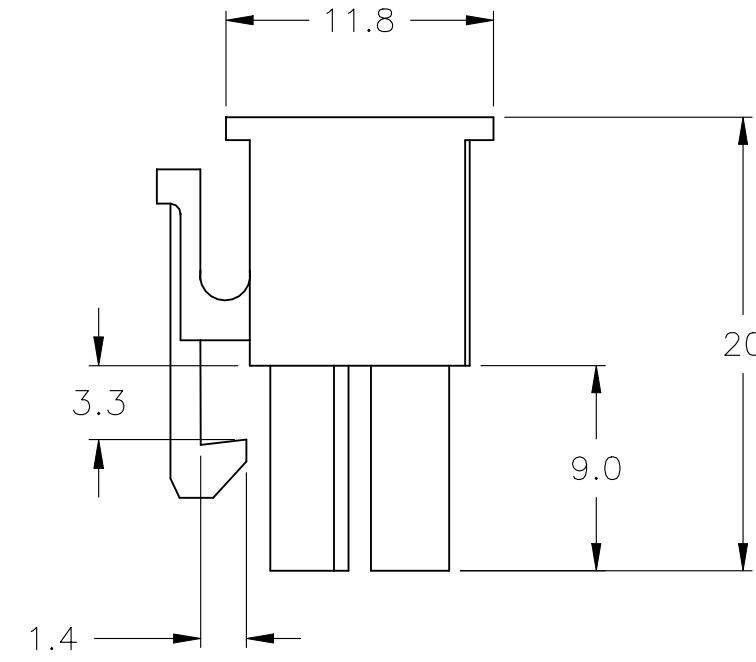
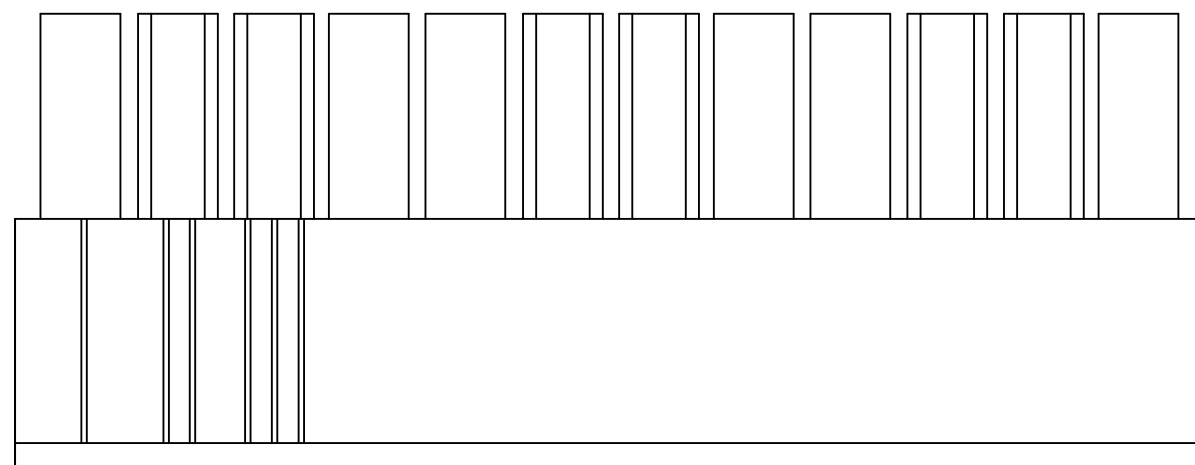
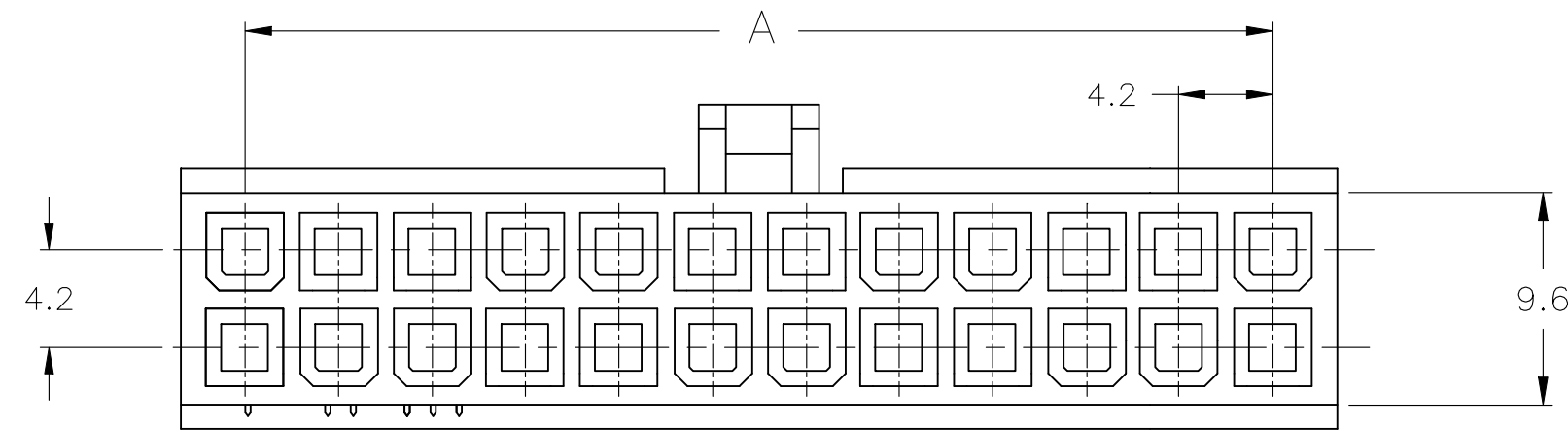
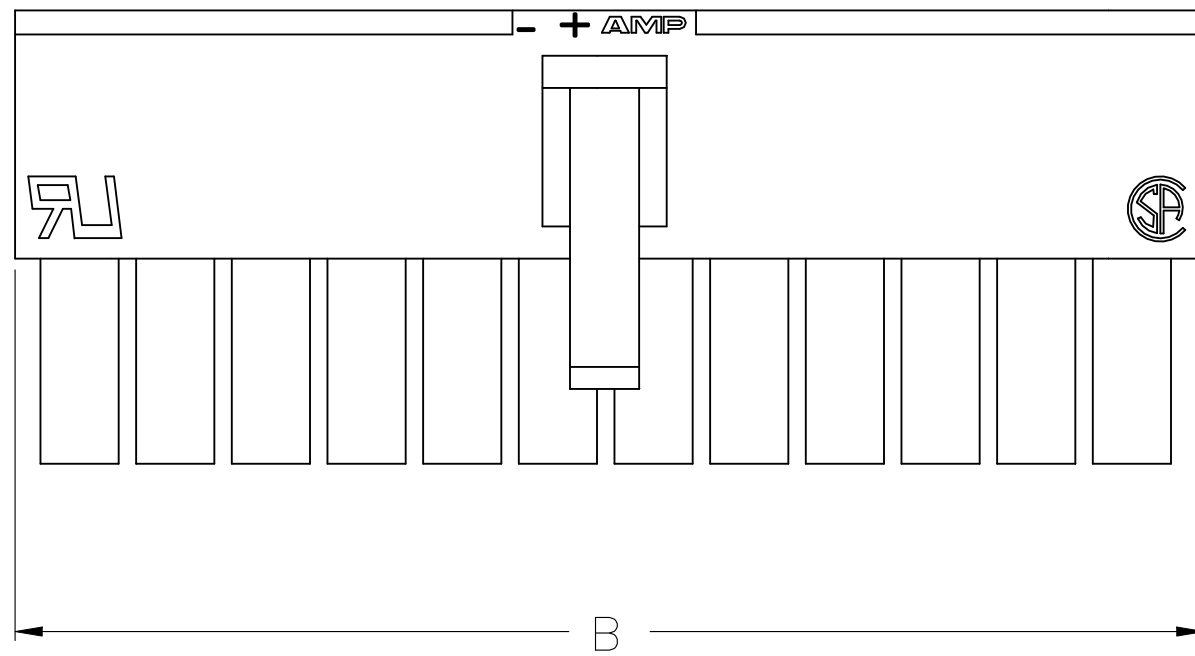
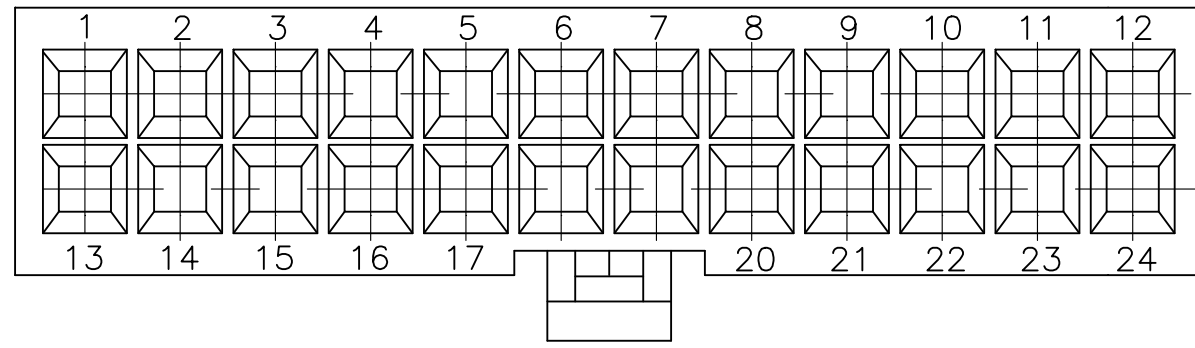


REVISIONS					
P	LTR	DESCRIPTION	DATE	DWN	APVD
D		REVISED PER ECR-23-163258	14NOV2023	P.C	D.Z

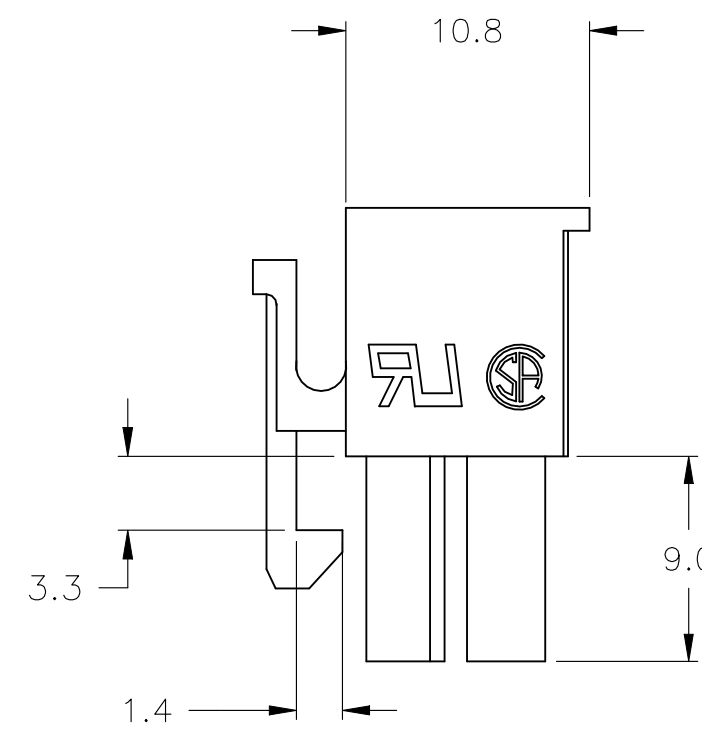
1 MATERIAL: THERMOPLASTIC NYLON66UL94V-0. NATURAL COLOR.

2 THIS HOUSING ACCEPTS TERMINAL: 794956-1 AND OTHER SIMILAR TERMINALS

3 RECOMMENDED MATING PART: []-1586017-[]



ONLY FOR 5-1586019-8



ONLY FOR 1586019-2

5.4	-	2	1586019-2
9.6	4.2	4	1586019-4
13.8	8.4	6	1586019-6
18.0	12.6	8	1586019-8
22.2	16.8	10	1-1586019-0
26.4	21.0	12	1-1586019-2
30.6	25.2	14	1-1586019-4
34.8	29.4	16	1-1586019-6
39.0	33.6	18	1-1586019-8
43.2	37.8	20	2-1586019-0
47.4	42.0	22	2-1586019-2
51.6	46.2	24	2-1586019-4
18.0	12.6	8	5-1586019-8
DIM B	DIM A	POS.	PART NUMBER

THIS DRAWING IS A CONTROLLED DOCUMENT.		DWN S. HOOVER 19-AUG-2002		
DIMENSIONS: mm [INCHES]		CHK D. COLEY 19-AUG-2002		
TOLERANCES UNLESS OTHERWISE SPECIFIED:		APVD D. COLEY 19-AUG-2002	NAME	
0 PLC ± 0.5		PRODUCT SPEC	RECEPTACLE HOUSING, VO, VAL-U-LOK(TM)	
1 PLC ± 0.4		APPLICATION SPEC	SIZE	CAGE CODE
2 PLC ±		108-2112	A2	00779
3 PLC ±		114-13172	DRAWING NO	RESTRICTED TO
4 PLC ±		WEIGHT	C=1586019	-
ANGLES ±		CUSTOMER DRAWING	SCALE	SHEET
FINISH		1	3:1	1 OF 1
			REV	D