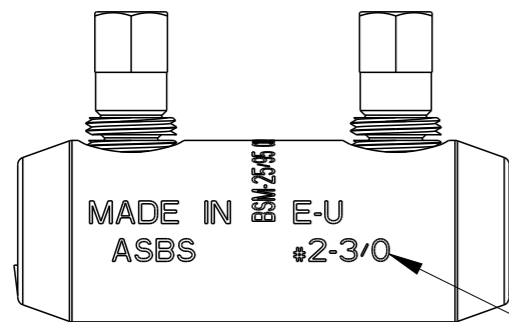


© 2020 TE Connectivity. All Rights Reserved.

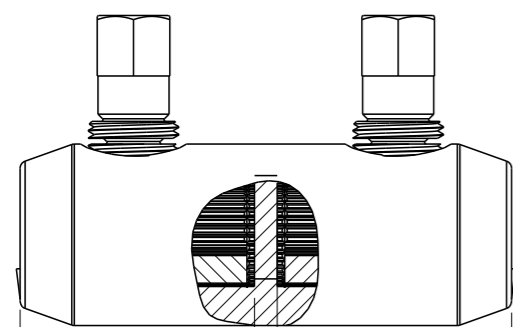
ASBS-2-3/0	I574846-4	YES
BSM-25/95-U	F40757N001	NO
BSM-25/95	C85068N001	NO
DESCRIPTION	PN	INK-MARKING

REVISIONS					
P	LTR	DESCRIPTION	DATE	DWN	APVD
	A	UPDATED	26APR04	PB	AD
	B	MODIFICATION OF RANGE SIZE	24MAY2006	BP	AD
	C	ADDITIONAL PRODUCTS	14DEC2007	BM	AG
	D	HEX BOLT HEAD REDUCED PER ECR	02SEP2020	NB	BM



INK MARKING

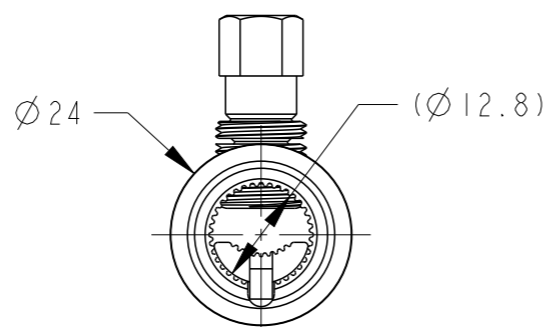
ASBS-2-3/0



30 (1.18) 30 (1.18)

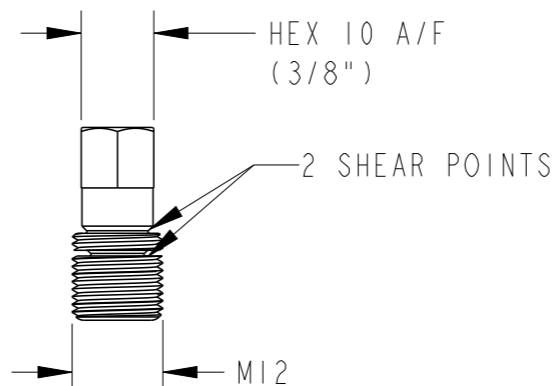
65 (2.56)

BSM-25/95



Ø24

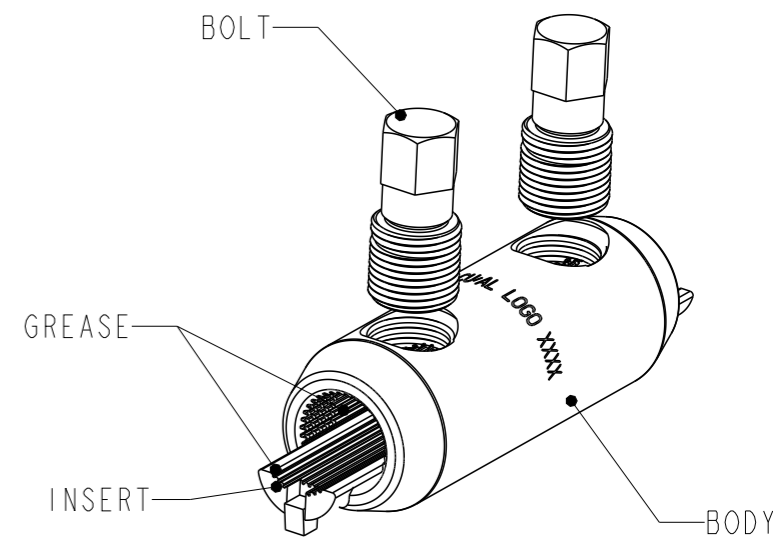
(Ø12.8)



HEX 10 A/F (3/8")

2 SHEAR POINTS

M12



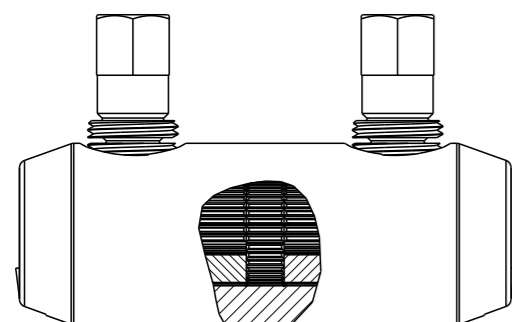
BOLT

GREASE

INSERT

BODY

		AL			CU			
		RM ROUND STRANDED	RE ROUND SOLID	SM SECTOR STRANDED	RE ROUND SOLID	RM ROUND STRANDED	SM SECTOR STRANDED	ROUND FLEXIBLE
CONDUCTOR CROSS-SECTION QUERSCHNITTSBEREICH mm <sup>2</sup>	mm <sup>2</sup>	25-95	16-95	25-70 (95 with rounding)	10-50	10-95	25-70 (95 with rounding)	25-70 70
	"	2 to 3/0 kcmil standard				2 to 3/0 kcmil standard		
CONDUCTOR DIAMETER LEITERDURCHMESSER mm	mm <sup>2</sup>	Ø5.6-Ø12.5	Ø4.1-Ø11	-	Ø3.6-Ø8	Ø3.6-Ø12.5	-	Ø6.3-Ø9.2 (25 <sup>2</sup> -35 <sup>2</sup> ) Ø11-Ø12 (FOR 702)
	"	.268" to .470"		-		.268" to .470"	-	



BSM-25/95-U

TOLERANCES UNLESS OTHERWISE SPECIFIED: -  
TOLERANCES NON SPECIFIEES: -

THIS DRAWING IS A CONTROLLED DOCUMENT.		DWN J. BERLAND 09/04/02	TE Connectivity			
DIMENSIONS: mm		CHK A. DUPONT				
 TOLERANCES UNLESS OTHERWISE SPECIFIED: 0 PLC ± 1 PLC ± 2 PLC ± 3 PLC ± 4 PLC ± ANGLES ±		APVD N. ALMEIDA	NAME BSM-25/95 BSM-25/95-U ASBS-2-3/0			
		PRODUCT SPEC -	APPLICATION SPEC IEC 61238	SIZE A3	CAGE CODE -	DRAWING NO C=1574846
MATERIAL AL ALLOY		FINISH TINNED	WEIGHT 75g	SCALE 1:1	SHEET 1 OF 1	REV D
CUSTOMER DRAWING						