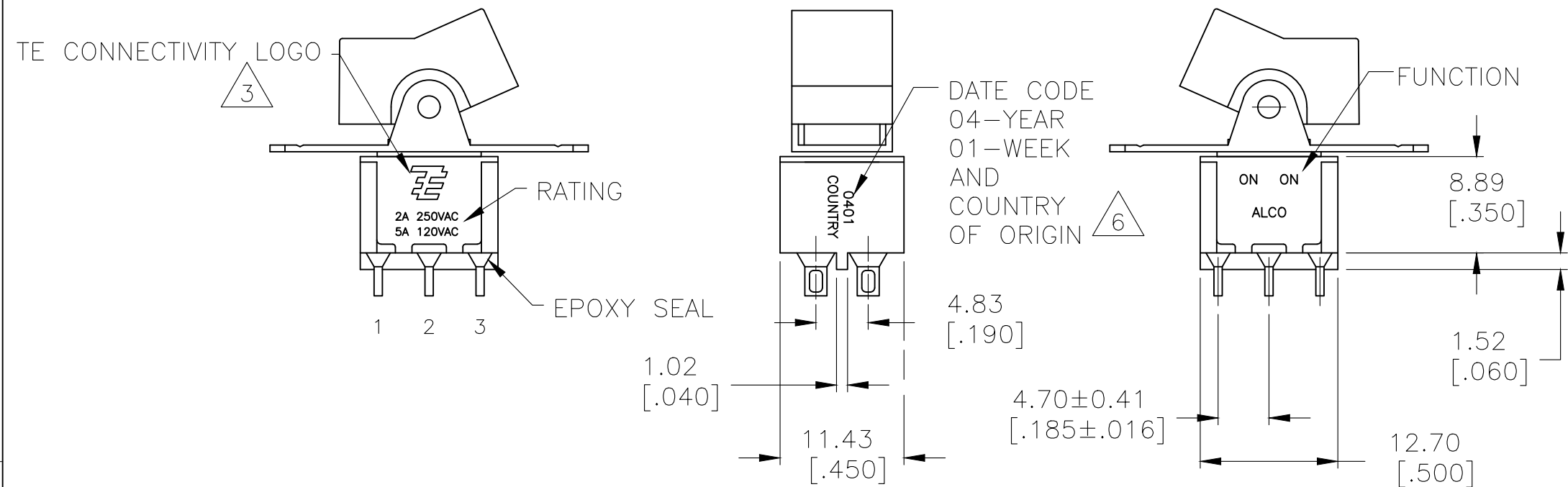


THIS DRAWING IS UNPUBLISHED. RELEASED FOR PUBLICATION. ALL RIGHTS RESERVED.

REVISIONS				
P	LTR	DESCRIPTION	DATE	APVD
	A8	REVISED PER ECO-17-001761	10MAY2017	RK AS



- ALL MATERIALS AND FINISHES SHALL COMPLY WITH EU DIRECTIVE 2002/95/EC OF 27JAN2003 (ROHS).
- G CONTACT OPTION CAN BE USED FOR SIGNAL OR POWER LEVEL SWITCHING. IF SWITCH IS USED AT LEVELS EXCEEDING .4VA @ 20V AC/DC, SWITCH IS RENDERED FOR POWER SWITCHING ONLY DUE TO ARC REMOVAL OF GOLD PLATING. RATING MARKED ON THE SWITCH IS 2A 250VAC, 5A 120VAC.
- TE CONNECTIVITY LOGO PER PER TEC-202-36.
- SP3T FUNCTION ACHIEVED WITH FUNCTIONS 11, 13, & 15 BY CUSTOMER APPLIED JUMPER BETWEEN TERMINALS 3 & 5.
- DATE CODE AND COUNTRY OF ORIGIN MAY APPEAR ON EITHER SIDE OF SWITCH.
- PANEL MOUNT BRACKET SUPPLIED WITH TERMINALS W, Z AND Z3 ONLY.
- ALL LOGO, RATING, DATE CODE, AND FUNCTION MARKINGS TO BE LASER MARKED.

### FUNCTION CHART

FUNCTION			
01	ON	NONE	ON
03	ON	OFF	ON
05	(ON)	OFF	(ON)
07	ON	OFF	(ON)
08	ON	NONE	(ON)
TERMINALS CONNECTED	2-3, 5-6	---	1-2, 4-5
11	ON	ON	ON
13	ON	ON	(ON)
15	(ON)	ON	(ON)
TERMINALS CONNECTED	2-3, 5-6	2-3, 4-5	1-2, 4-5
SP3T SCHEMATIC (11, 13 & 15 ONLY) NOTE 5			
	IN 2, OUT 6	IN 2, OUT 4	IN 2, OUT 1

NONE: NO MECHANICAL POSITION  
 OFF: MECHANICAL POSITION WITH NO ELECTRICAL CONNECTION  
 (ON): MOMENTARY ACTION

### SPECIFICATIONS

RATING, B CONTACTS	.4VA MAX @20V MAX. AC OR DC
RATING, G CONTACTS—SEE NOTE 2	.4VA MAX @20V MAX. AC OR DC OR 5A @120 VAC OR 28 VDC (RESISTIVE)
	2A @250 VAC (RESISTIVE)
RATING, Q CONTACTS	5A @120 VAC OR 28 VDC (RESISTIVE)
	2A @250 VAC (RESISTIVE)
ELECTRICAL LIFE	6,000 CYCLES AT RATED LOAD
CONTACT RESISTANCE	10 MILLIOHMS MAX INITIAL @ 2-4VDC, 100MA
INSULATION RESISTANCE	1,000 MEGOHMS MIN
DIELECTRIC WITHSTANDING VOLTAGE	1,000 V RMS AT SEA LEVEL
OPERATING TEMPRATURE	-30C TO 85C

### PART NUMBER SEQUENCE

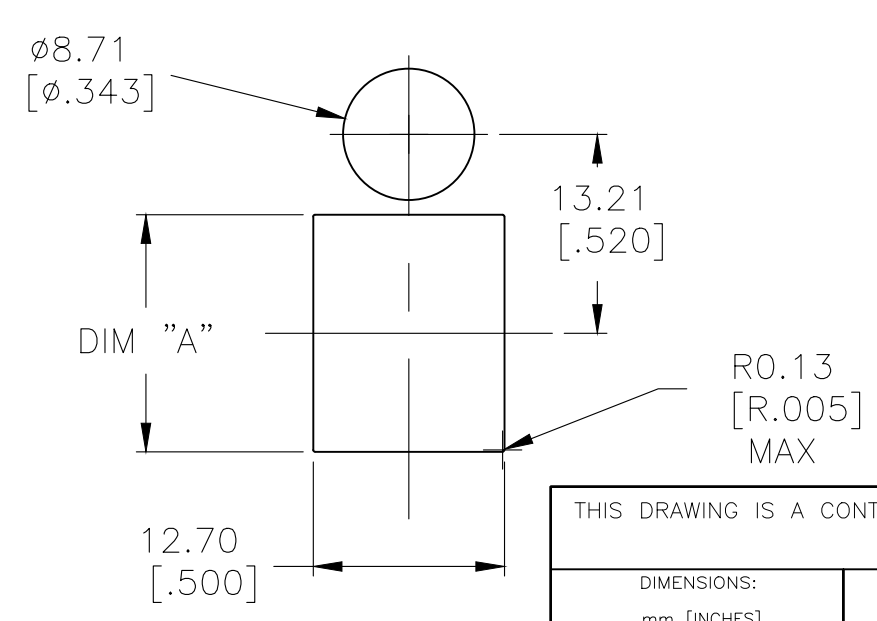
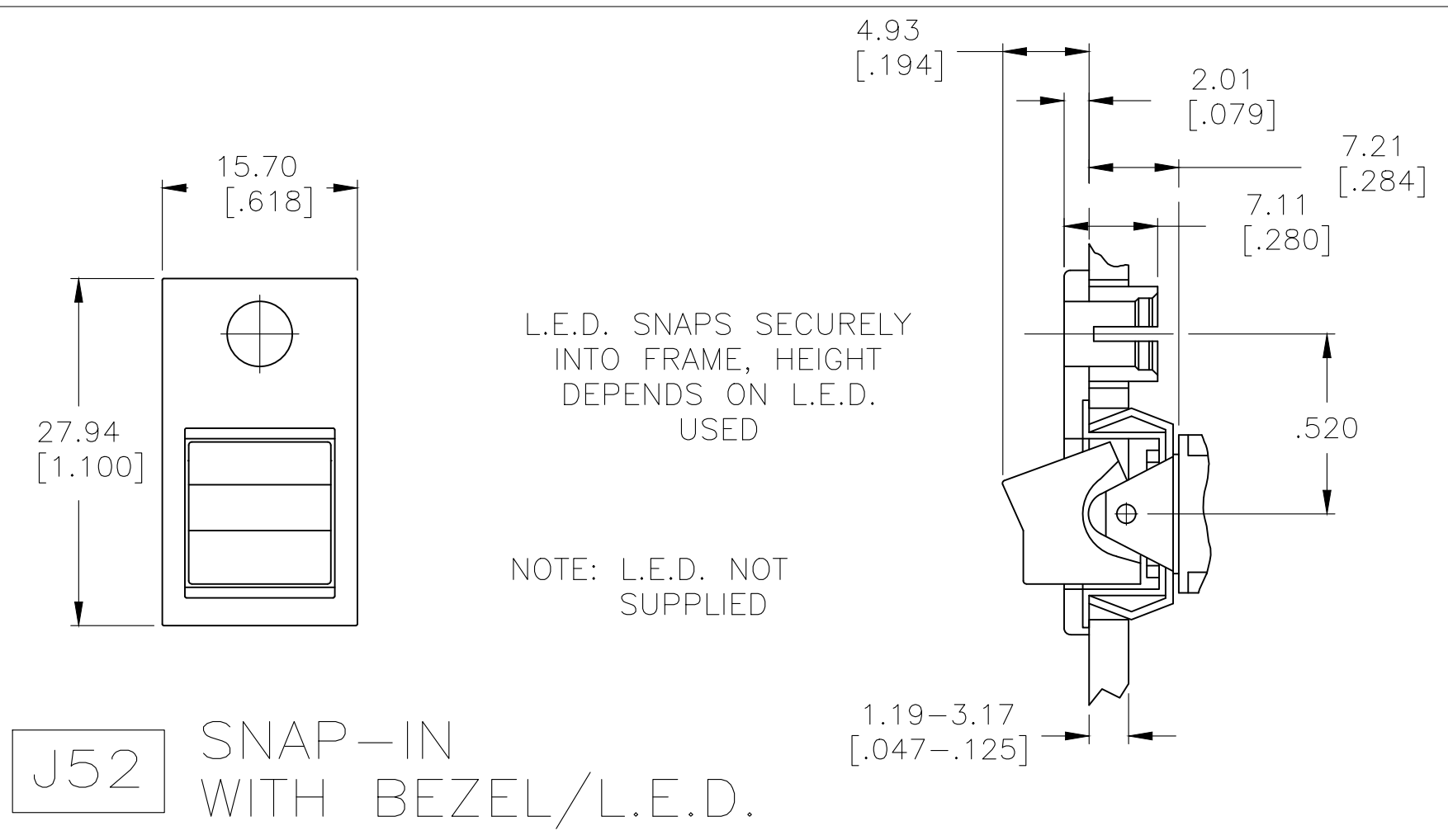
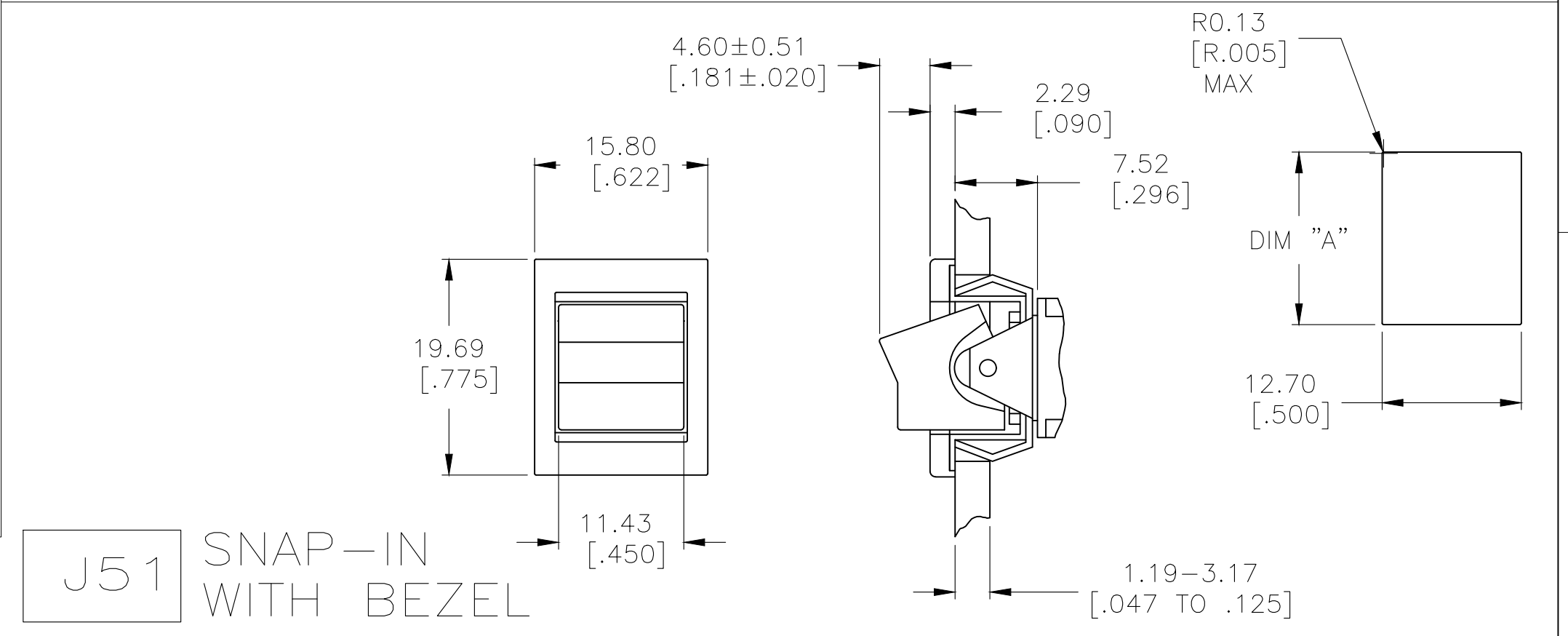
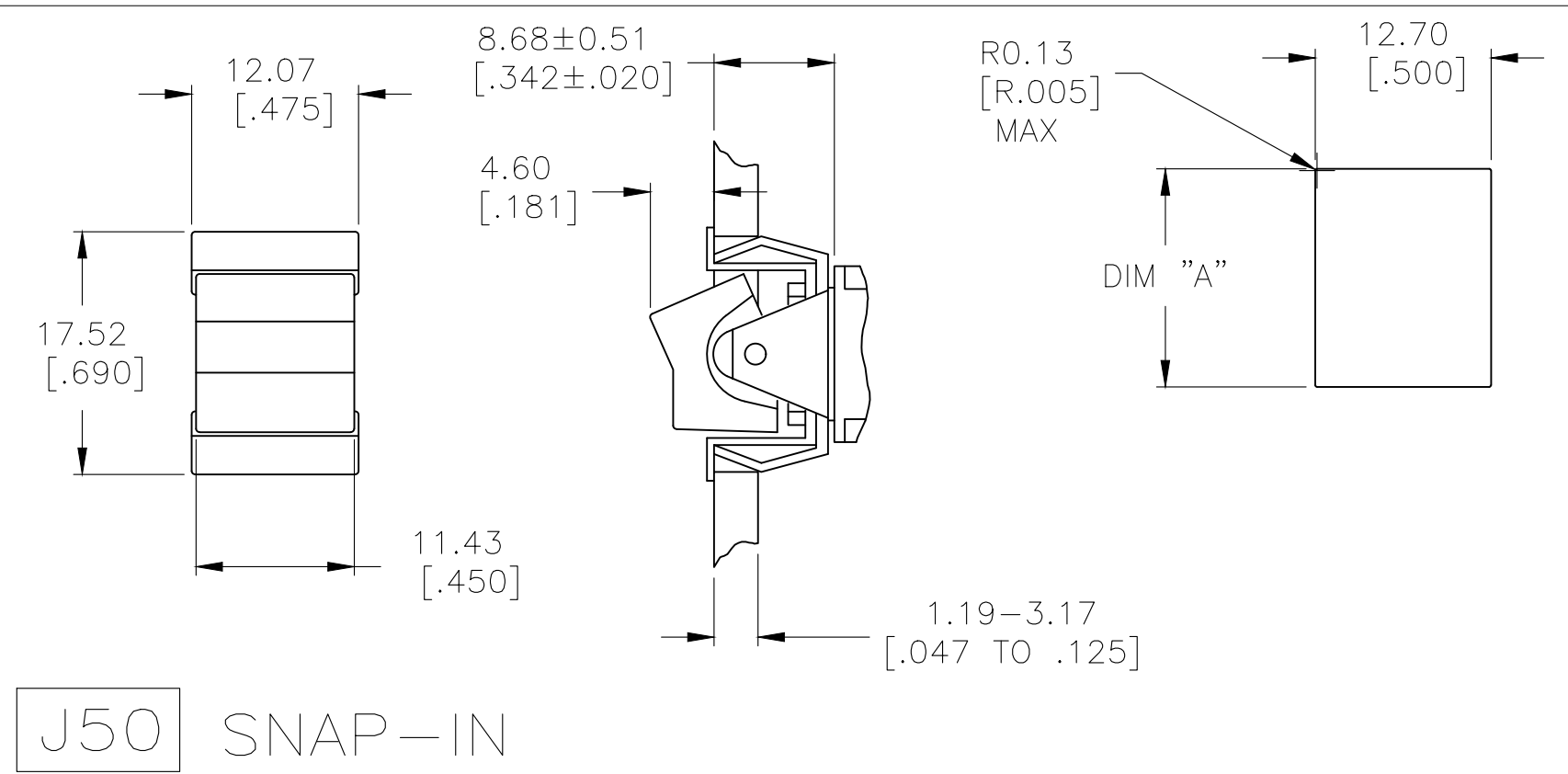
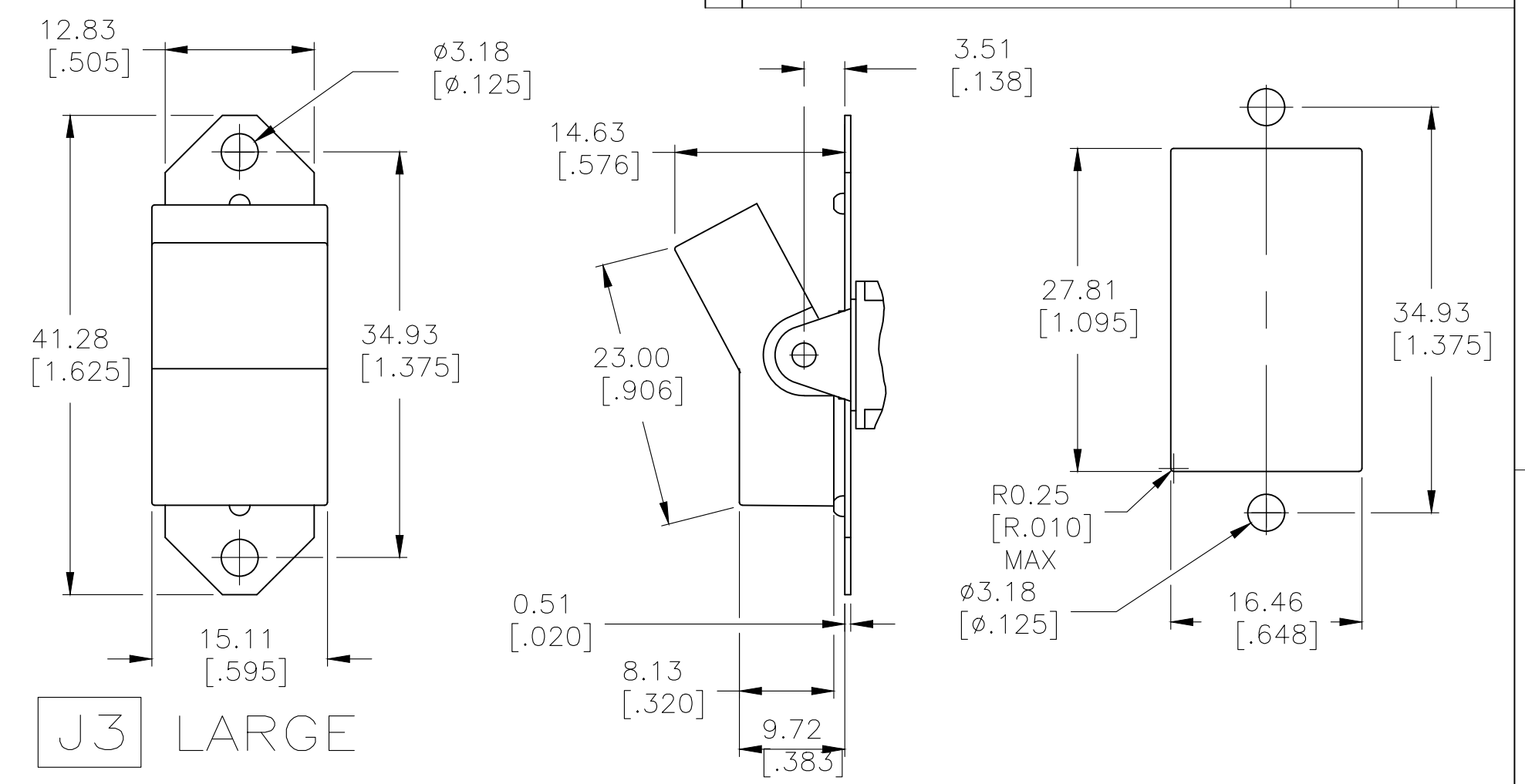
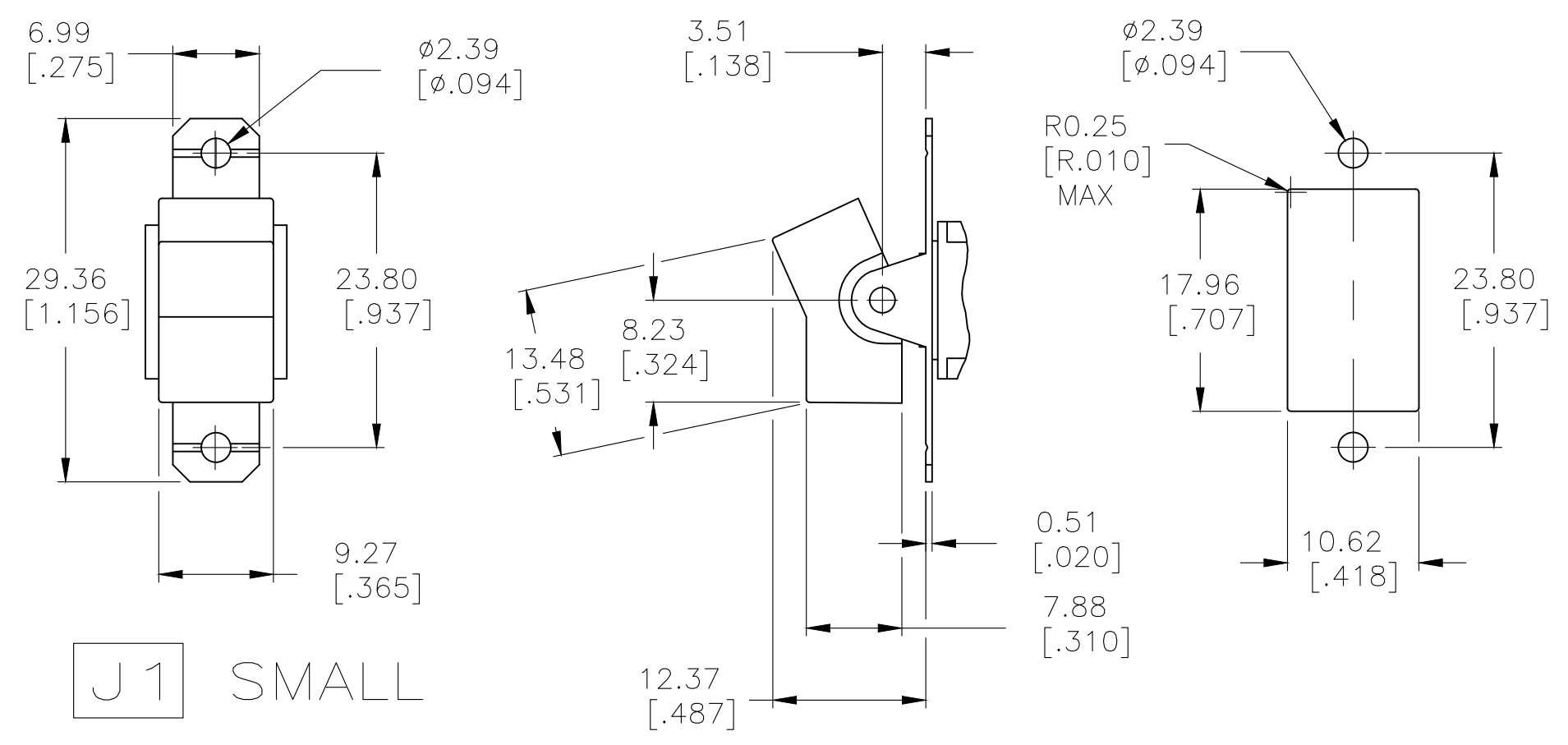
MODEL	FUNCTION	ACTUATOR	TERMINAL	CONTACT	ACTUATOR COLOR	FRAME COLOR	ROHS
A2							04
	01	J1	A	B	0 BLACK (STD)	0 BLACK (STD)	
	03	J3	AV2	G	1 BROWN	1 BROWN	
	05	J50	C	Q	2 RED	2 RED	
	07	J51	V3		3 ORANGE	3 ORANGE	
	08	J52	V4		4 YELLOW	4 YELLOW	
	11	J2	V7		5 GREEN	5 GREEN	
	13	J4	W		6 BLUE	6 BLUE	
	15	J60	W4		8 GRAY	8 GRAY	
		J61	Z		9 WHITE	9 WHITE	
		J62	Z3				

THIS DRAWING IS A CONTROLLED DOCUMENT.

DIMENSIONS: mm [INCHES]	TOLERANCES UNLESS OTHERWISE SPECIFIED:	DWN M.BINNER 06JAN05	TE Connectivity GEMINI A SERIES ROCKER SWITCH DOUBLE POLE
	0 PLC ± - 1 PLC ± - 2 PLC ± - 3 PLC ± .010 4 PLC ± - ANGLES ± 4°	CHK M.ZITTO 06JAN05	
		APVD M.ZITTO 06JAN05	
		PRODUCT SPEC	
MATERIAL	FINISH	APPLICATION SPEC	NAME SIZE CAGE CODE DRAWING NO RESTRICTED TO A2 00779 C-1571987
CUSTOMER DRAWING		WEIGHT	SCALE 2:1 SHEET 1 of 5 REV A8

THIS DRAWING IS UNPUBLISHED. RELEASED FOR PUBLICATION  
 © COPYRIGHT - By - ALL RIGHTS RESERVED.

REVISIONS				
P	LTR	DESCRIPTION	DATE	APVD
-	-	SEE SHEET 1	-	-

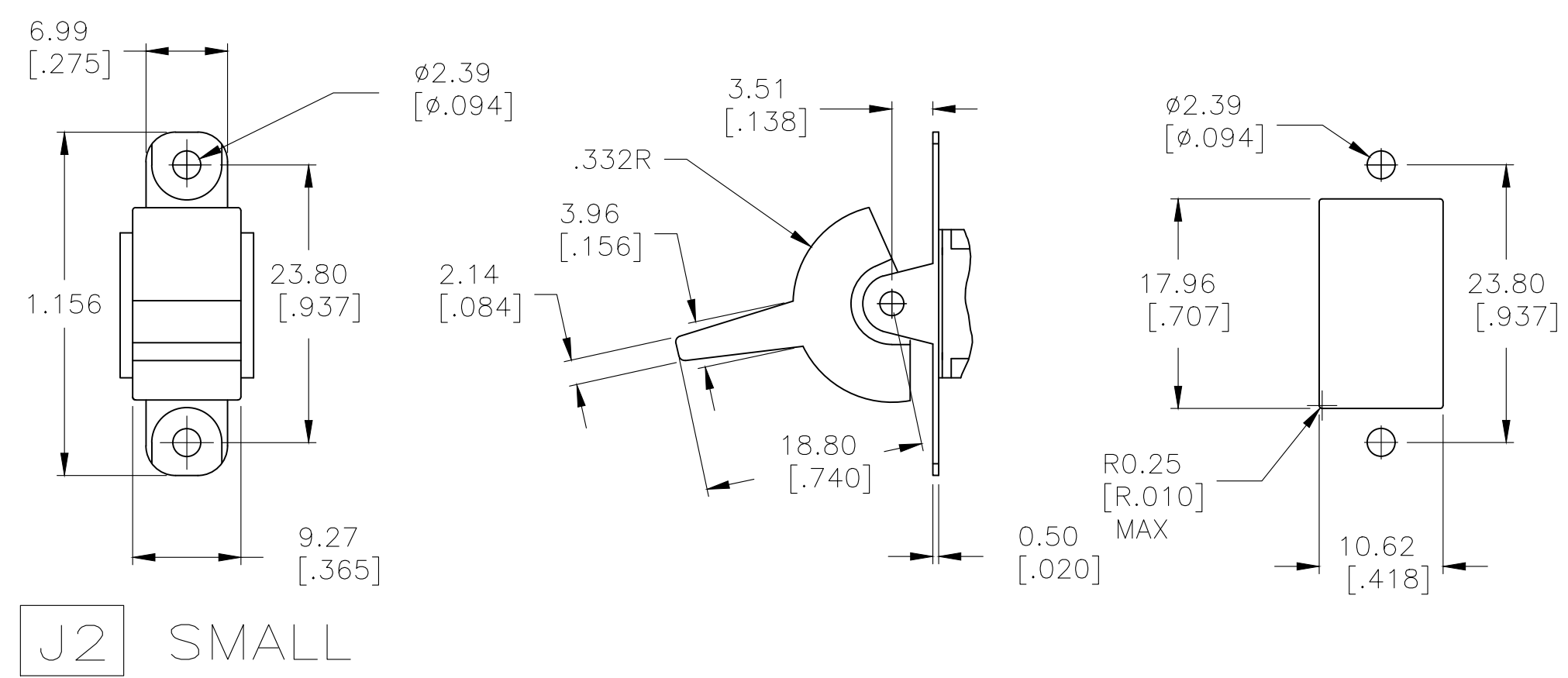


1.52-3.17 [.060-.125]	15.75-15.87 [.620-.625]
1.19-1.50 [.047-.059]	15.72 [.619]
PANEL THICKNESS	DIM "A"

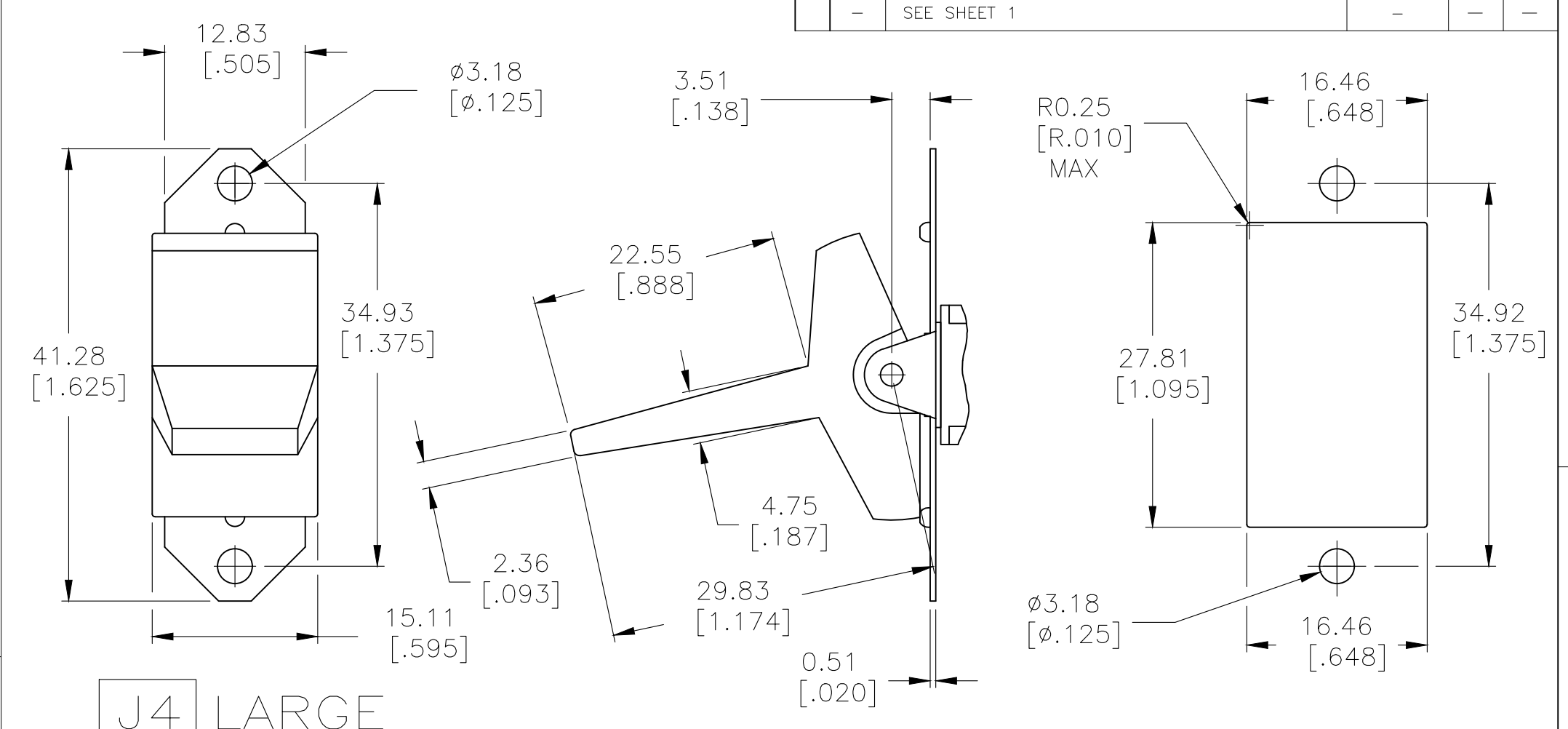
THIS DRAWING IS A CONTROLLED DOCUMENT.		DWN M.BINNER 06JAN05	<b>STE</b> TE Connectivity	
DIMENSIONS: mm [INCHES]		CHK M.ZITTO 06JAN05		
TOLERANCES UNLESS OTHERWISE SPECIFIED:		APVD M.ZITTO 06JAN05	NAME	
0 PLC ± -	1 PLC ± -	PRODUCT SPEC	GEMINI A SERIES ROCKER SWITCH DOUBLE POLE	
2 PLC ± -	3 PLC ± .010	APPLICATION SPEC	SIZE	CAGE CODE
4 PLC ± -	ANGLES ± 4°		A2	00779
MATERIAL	FINISH	WEIGHT	DRAWING NO	RESTRICTED TO
-	-	-	C=1571987	-
CUSTOMER DRAWING			SCALE 2:1	SHEET 2 of 5
			REV	A8

THIS DRAWING IS UNPUBLISHED. RELEASED FOR PUBLICATION  
 © COPYRIGHT - By - ALL RIGHTS RESERVED.

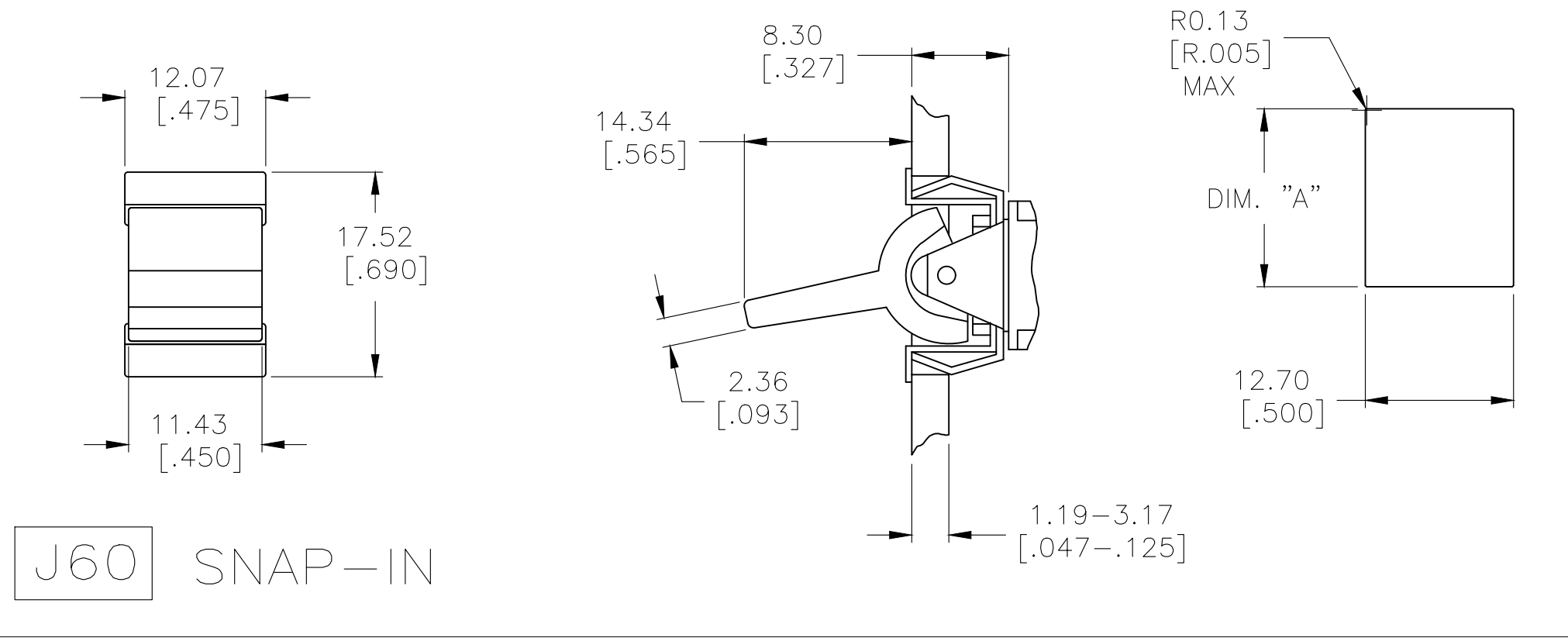
REVISIONS				
P	LTR	DESCRIPTION	DATE	APVD
-	-	SEE SHEET 1	-	-



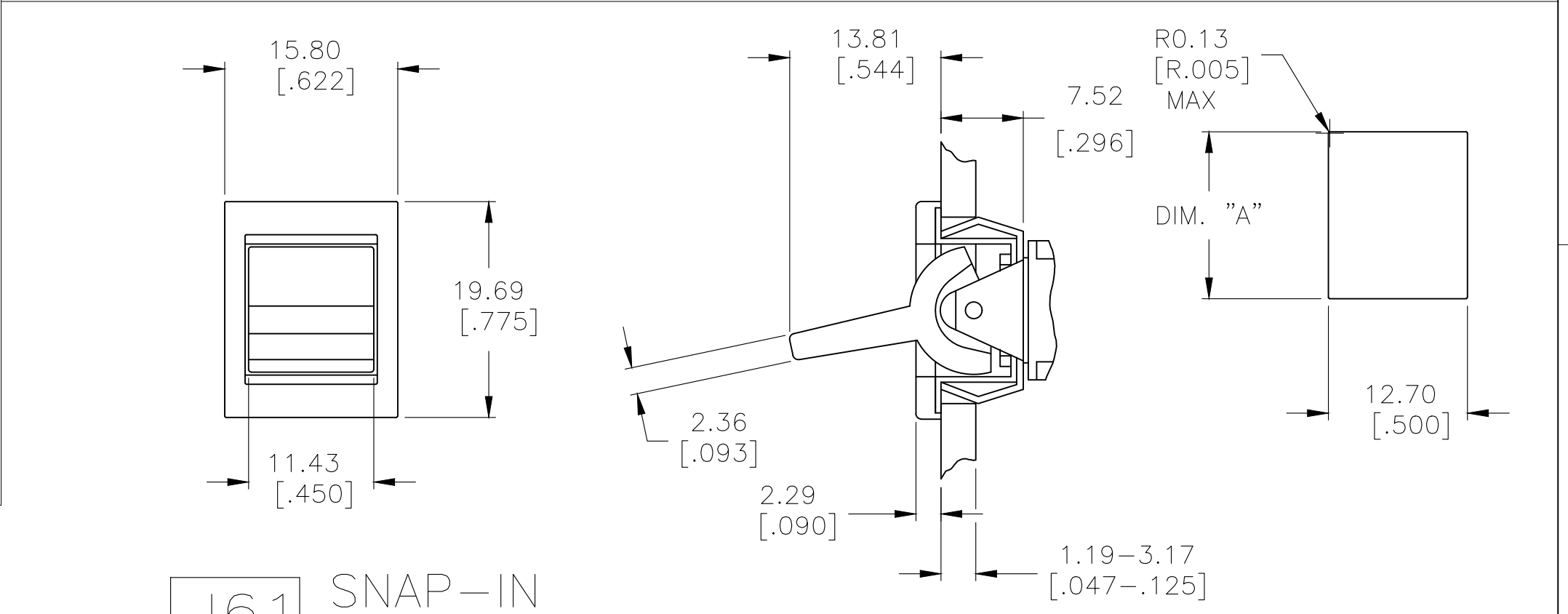
J2 SMALL



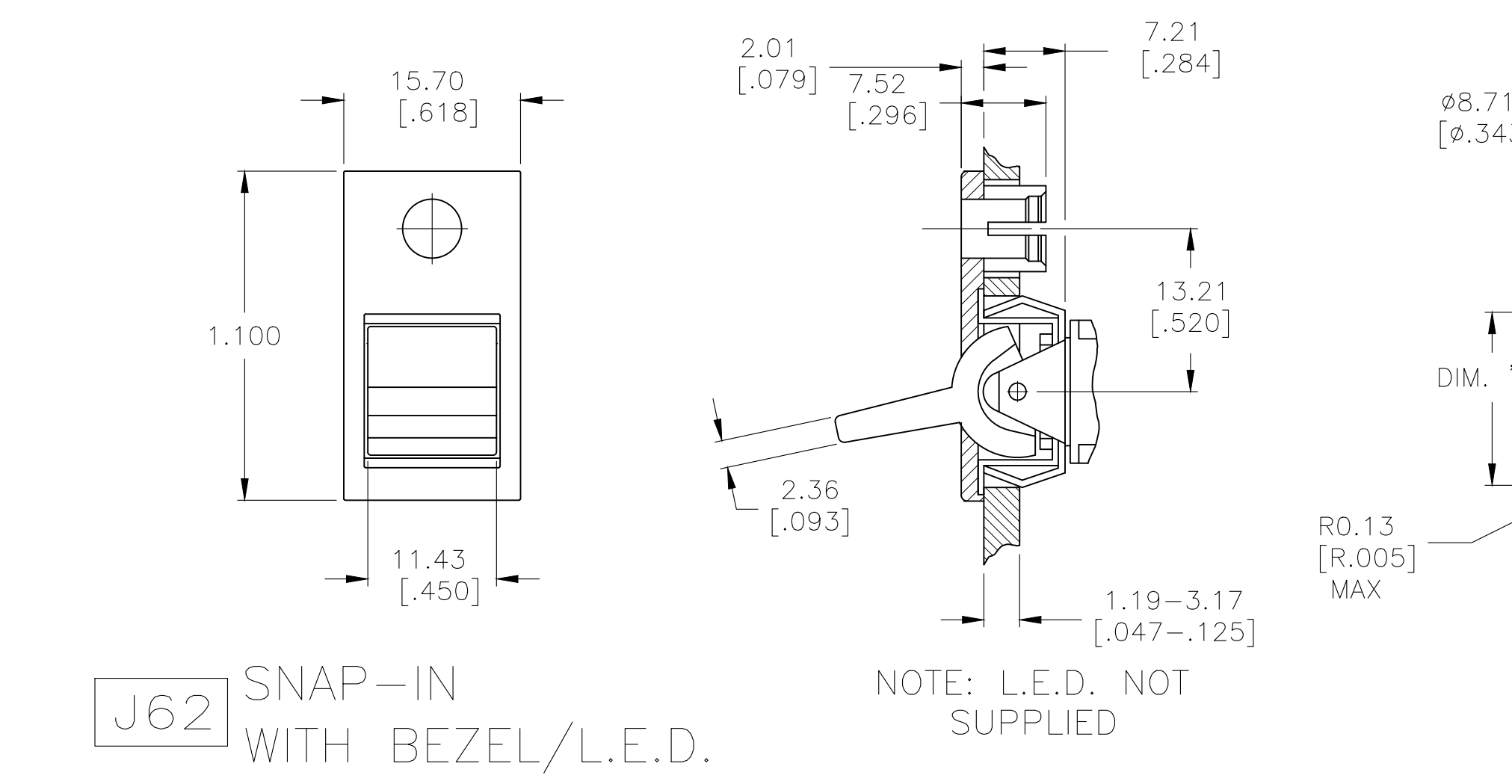
J4 LARGE



J60 SNAP-IN



J61 SNAP-IN WITH BEZEL



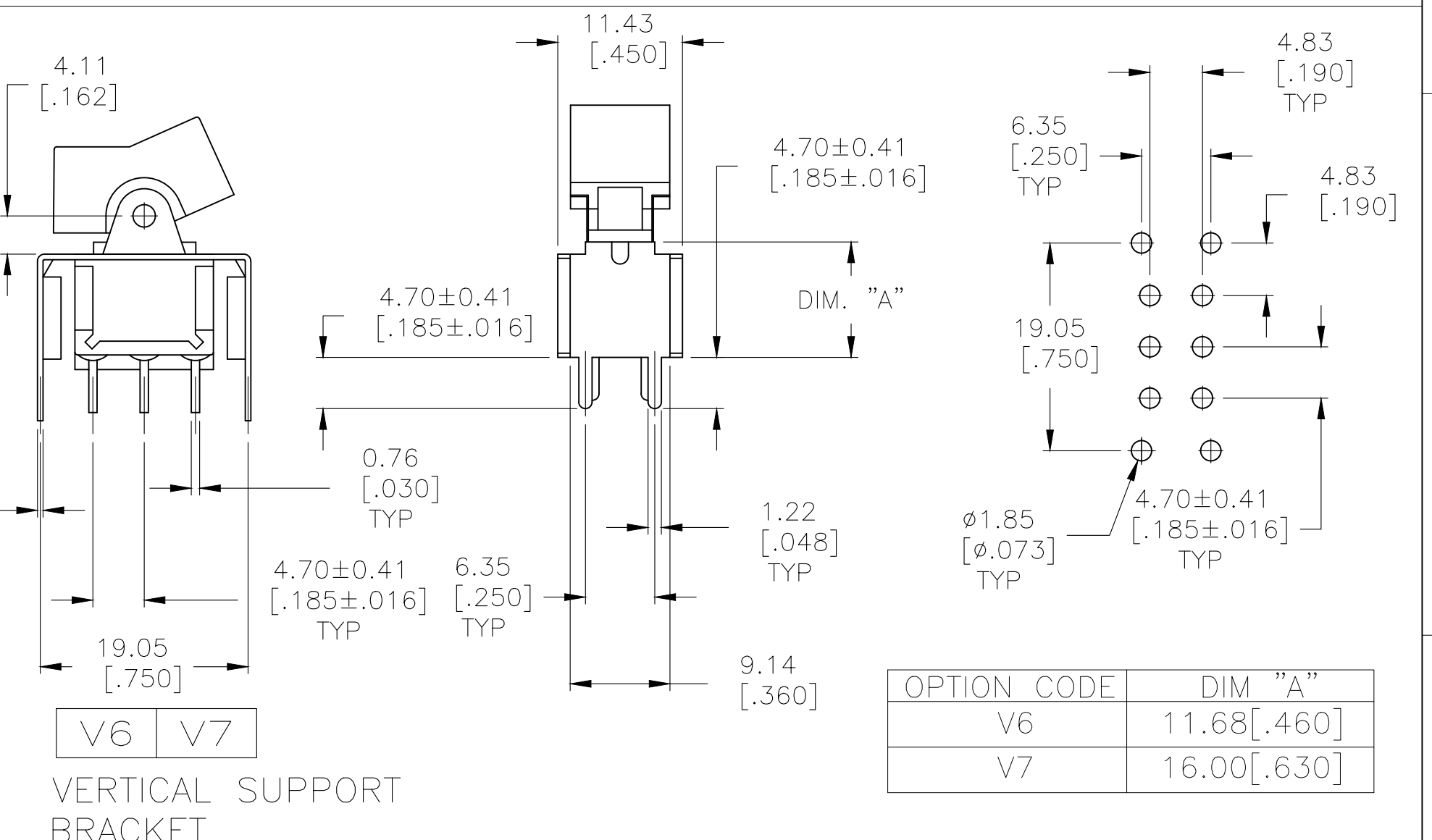
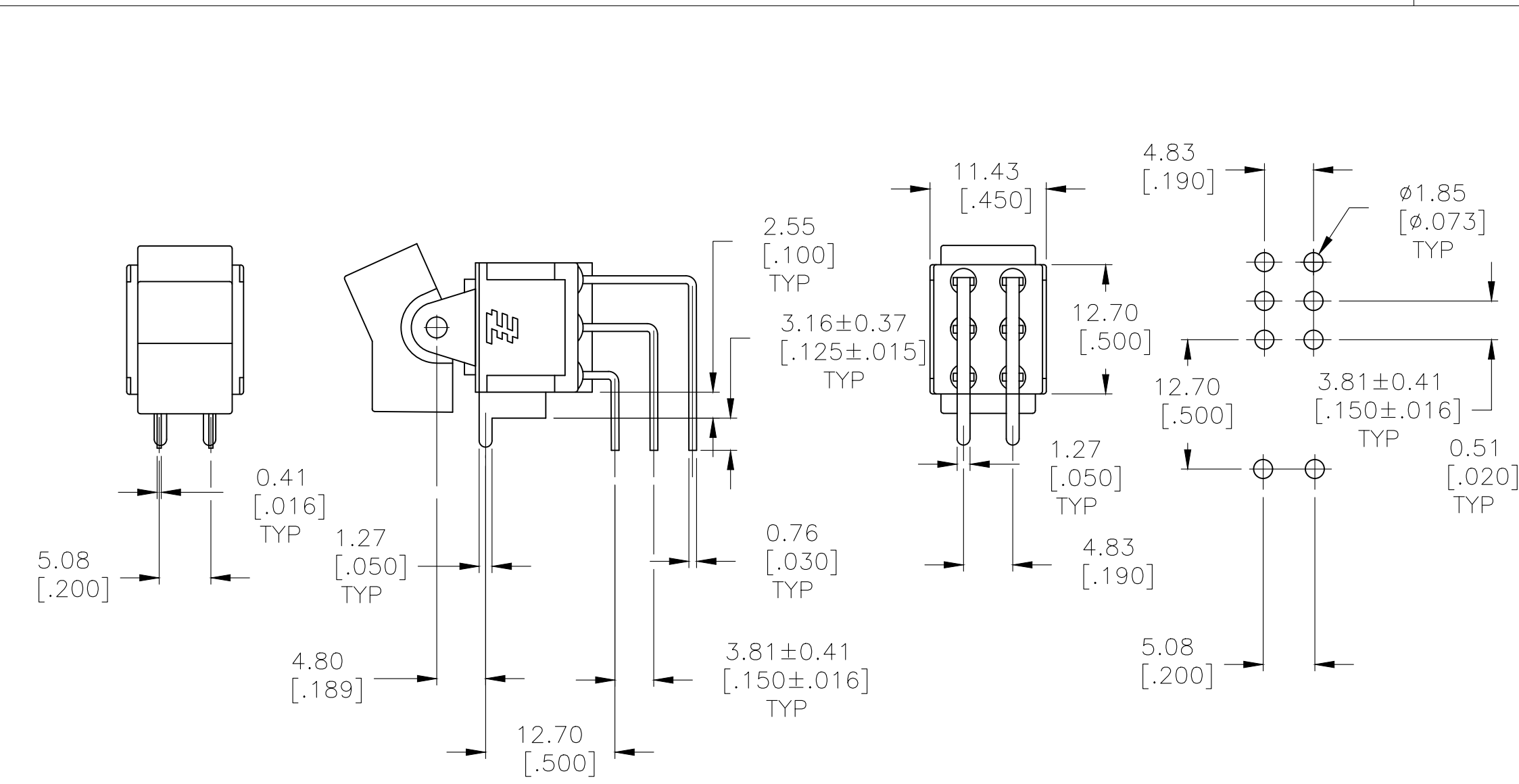
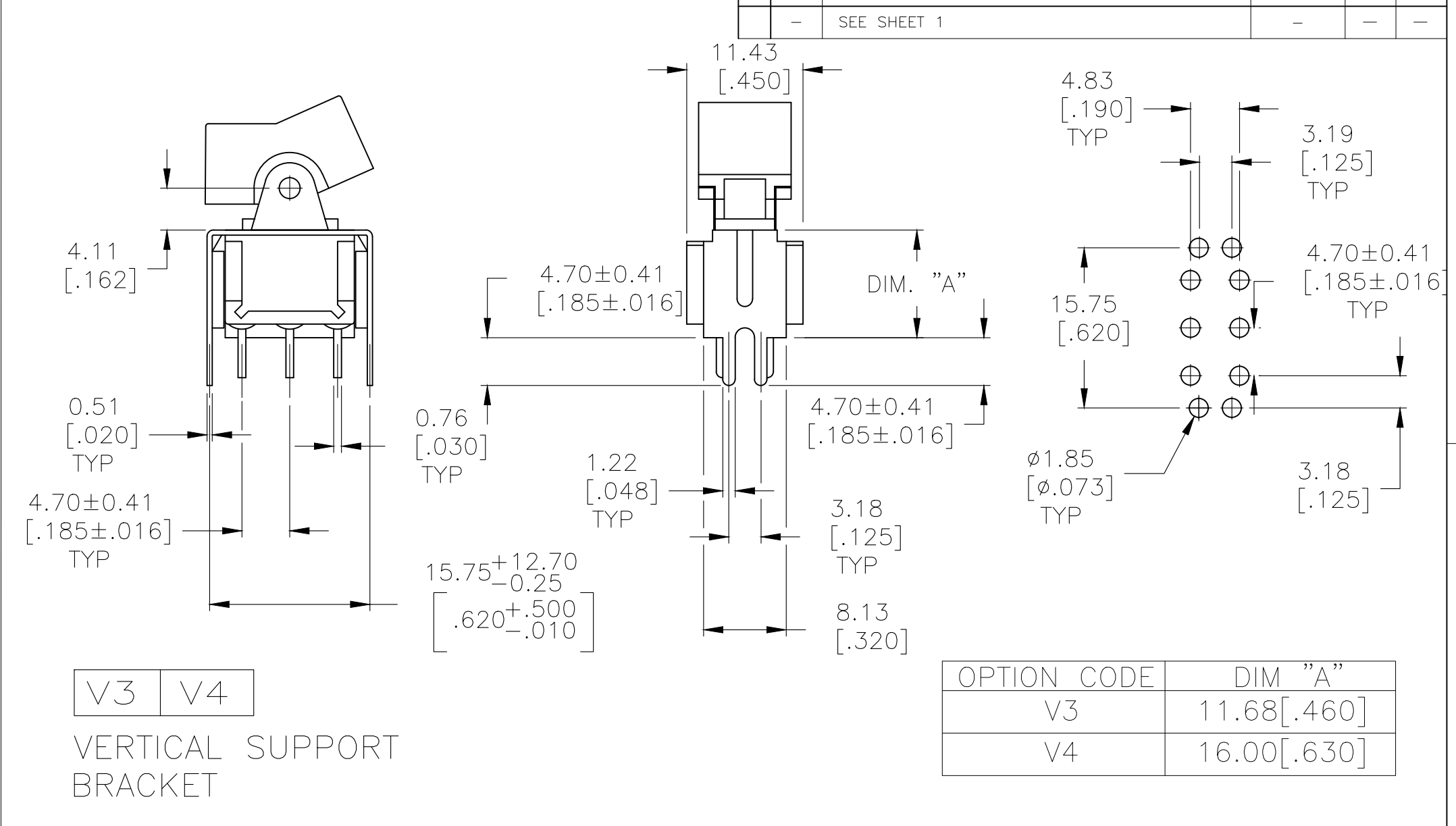
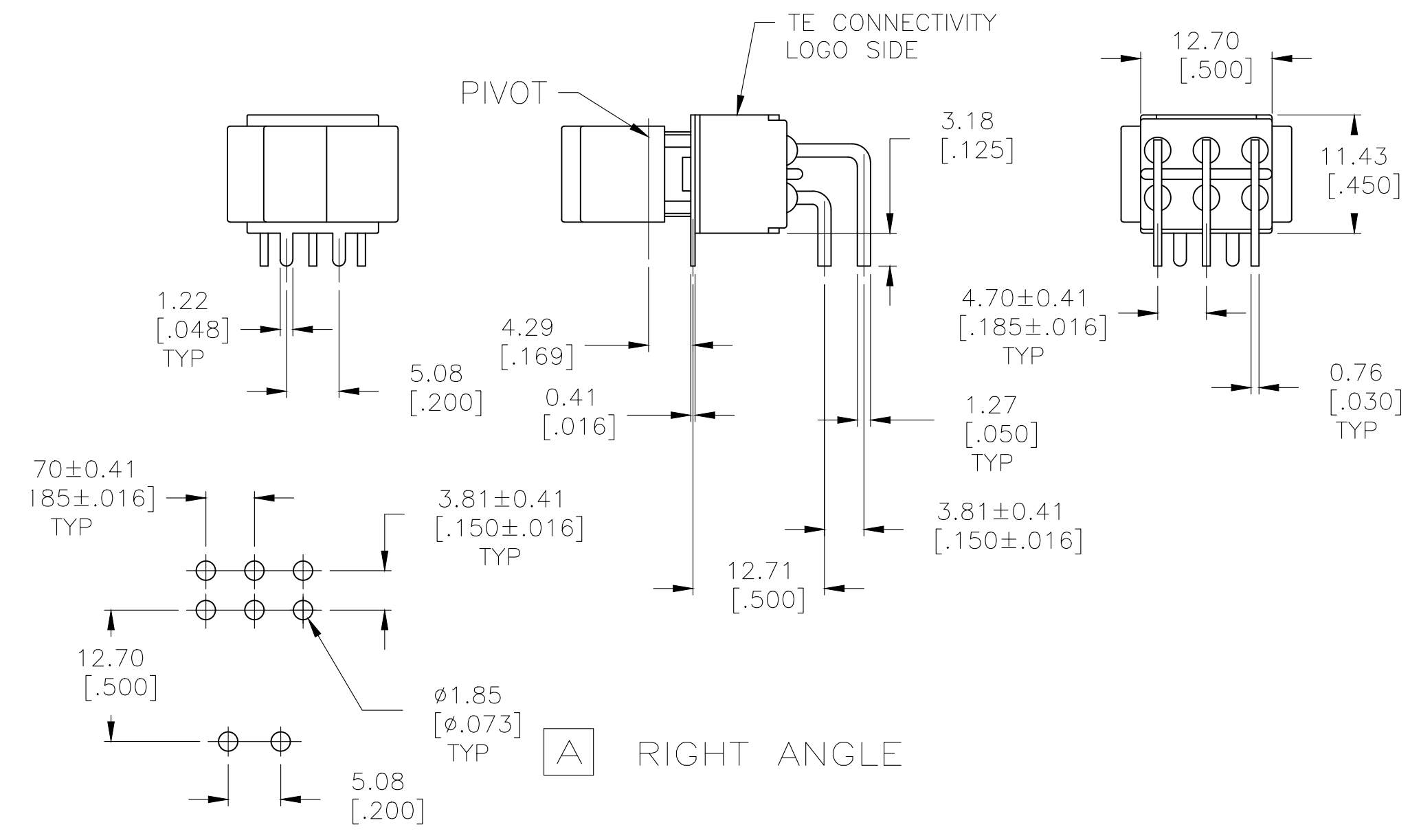
J62 SNAP-IN WITH BEZEL/L.E.D.

1.52-3.17 [0.060-.125]	15.75-15.87 [0.620-.625]
1.19-1.50 [0.047-.059]	15.72 [0.619]
PANEL THICKNESS	
DIM "A"	

THIS DRAWING IS A CONTROLLED DOCUMENT.		DWN M.BINNER 06JAN05	TE Connectivity	
DIMENSIONS: mm [INCHES]		CHK M.ZITTO 06JAN05		
TOLERANCES UNLESS OTHERWISE SPECIFIED:		APVD M.ZITTO 06JAN05	NAME GEMINI A SERIES ROCKER SWITCH DOUBLE POLE	
0 PLC ± -	1 PLC ± -	PRODUCT SPEC	SIZE CAGE CODE DRAWING NO RESTRICTED TO	
2 PLC ± -	3 PLC ± .010	APPLICATION SPEC	A2 00779 C-1571987	
4 PLC ± -	ANGLES ± 4°	WEIGHT -	SCALE 2:1 SHEET 3 OF 5 REV A8	
MATERIAL -	FINISH -	CUSTOMER DRAWING		

THIS DRAWING IS UNPUBLISHED. RELEASED FOR PUBLICATION  
 © COPYRIGHT - By - ALL RIGHTS RESERVED.

REVISIONS					
P	LTR	DESCRIPTION	DATE	DWN	APVD
-	-	SEE SHEET 1	-	-	-



[AV2] VERTICAL RIGHT ANGLE

THIS DRAWING IS A CONTROLLED DOCUMENT.

DWN	M.BINNER	06JAN05
CHK	M.ZITTO	06JAN05
APVD	M.ZITTO	06JAN05
PRODUCT SPEC		
APPLICATION SPEC		
WEIGHT	-	

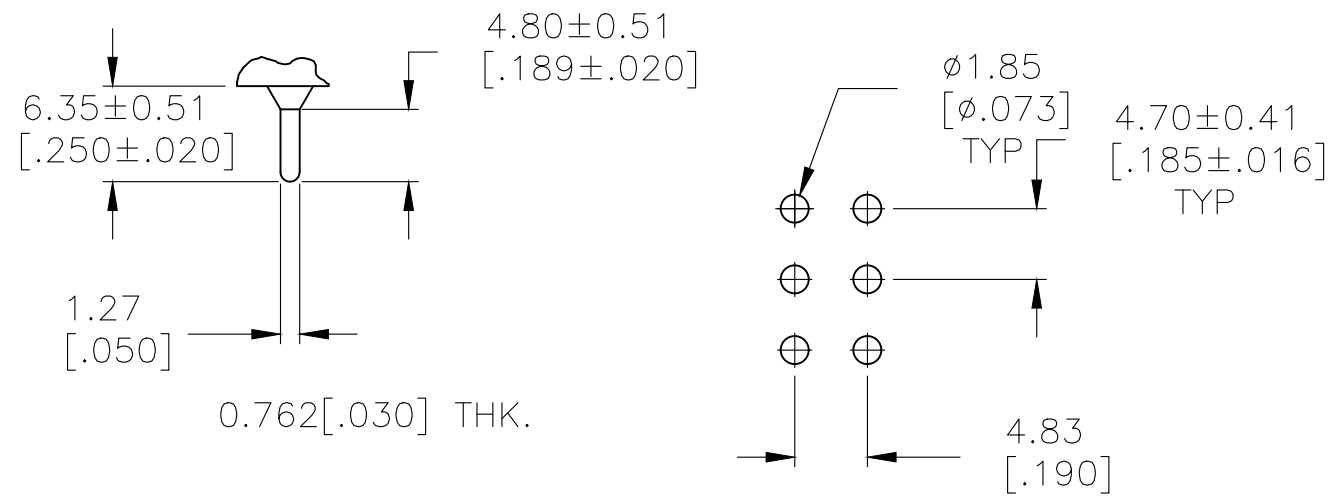
TE Connectivity

GEMINI A SERIES ROCKER SWITCH  
 DOUBLE POLE

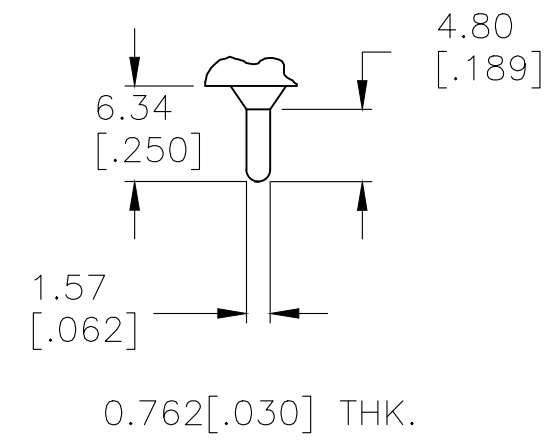
SIZE	A2	CAGE CODE	00779	DRAWING NO	1571987	RESTRICTED TO	-	
CUSTOMER DRAWING				SCALE	2:1	SHEET	4 of 5	
							REV	A8

THIS DRAWING IS UNPUBLISHED. RELEASED FOR PUBLICATION  
 © COPYRIGHT - By - ALL RIGHTS RESERVED.

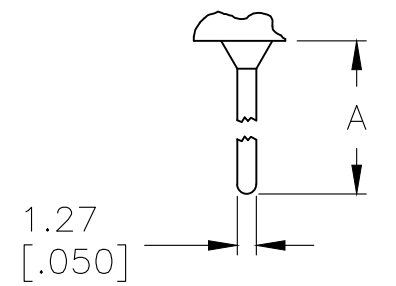
REVISIONS				
P	LTR	DESCRIPTION	DATE	APVD
-	-	SEE SHEET 1	-	-



**C** PRINTED CIRCUIT



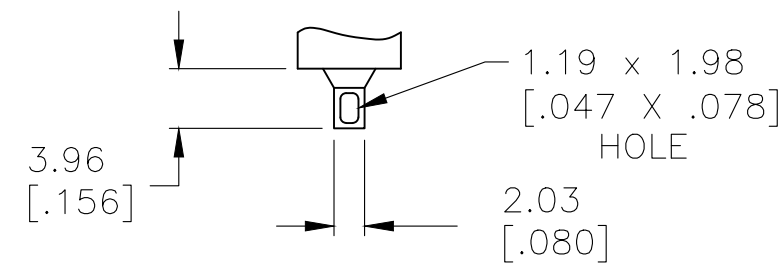
**Z3** QUICK CONNECT



0.762[.030] THK.

**W** **W4** WIRE WRAP

OPTION	DIM A
W	18.69[.736]
W4	26.97[1.062]



0.762[.030] THK.

**Z** WIRE LUG

MATERIALS CHART

COMPONENT NAME	BASE MATERIAL	FINISH
CASE	DAP, RED, UL94 V-0	
FRAME	STAINLESS STEEL	
B TERMINALS & CONTACTS	COPPER	GOLD OVER NICKEL
G TERMINALS & CONTACTS	COPPER	GOLD OVER SILVER
Q TERMINALS & CONTACTS	COPPER	SILVER
ACTUATOR	PHENOLIC, BLACK, UL94 V-1	
ROCKER CAP	NYLON, BLACK, UL94 V-1	
BUSHING & ACTUATOR LEVER	ZINC ALLOY	NICKEL
SPRING	MUSIC WIRE	
SUPPORT BRACKET	BRASS	TIN
PIVOT PIN	STEEL	NICKEL
TERMINAL SEAL	EPOXY, UL94 V-1	

OBSOLETE	A213J61ZQ0004	4-1571987-4
	A211J51ZQ0004	4-1571987-3
	A208J61ZQ0004	4-1571987-2
OBSOLETE	A208J51ZQ0004	4-1571987-1
OBSOLETE	A208J1V3Q0004	4-1571987-0
OBSOLETE	NOT ASSIGNED	3-1571987-9
	A207J61ZQ0004	3-1571987-8
	A207J51ZQ0004	3-1571987-7
OBSOLETE	A207J3ZQ0004	3-1571987-6
OBSOLETE	A207J1ZQ0004	3-1571987-5
	A205J61ZQ0004	3-1571987-4
	A205J51ZQ0004	3-1571987-3
OBSOLETE	A205J2ZQ0004	3-1571987-2
	A205J2CQ0004	3-1571987-1
	A205J1ZQ0004	3-1571987-0
	A205J1AV2Q0004	2-1571987-9
OBSOLETE	NOT ASSIGNED	2-1571987-8
	A203J61ZQ0004	2-1571987-7
	A203J51ZQ0004	2-1571987-6
OBSOLETE	NOT ASSIGNED	2-1571987-5
OBSOLETE	A203J1ZQ0004	2-1571987-4
OBSOLETE	NOT ASSIGNED	2-1571987-3
	A203J1CQ204	2-1571987-2
OBSOLETE	A203J1AV2Q0004	2-1571987-1
	A203J1AQ0004	2-1571987-0
	A201J61ZQ0004	1-1571987-9
OBSOLETE	A201J61Z3Q0004	1-1571987-8
OBSOLETE	A201J51ZQ9904	1-1571987-7
OBSOLETE	NOT ASSIGNED	1-1571987-6
	A201J51ZQ0004	1-1571987-5
OBSOLETE	A201J50ZQ0004	1-1571987-4
OBSOLETE	A201J50AV2Q804	1-1571987-3
OBSOLETE	A201J50AV2Q0004	1-1571987-2
	A201J3ZQ0004	1-1571987-1
	A201J3ZB0004	1-1571987-0
OBSOLETE	A201J2ZQ0004	1571987-9
	A201J2CQ0004	1571987-8
	A201J1ZQ0004	1571987-7
OBSOLETE	A201J1V3Q0004	1571987-6
	A201J1CQ0004	1571987-5
	A201J1AV2Q0004	1571987-4
	A201J1AQ204	1571987-3
	A201J1AQ0004	1571987-2
OBSOLETE	A211J61Z3Q0004	1571987-1

THIS DRAWING IS A CONTROLLED DOCUMENT.

DWN	M.BINNER	06JAN05
CHK	M.ZITTO	06JAN05
APVD	M.ZITTO	06JAN05

TE Connectivity

GEMINI A SERIES ROCKER SWITCH  
DOUBLE POLE

SIZE	CAGE CODE	DRAWING NO	RESTRICTED TO
A2	00779	C-1571987	-

CUSTOMER DRAWING SCALE 2:1 SHEET 5 OF 5 REV A8