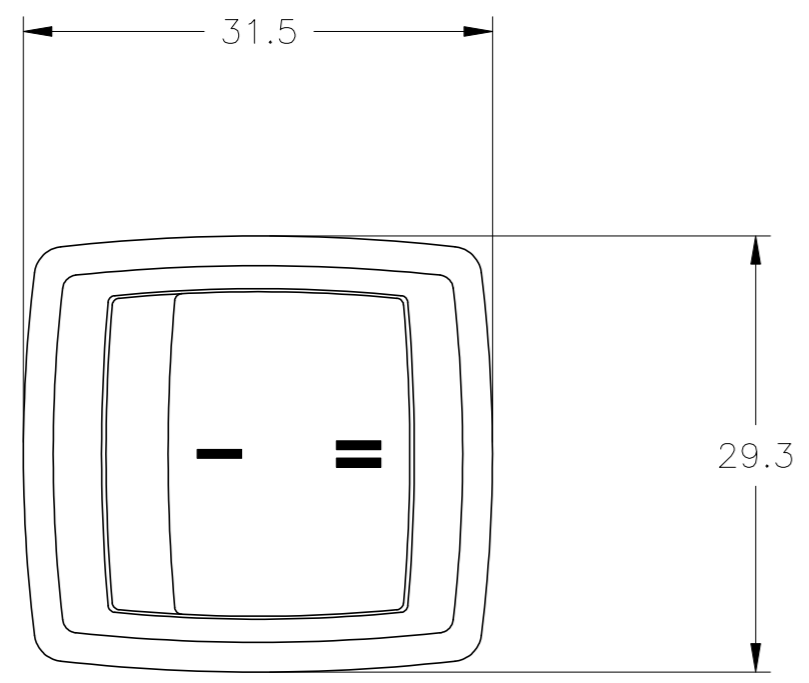
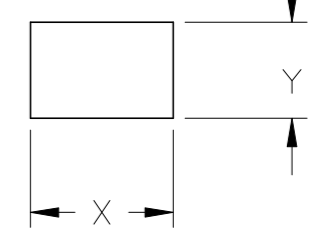


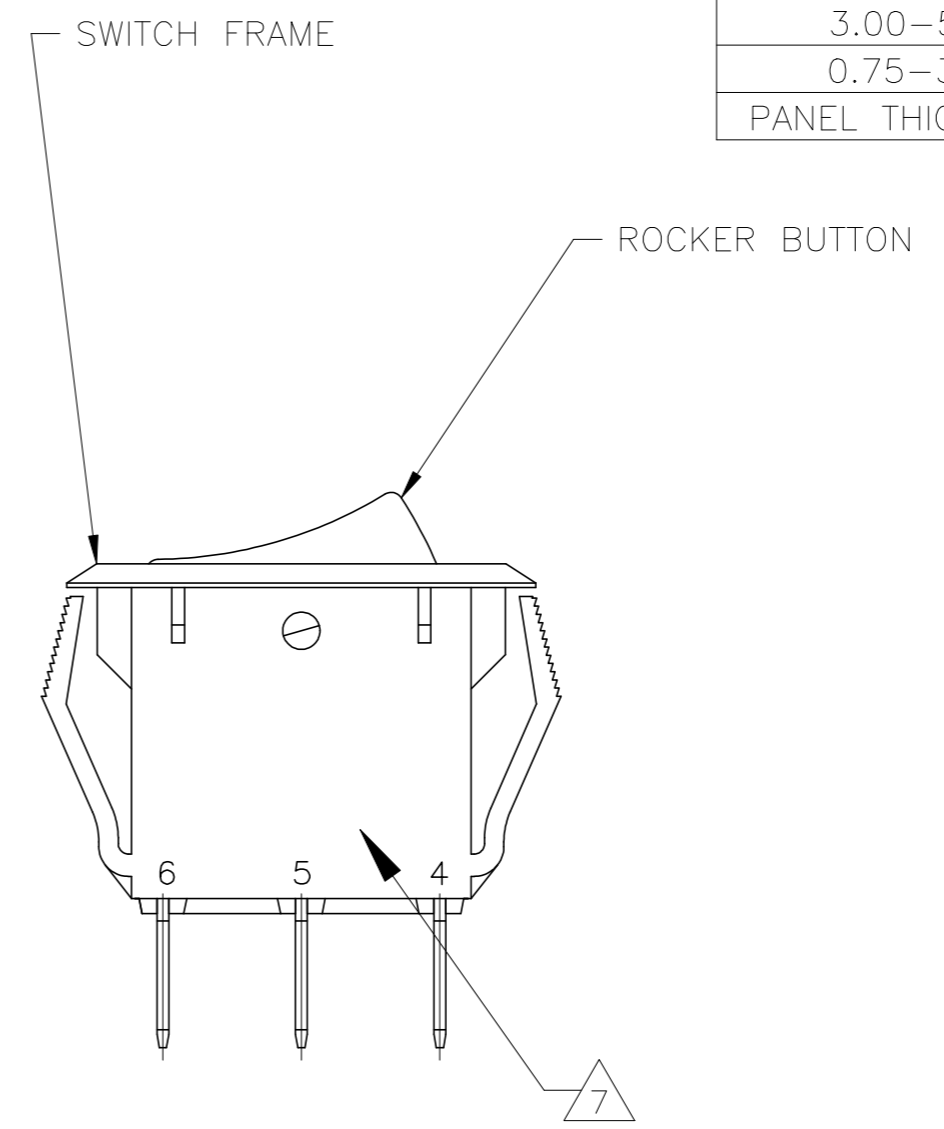
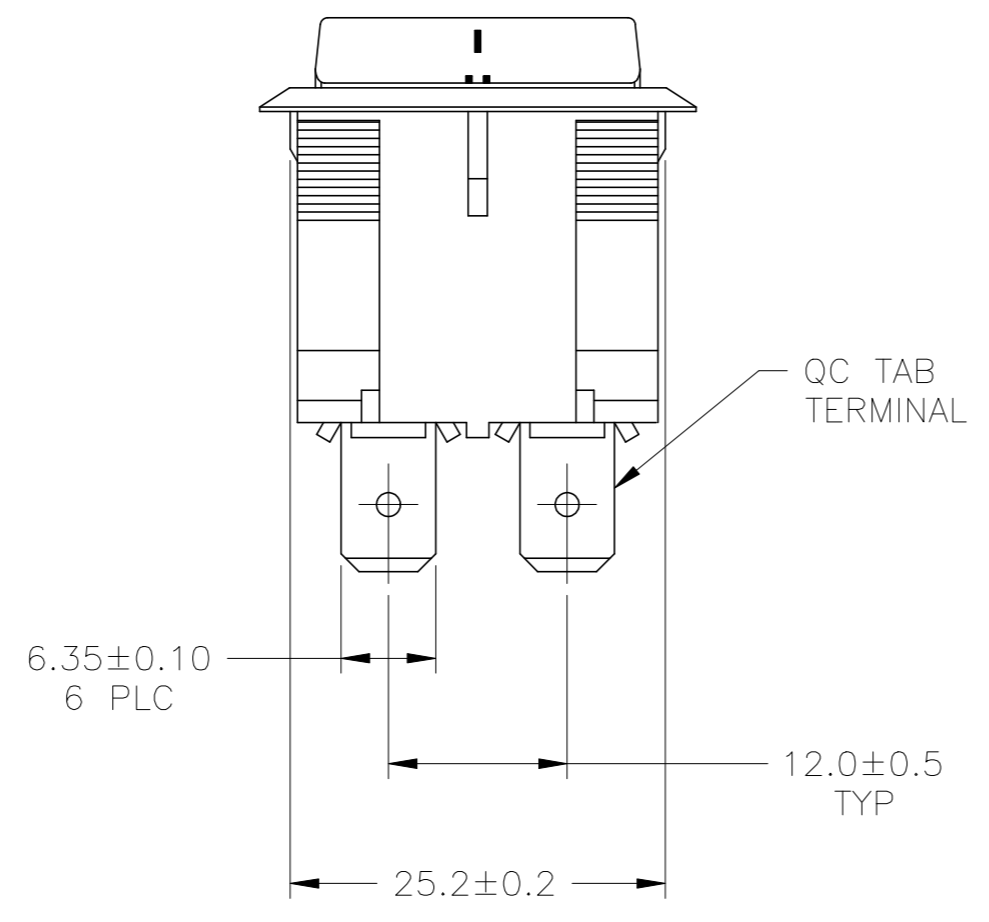
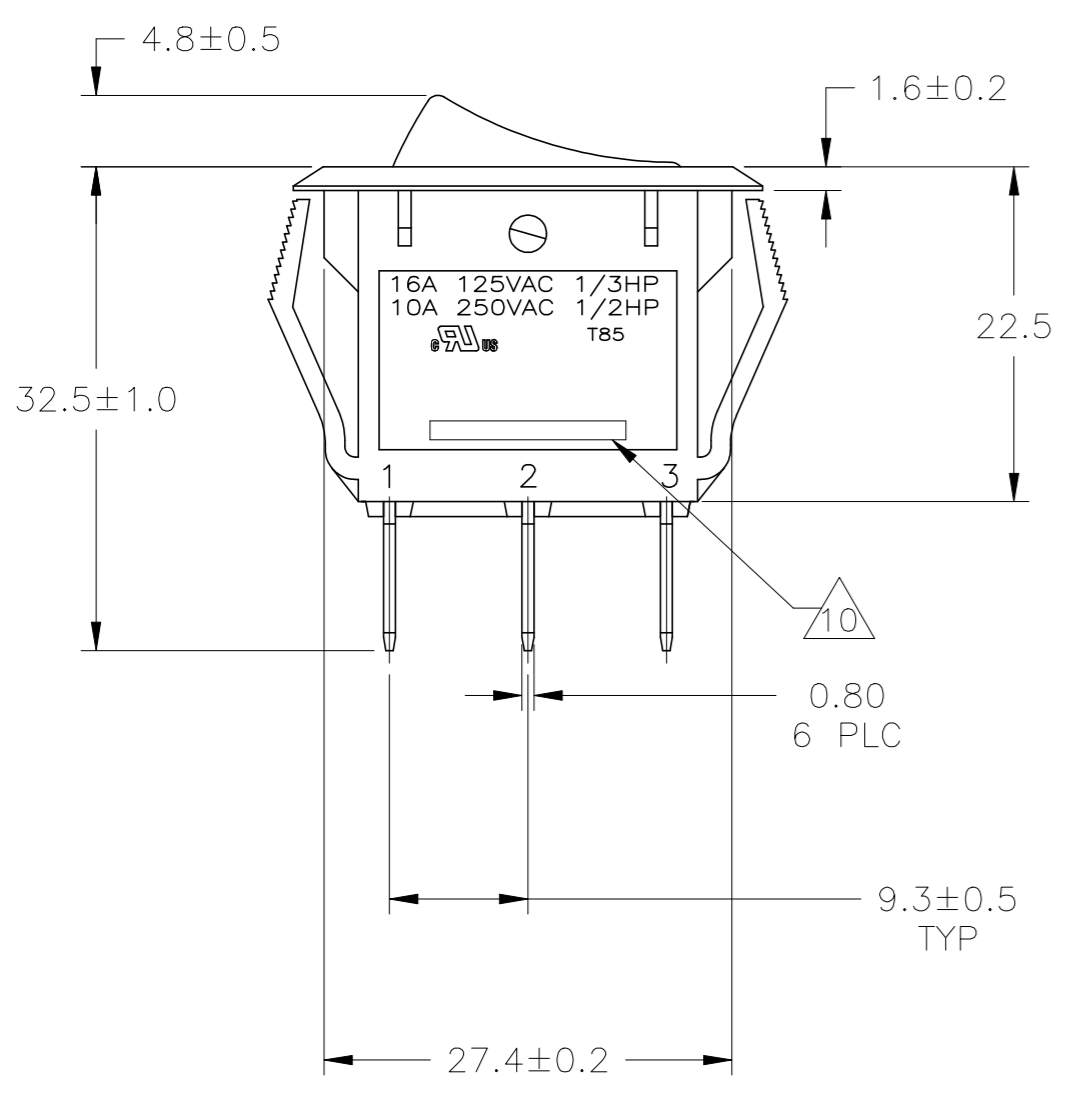
REVISIONS					
P	LTR	DESCRIPTION	DATE	DWN	APVD
F		REVISED PER ECN-23-223766	27JUL2023	SA	DM



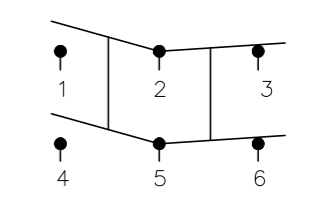
PANEL CUT OUT



5.00-6.30	28.6-0.1	25.4+0.1
3.00-5.00	28.0-0.1	25.4+0.1
0.75-3.00	27.6-0.1	25.4+0.1
PANEL THICKNESS	X	Y



SWITCH FUNCTION D1
CIRCUIT DIAGRAM



1571113-2 SHOWN

THIS DRAWING IS A CONTROLLED DOCUMENT.		DWN M BINNER 25FEB2002		
DIMENSIONS: mm		CHK J. MOSIER		
TOLERANCES UNLESS OTHERWISE SPECIFIED:		APVD JP	NAME POWER ROCKER SWITCH, 25.4mmX27.6mm PANEL SIZE, DP, 6 TERMINALS, NON-ILLUMINATED	
0 PLC ± -		PRODUCT SPEC	NOT APPLICABLE	
1 PLC ± 0.30		APPLICATION SPEC	NOT APPLICABLE	
2 PLC ± 0.05		WEIGHT	A2 00779 C=1571113	
3 PLC ± -		CUSTOMER DRAWING	SCALE 2:1	SHEET 1 of 3
4 PLC ± -		FINISH	REV F	
ANGLES ± -				

4

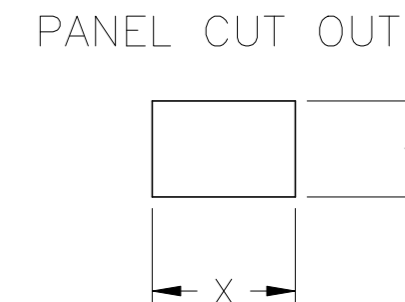
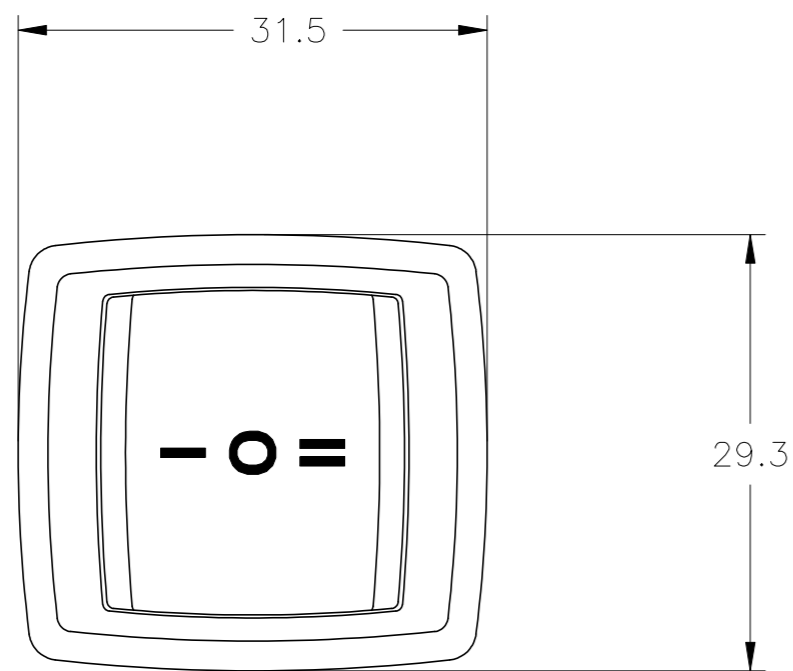
3

2

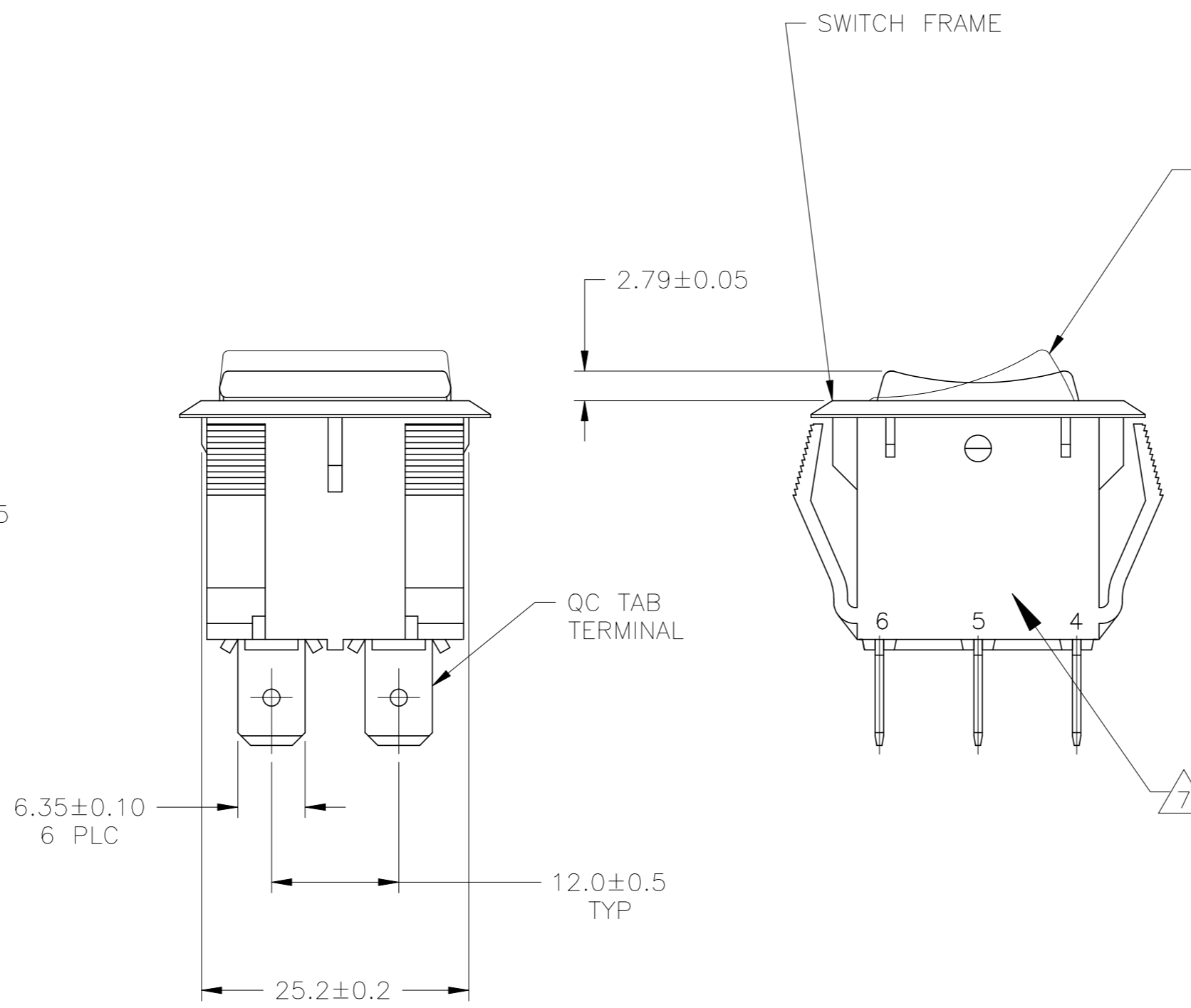
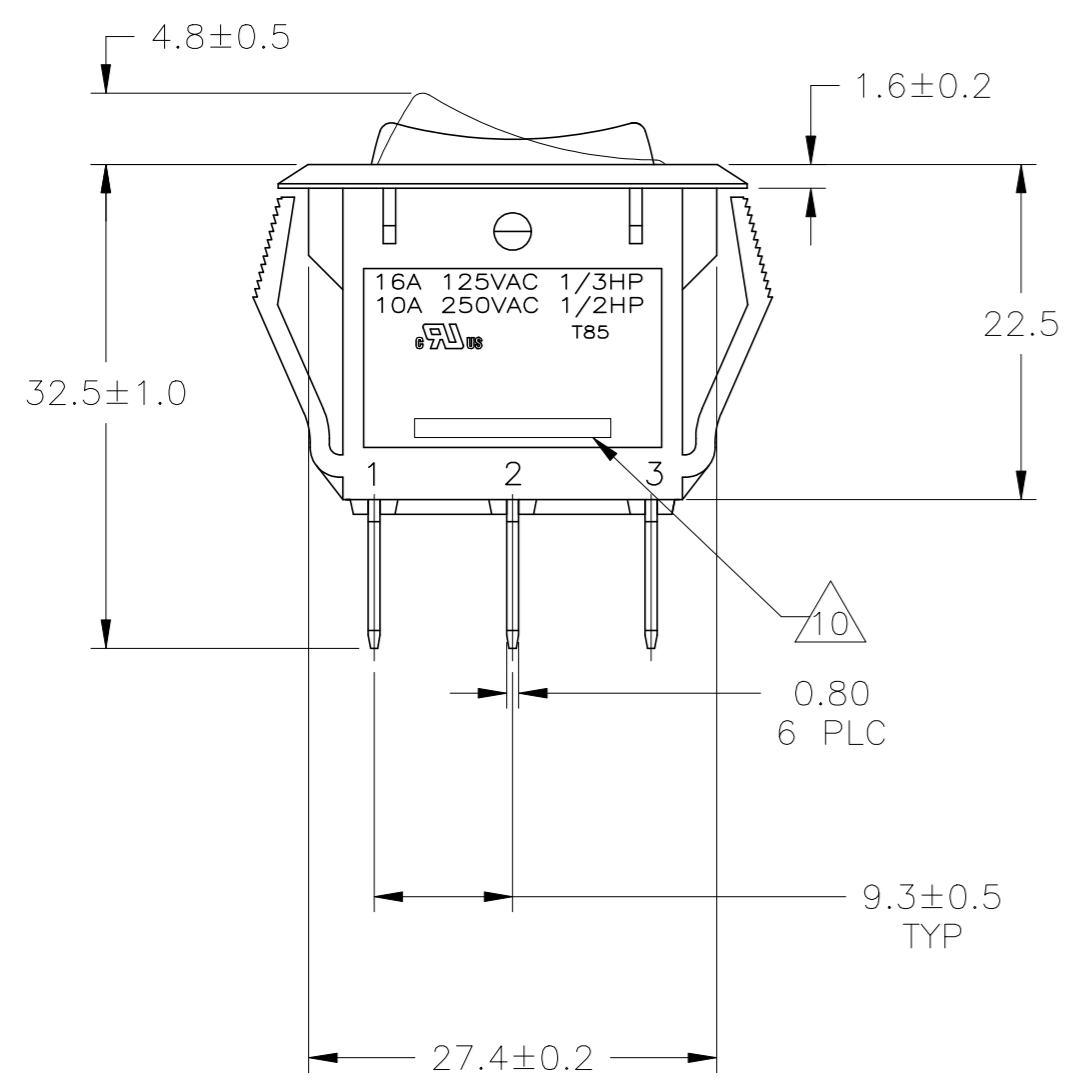
1

© - TE Connectivity. All Rights Reserved.

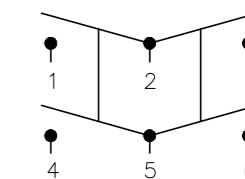
REVISIONS					
P	LTR	DESCRIPTION	DATE	DWN	APVD
-	-	SEE SHEET 1	-	-	-



5.00-6.30	28.6-0.1	25.4+0.1
3.00-5.00	28.0-0.1	25.4+0.1
0.75-3.00	27.6-0.1	25.4+0.1
PANEL THICKNESS	X	Y



SWITCH FUNCTION D3
CIRCUIT DIAGRAM

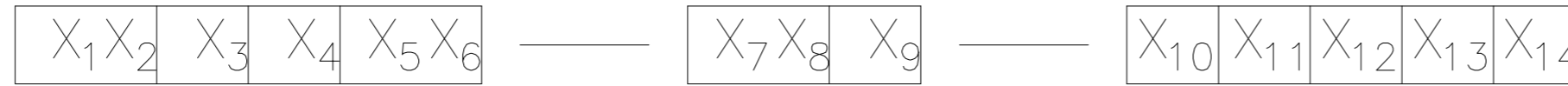


OBSOLETE 1571113=5 SHOWN

THIS DRAWING IS A CONTROLLED DOCUMENT.		DWN M BINNER	25FEB2002		
DIMENSIONS: mm		CHK J. MOSIER	-		
TOLERANCES UNLESS OTHERWISE SPECIFIED:		APVD JP	-	NAME POWER ROCKER SWITCH, 25.4mmX27.6mm PANEL SIZE, DP, 6 TERMINALS, NON-ILLUMINATED	
0 PLC ± -		PRODUCT SPEC	NOT APPLICABLE	SIZE A2	
1 PLC ± 0.30		APPLICATION SPEC	NOT APPLICABLE	CAGE CODE	00779
2 PLC ± 0.05		WEIGHT	-	DRAWING NO	C=1571113
3 PLC ± -		FINISH	1	RESTRICTED TO	-
4 PLC ± -		CUSTOMER DRAWING		SCALE	2:1
ANGLES ± -		SHEET		2 of 3	REV
MATERIAL		SCALE		F	

REVISIONS				
P	LTR	DESCRIPTION	DATE	APVD
-	-	SEE SHEET 1	-	-

LEGACY PART NUMBER



SWITCH TYPE: X1X2 = PR - POWER ROCKER

NOMINAL PANEL CUT OUT SIZE: X3 = D - 25.4x27.6

NUMBER OF POLES: X4 = D - DOUBLE

SWITCH FUNCTION: X5X6 = D1 - ON-ON, WITH OPAQUE, SINGLE-COLOR ROCKER BUTTON.

D3 - ON-OFF-ON, WITH OPAQUE, SINGLE-COLOR ROCKER BUTTON.

CURRENT RATING: X7X8 = 16 - △6

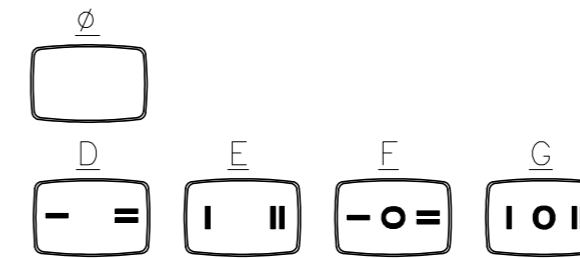
TERMINAL TYPE: X9 = E - QC TAB

FRAME COLOR: X10 = B - BLACK
W - WHITE

ROCKER COLOR: X11 = B - BLACK
G - GREEN
R - RED
W - WHITE

SECONDARY ROCKER COLOR: X12 = ∅ - NOT APPLICABLE

LEGEND TEXT PATTERN: X13 =



LEGEND TEXT COLOR: X14 = ∅ - NOT APPLICABLE

G - GREEN
R - RED
B - BLACK
W - WHITE

△1 **MATERIALS:**
 ROCKER BUTTON & HOUSING: NYLON 66, UL 94 V-2.
 TERMINAL, ACTIVE CONTACTOR: COPPER ALLOY PER ASTM B152/B152M
 PLUNGER: COPPER ALLOY PER ASTM B036
 SPRING: STEEL WIRE PER ASTM A228/A228M
 CONTACT: SILVER-TIN OXIDE

△2 **FINISH:**
 TERMINAL, ACTIVE CONTACTOR: 1.0µm MIN SILVER
 PLUNGER: 3.0µm MIN NICKEL

3. **ELECTRICAL SPECIFICATIONS:**
 CURRENT & VOLTAGE △6
 CONTACT RESISTANCE (INITIAL): <50mΩ
 DIELECTRIC STRENGTH (INITIAL): >1000 VAC, 1 MINUTE
 INSULATION RESISTANCE (INITIAL): >100MΩ MIN (500VDC BETWEEN OPEN CONTACTS)
 INRUSH CURRENT: 50A / 3msec (CAPACITIVE LOAD)
 ELECTRICAL LIFE ENDURANCE: >6000 OPERATIONS,
 TEMPERATURE RISE AT TERMINALS: <30°C, 6000 OPERATIONS
 (AMBIENT CONDITIONS: 25±2°C AND 65±5%R.H)

4. **MECHANICAL SPECIFICATIONS:**
 ACTUATING FORCE: 850g MIN, 1250g MAX
 OPERATING LIFE ENDURANCE: >100,000 OPERATIONS
 TERMINAL STRENGTH : >10.0kg- QC TAB

5. **ENVIRONMENTAL SPECIFICATIONS:**
 AMBIENT TEMPERATURE: -20°C TO +85°C
 HUMIDITY: MAX 85%
 SALT SPRAY: NO REMARKABLE RUST IN METAL PARTS (5% SALT / 35°C 24HRS)
 SHOCK: NO MECHANICAL DEFECT OR DAMAGE (100g / 10MSEC/ X,Y,Z 3 TIMES)
 VIBRATION: NO MECHANICAL DEFECT OR DAMAGE (10-55Hz / 1.5mm/ X,Y,Z 2HRS)

△6 UL: 16A@125VAC 1/3HP / 10A@250VAC 1/2HP

△7 ELECTRICAL RATINGS, APPROVED AGENCY LOGOS, TERMINAL IDENTIFICATION NUMBERS, MOLDED APPROXIMATELY AS SHOWN ON THE SIDES OF THE SWITCH HOUSING.

8. COMPONENT-RECOGNIZED TO US & CANADIAN STANDARDS
UL FILE NO. E46765

9. ROHS 2002/95/EC COMPLIANT

△10 TYCO ELECTRONICS LOGO LOCATED APPROXIMATELY AS SHOWN

OBSOLETE	2	PRDDD3-16F-BR000	5-1571113-7
	2	PRDDD3-16F-BB0GW	1571113-6
OBSOLETE	2	PRDDD3-16F-BB0FW	1571113-5
	2	PRDDD3-16F-BB000	1571113-4
OBSOLETE	1	PRDDD1-16F-BB0EW	1571113-3
	1	PRDDD1-16F-BB0DW	1571113-2
	1	PRDDD1-16F-BB000	1571113-1
SHEET REF.		LEGACY PART NUMBER	PART NUMBER

THIS DRAWING IS A CONTROLLED DOCUMENT.		DWN M BINNER	25FEB2002	TE TE Connectivity	
DIMENSIONS: mm		CHK J.MOSIER	APVD JP		
TOLERANCES UNLESS OTHERWISE SPECIFIED: 0 PLC ± - 1 PLC ± 0.30 2 PLC ± 0.05 3 PLC ± - 4 PLC ± - ANGLES ± -		PRODUCT SPEC NOT APPLICABLE		NAME POWER ROCKER SWITCH, 25.4mmX27.6mm PANEL SIZE, DP, 6 TERMINALS, NON-ILLUMINATED	
MATERIAL		APPLICATION SPEC NOT APPLICABLE		SIZE A2	RESTRICTED TO -
FINISH -		WEIGHT		CAGE CODE 00779	DRAWING NO C=1571113
CUSTOMER DRAWING				SCALE 2:1	SHEET 3 of 3
				REV F	