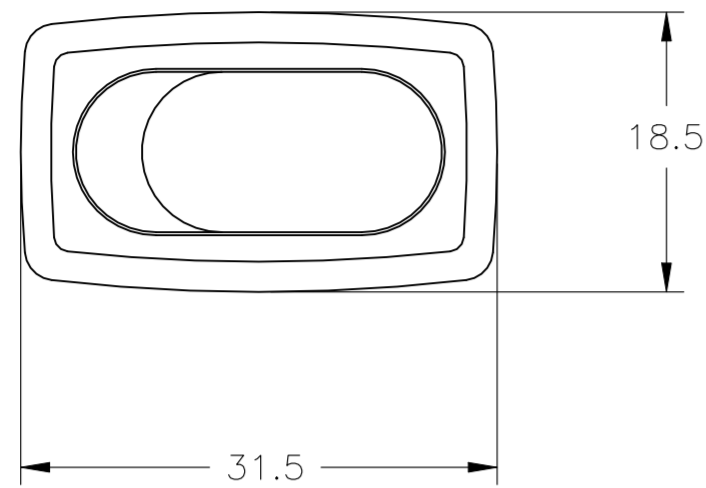
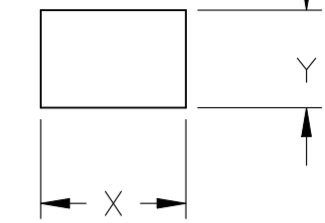


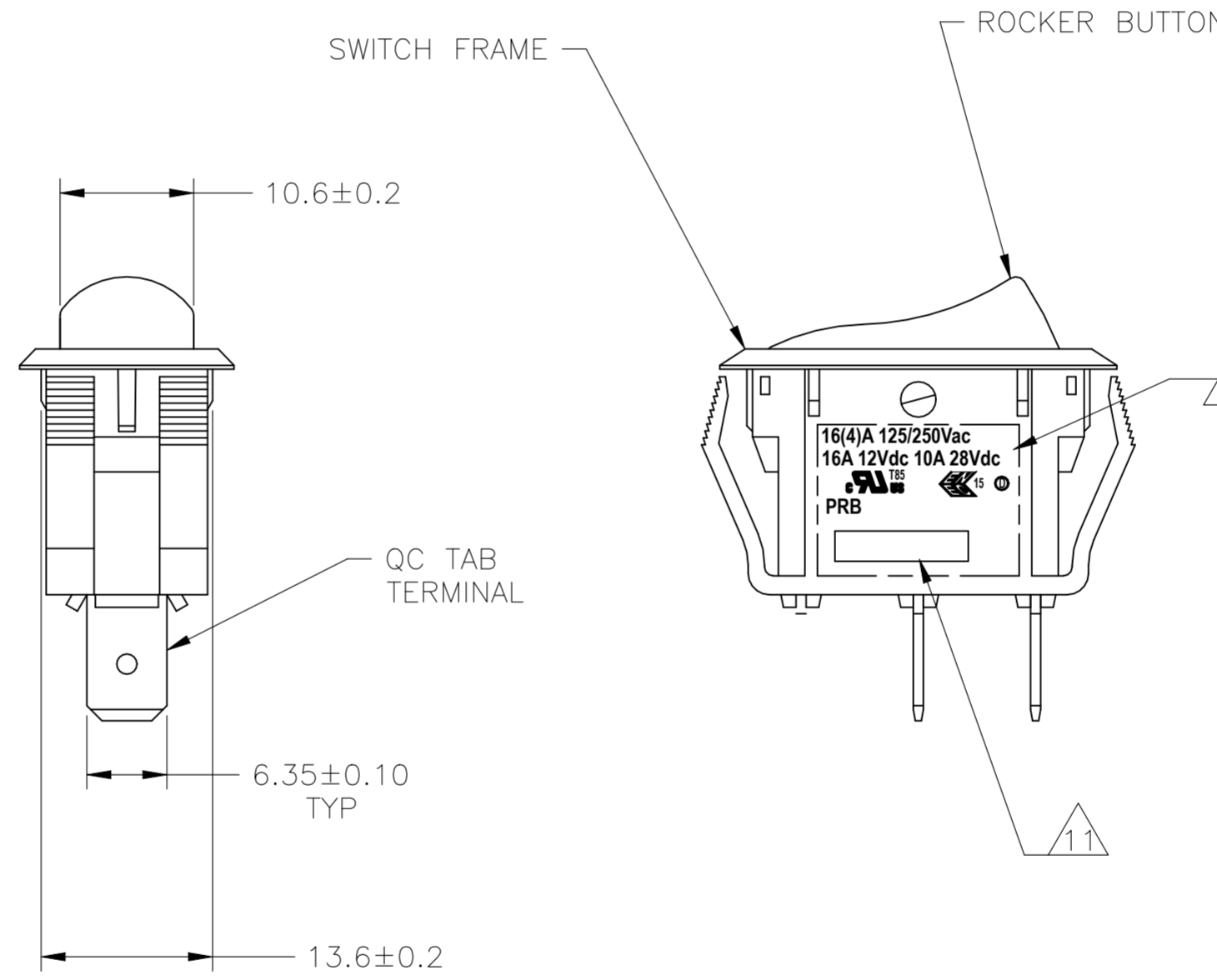
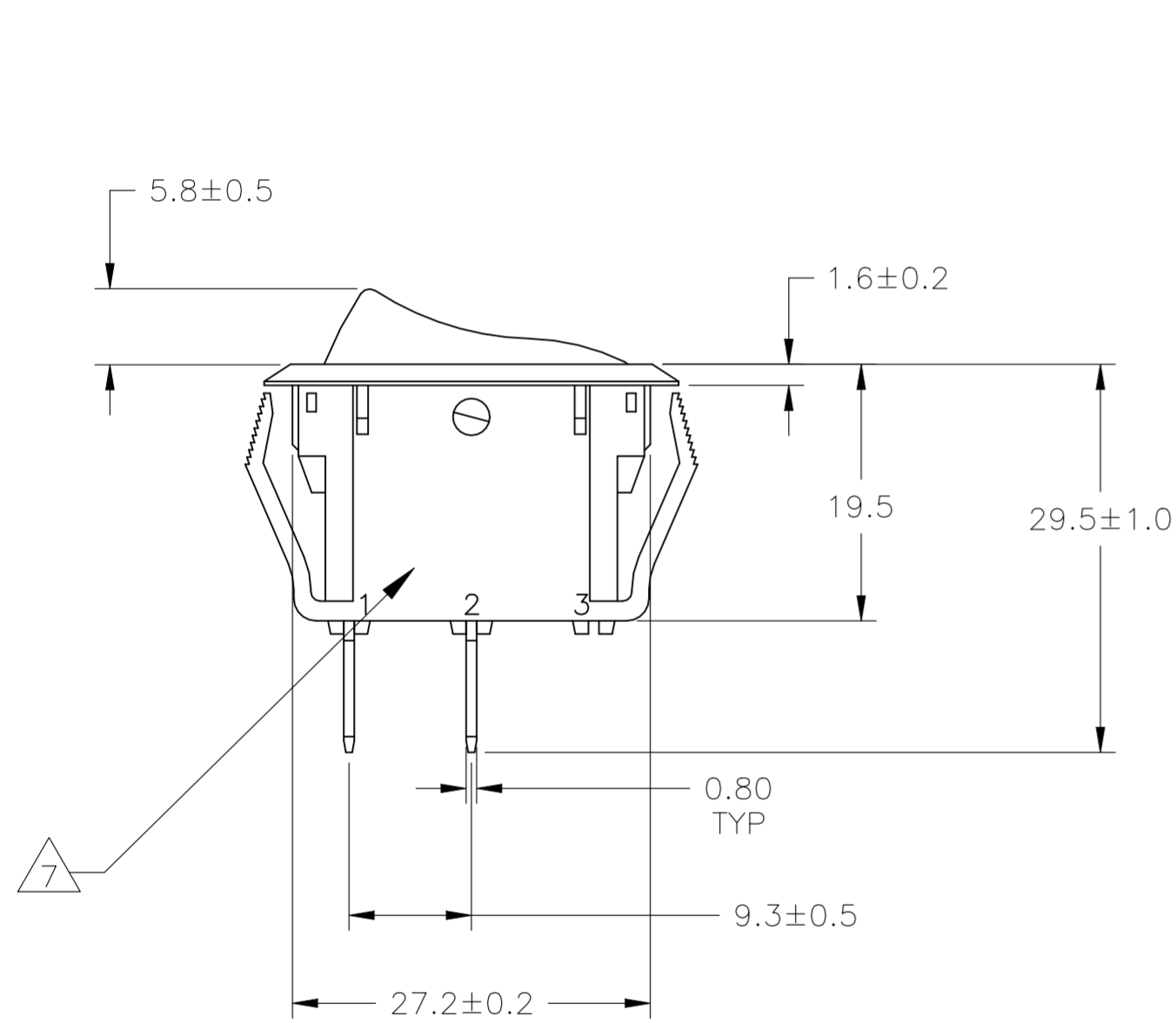
REVISIONS					
P	LTR	DESCRIPTION	DATE	DWN	APVD
H		REVISED PER ECN-23-227856	12SEP23	GSK	MD



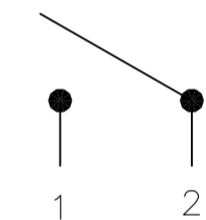
PANEL CUT OUT



4.00-5.00	28.0-0.1	13.8+0.1
3.00-4.00	27.8-0.1	13.8+0.1
0.75-3.00	27.6-0.1	13.8+0.1
PANEL THICKNESS	X	Y



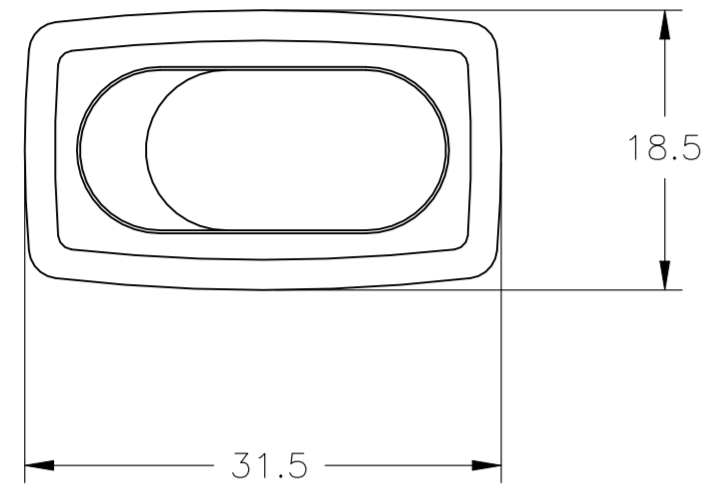
SWITCH FUNCTION A1
CIRCUIT DIAGRAM



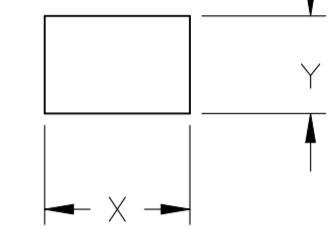
1571091-1 SHOWN

THIS DRAWING IS A CONTROLLED DOCUMENT.		DWN BSV	01APR04	TE Connectivity Ltd.	
DIMENSIONS: mm		CHK J.MOSIER	APVD JP		
TOLERANCES UNLESS OTHERWISE SPECIFIED:		PRODUCT SPEC		POWER ROCKER SWITCH 13.8mmX27.6mm	
0 PLC ± -		APPLICATION SPEC		PANEL SIZE SPST, 2 TERMINALS, NON-ILLUMINATED	
1 PLC ± 0.30		WEIGHT		SIZE A2	CAGE CODE 00779
2 PLC ± 0.05		CUSTOMER DRAWING		DRAWING NO C=1571091	RESTRICTED TO
3 PLC ± -		SCALE 1:1		SHEET 1 of 3	REV H
4 PLC ± -					
ANGLES ± -					
FINISH					

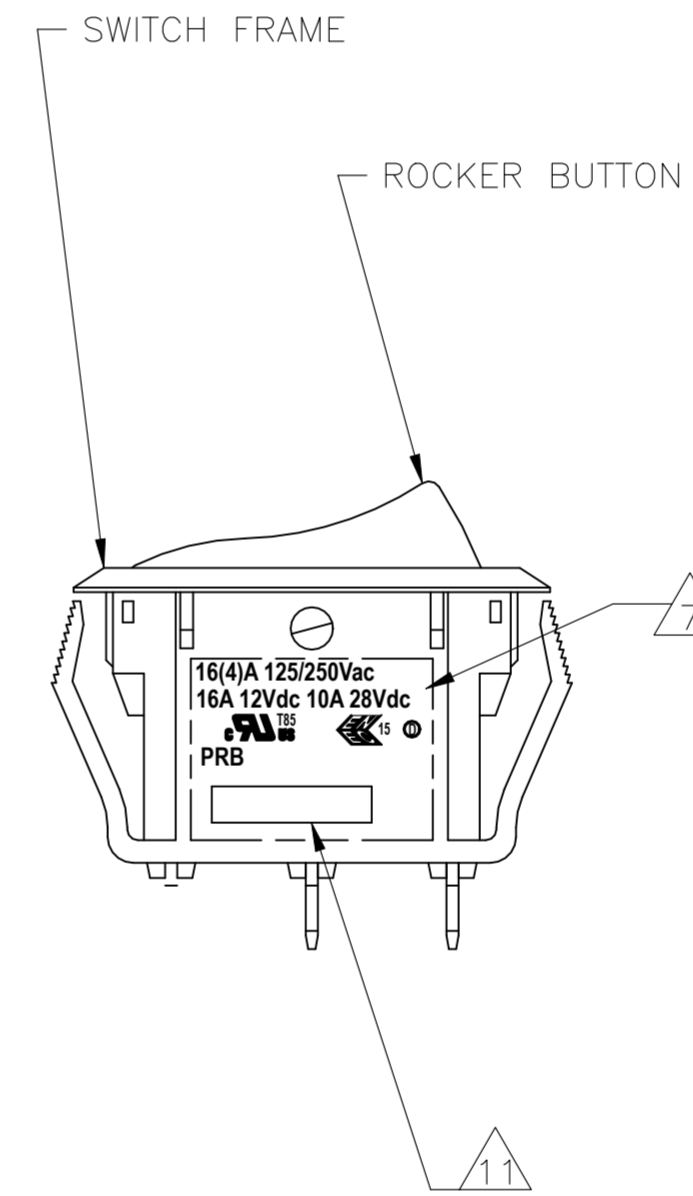
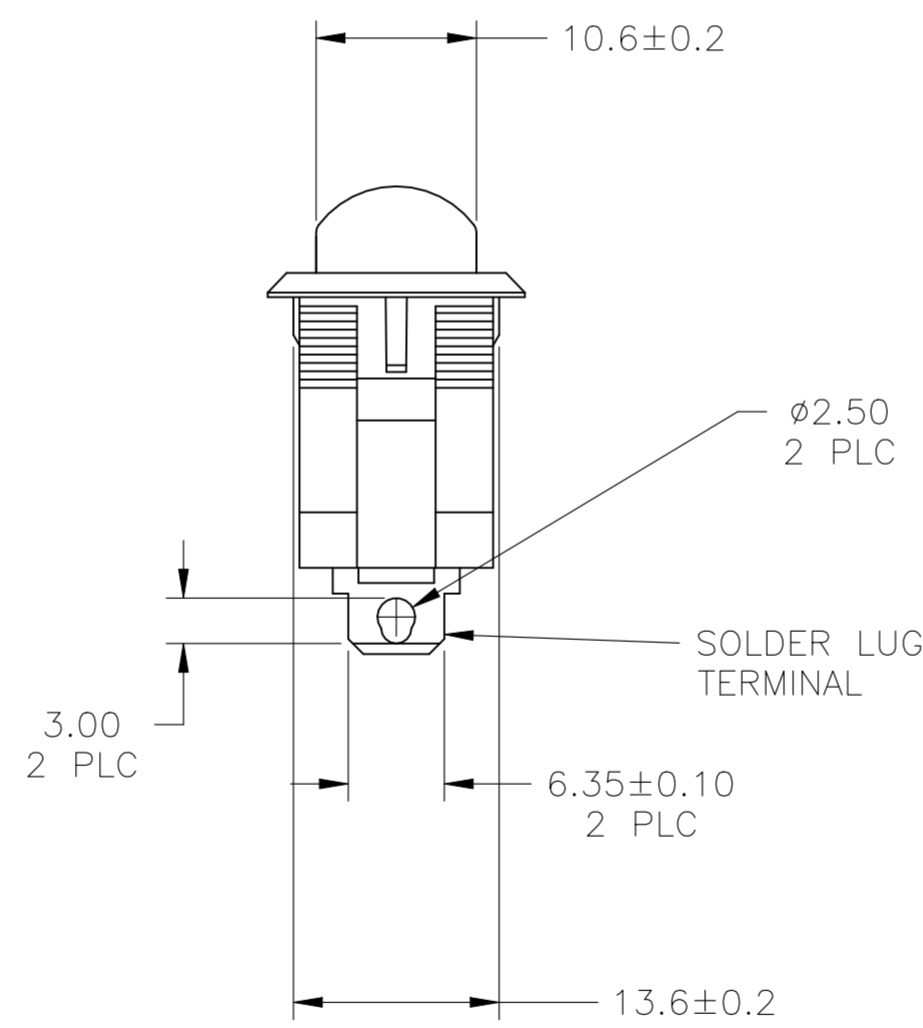
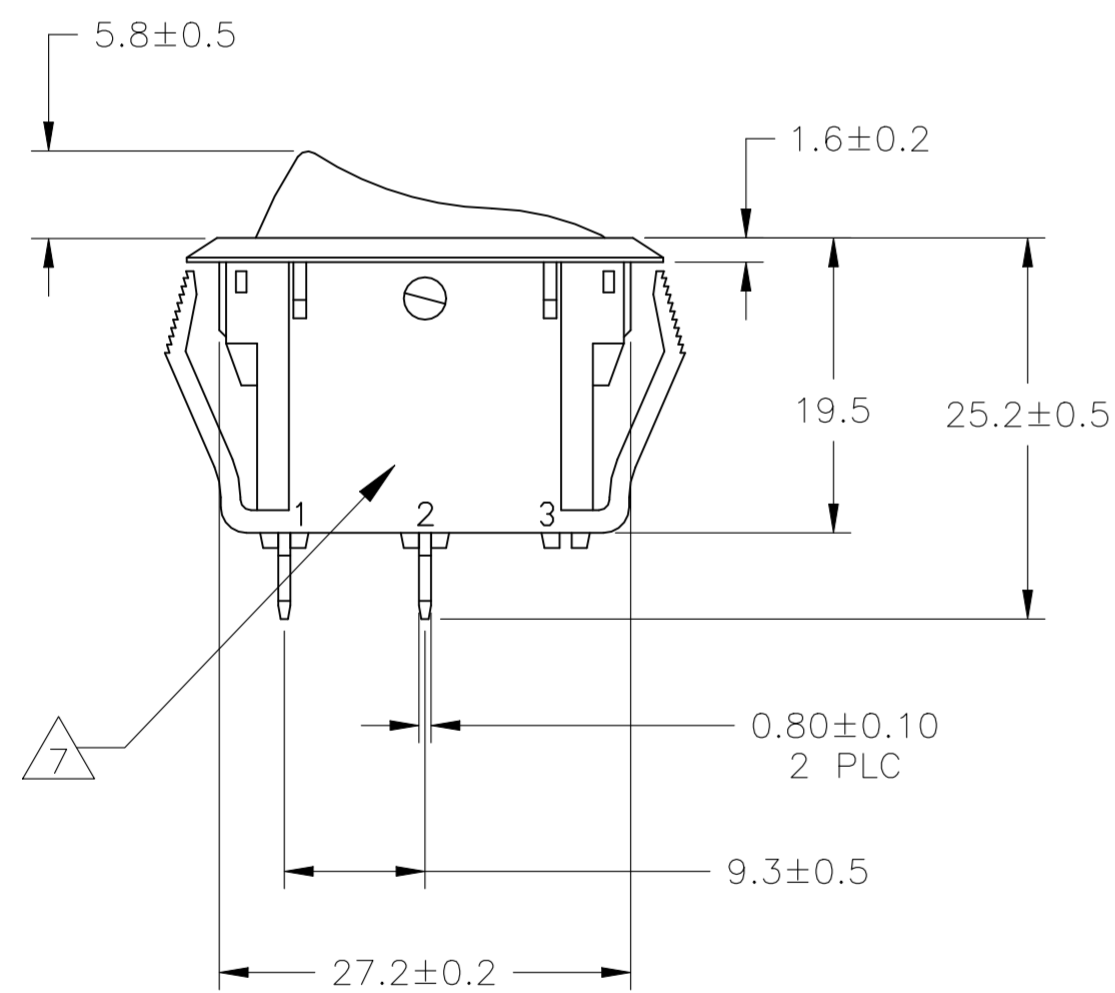
REVISIONS					
P	LTR	DESCRIPTION	DATE	DWN	APVD
-	-	SEE SHEET 1	-	-	-



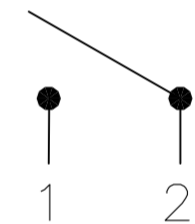
PANEL CUT OUT



4.00-5.00	28.0-0.1	13.8+0.1
3.00-4.00	27.8-0.1	13.8+0.1
0.75-3.00	27.6-0.1	13.8+0.1
PANEL THICKNESS	X	Y



SWITCH FUNCTION A1
CIRCUIT DIAGRAM

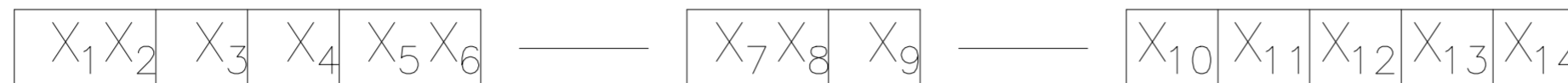


1571091-4 SHOWN

THIS DRAWING IS A CONTROLLED DOCUMENT.		DWN BSV	01APR04	TE Connectivity Ltd.	
DIMENSIONS: mm		CHK J.MOSIER	APVD JP		
TOLERANCES UNLESS OTHERWISE SPECIFIED: 0 PLC ± - 1 PLC ± 0.30 2 PLC ± 0.05 3 PLC ± - 4 PLC ± - ANGLES ± -		PRODUCT SPEC	APPLICATION SPEC	POWER ROCKER SWITCH 13.8mmX27.6mm PANEL SIZE SPST, 2 TERMINALS, NON-ILLUMINATED	
MATERIAL	FINISH	WEIGHT	SCALE	SHEET	REV
1	2	A2	1:1	2 of 3	H
CUSTOMER DRAWING			SIZE	CAGE CODE	DRAWING NO
			A2	00779	C=1571091

REVISIONS				
P	LTR	DESCRIPTION	DATE	APVD
-	-	SEE SHEET 1	-	-

LEGACY PART NUMBER



SWITCH TYPE: X₁X₂ = PR - POWER ROCKER

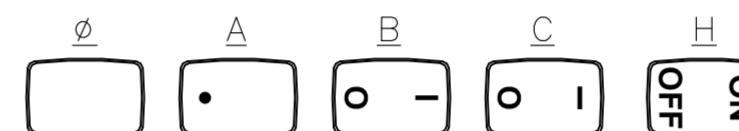
SECONDARY ROCKER COLOR: X₁₂ = ∅ - NOT APPLICABLE

NOMINAL PANEL CUT OUT SIZE: X₃ = B - 13.8x27.6

NUMBER OF POLES: X₄ = S - SINGLE

SWITCH FUNCTION: X₅X₆ = A1 - ON-OFF, WITH OPAQUE SINGLE-COLOR ROCKER BUTTON.

LEGEND TEXT PATTERN: X₁₃ =



CURRENT RATING: X₇X₈ = 16 -

LEGEND TEXT COLOR: X₁₄ = ∅ - NOT APPLICABLE

TERMINAL TYPE: X₉ = F - QC TAB
L - SOLDER LUG

- G - GREEN
- R - RED
- B - BLACK
- W - WHITE

FRAME COLOR: X₁₀ = B - BLACK
W - WHITE

ROCKER COLOR: X₁₁ = B - BLACK
G - GREEN
R - RED
W - WHITE

MATERIALS:
 ROCKER BUTTON & HOUSING: NYLON 66, UL 94 V-2.
 TERMINAL, ACTIVE CONTACTOR: COPPER ALLOY PER ASTM B152/B152M
 PLUNGER: COPPER ALLOY PER ASTM B036
 SPRING: STEEL WIRE PER ASTM A228/A228M
 CONTACT: SILVER-TIN OXIDE

5. **ENVIRONMENTAL SPECIFICATIONS:**
 AMBIENT TEMPERATURE: -20°C TO +85°C
 HUMIDITY: MAX 85%
 SALT SPRAY: NO REMARKABLE RUST IN METAL PARTS. (5% SALT / 35°C 24HRS)
 SHOCK: NO MECHANICAL DEFECT OR DAMAGE. (100g / 10MSEC/ X,Y,Z 3 TIMES)
 VIBRATION: NO MECHANICAL DEFECT OR DAMAGE. (10-55Hz / 1.5mm/ X,Y,Z 2HRS)

RATINGS: 16(4) A, 125/250 V ac,
16 A, 12 V dc, 10 A, 28 V dc

FINISH:
 ACTIVE CONTACTOR & TERMINALS: 1.0µm MIN SILVER
 PLUNGER: 3.0µm MIN NICKEL

ELECTRICAL RATINGS, APPROVED AGENCY LOGOS, TERMINAL IDENTIFICATION NUMBERS, MOLDED APPROXIMATELY AS SHOWN ON THE SIDES OF THE SWITCH HOUSING.

3. **ELECTRICAL SPECIFICATIONS:**
 CURRENT & VOLTAGE
 CONTACT RESISTANCE (INITIAL): <50mΩ
 DIELECTRIC STRENGTH (INITIAL): >1000 VAC, 1 MINUTE
 INSULATION RESISTANCE (INITIAL): >100MΩ MIN (500VDC BETWEEN OPEN CONTACTS)
 INRUSH CURRENT: 50A / 3msec (CAPACITIVE LOAD)
 ELECTRICAL LIFE ENDURANCE: >6000 OPERATIONS,
 TEMPERATURE RISE AT TERMINALS: <30°C, 6000 OPERATIONS
 (AMBIENT CONDITIONS: 25±2°C AND 65±5%RH)

8. COMPONENT-RECOGNIZED TO US & CANADIAN STANDARDS
UL FILE NO. E46765

9. COMPONENT-RECOGNIZED TO EUROPEAN STANDARDS
(ENEC & DEMKO) MARKS LICENSE NO ENEC-03738 & D-08816

10. ROHS 2002/95/EC COMPLIANT

TE CONNECTIVITY LOGO LOCATED APPROXIMATELY AS SHOWN

4. **MECHANICAL SPECIFICATIONS:**
 ACTUATING FORCE: 300g MIN, 700g MAX
 OPERATING LIFE ENDURANCE: >100,000 OPERATIONS
 TERMINAL STRENGTH : >2.5kg- SOLDER LUG
 >10.0kg- QC TAB

OBSOLETE	1	PRBSA1-16F-BR0HW	6-1571091-0
	2	PRBSA1-16L-BR000	5-1571091-8
	1	PRBSA1-16F-BR000	5-1571091-7
	1	PRBSA1-16F-BW0HB	1-1571091-2
OBSOLETE	1	PRBSA1-16F-BW000	1-1571091-1
	1	PRBSA1-16F-BB0HW	1571091-9
	2	PRBSA1-16L-BB0CW	1571091-6
	2	PRBSA1-16L-BB0BW	1571091-5
	2	PRBSA1-16L-BB000	1571091-4
	1	PRBSA1-16F-BB0CW	1571091-3
	1	PRBSA1-16F-BB0BW	1571091-2
	1	PRBSA1-16F-BB000	1571091-1
SHEET REF.	LEGACY PART NUMBER		PART NUMBER

THIS DRAWING IS A CONTROLLED DOCUMENT.		DWN BSV	01APR04	TE Connectivity Ltd.	
DIMENSIONS: mm		CHK J.MOSIER	APVD JP		
TOLERANCES UNLESS OTHERWISE SPECIFIED:		PRODUCT SPEC		POWER ROCKER SWITCH 13.8mmX27.6mm	
0 PLC ± -		APPLICATION SPEC		PANEL SIZE SPST, 2 TERMINALS, NON-ILLUMINATED	
1 PLC ± 0.30		WEIGHT		SIZE A2	CAGE CODE 00779
2 PLC ± 0.05		CUSTOMER DRAWING		DRAWING NO	RESTRICTED TO
3 PLC ± -		SCALE 1:1		1571091	3 of 3
4 PLC ± -		SHEET		REV H	
ANGLES ± -		SHEET 3 of 3			
FINISH		REV			