

THIS DRAWING IS UNPUBLISHED.

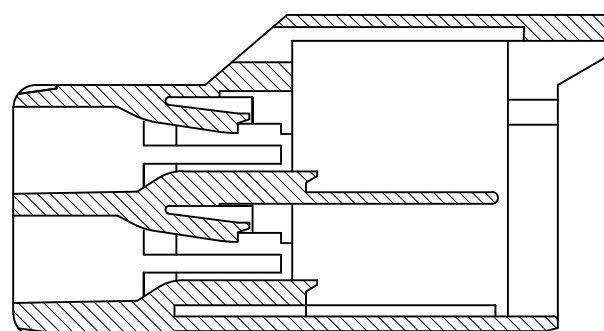
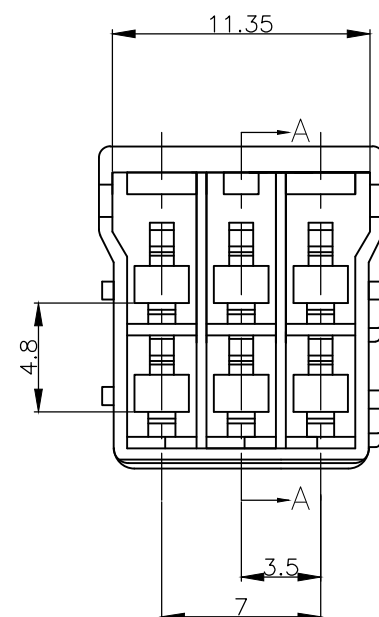
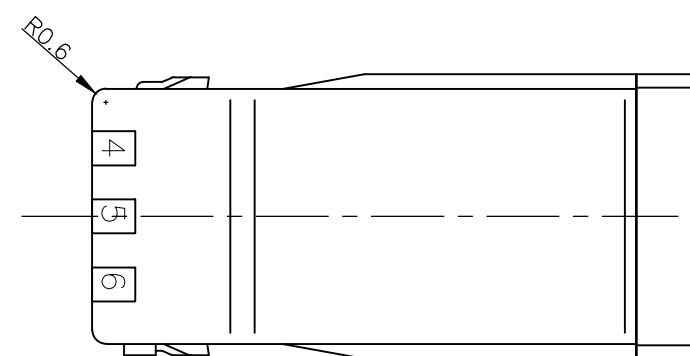
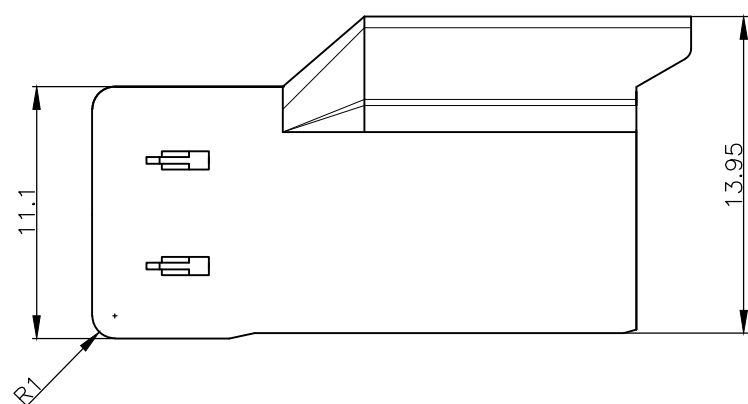
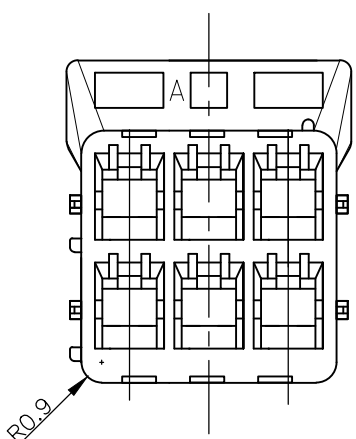
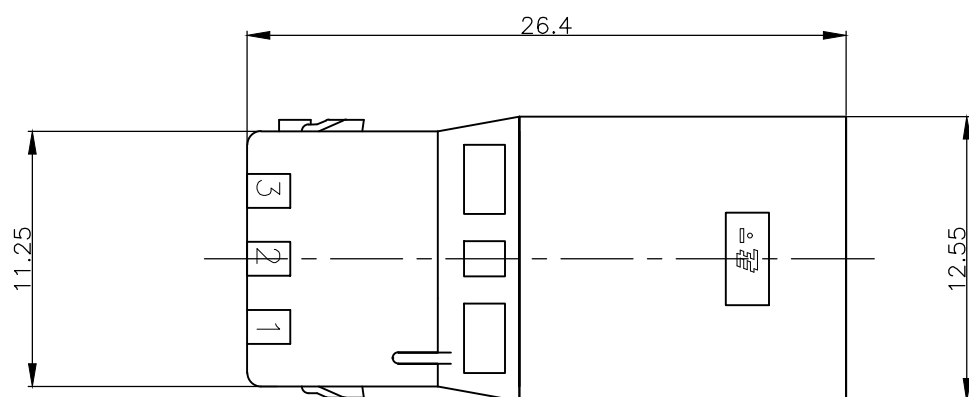
RELEASED FOR PUBLICATION

REVISIONS

© COPYRIGHT - TE Connectivity Ltd.

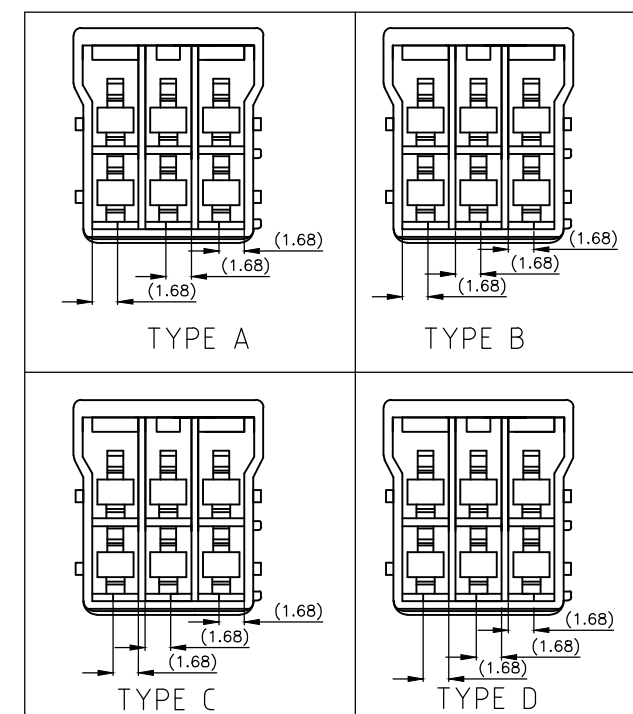
ALL RIGHTS RESERVED.

P	LTR	DESCRIPTION	DATE	DWN	APVD
	A1	REVISED PER ECR-20-006615	08MAY2020	SC	D.Z



断面A-A

KEYING TYPE



3-1565084-4	D	YELLOW	3-1565088-4
2-1565084-3	C	BLUE	2-1565088-3
1-1565084-2	B	RED	1-1565088-2
1565084-1	A	NATURAL	1565088-1
MATING HSG P/N	KEYING TYPE	COLOR	P/N

注) 1.一般公差:±0.25

△材料: 66ナイロン ガラス無 (UL94V-0)

△かん合相手製品型番

プラグハウジング: TABLE参照のこと

タブコンタクト: 1565080-1, 1612335-1

4. 適応プレート型番: 1565090-1

NOTES)

1. GENERAL TOLERANCE: ±0.25

△ MATERIAL: 66 NYLON NON-GLASS FILLED (UL94V-0)

△ MATING CONN. P/N

PLUG HOUSING: SEE TABLE

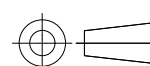
TAB CONTACT ; 1565080-1, 1612335-1

4. APPLICABLE PLATE P/N : 1565090-1

THIS DRAWING IS A CONTROLLED DOCUMENT.

DIMENSIONS:
単位: 耗
mm

TOLERANCES UNLESS
OTHERWISE SPECIFIED:
一般公差



0 PLC	±
1 PLC	±
2 PLC	±
3 PLC	±
4 PLC	±
ANGLES	±

MATERIAL
材料

SEE NOTE 2

FINISH
仕上

-

DWN 30 MAY. '02

A.OISHI

CHK 30 MAY. '02

M.SHINDO

APVD 30 MAY. '02

M.SHINDO

PRODUCT SPEC

製品規格

108-5810

APPLICATION SPEC

取付適用規格

114-5306

WEIGHT

-

CUSTOMER DRAWING

STE TE Connectivity

NAME
名称
GRACE INERTIA CONNECTOR 3.5
6POS CAP HOUSING(2ROW)

グレイス・イナーシャ・コネクタ 3.5 6極 キャップハウジング

SIZE	CAGE CODE	DRAWING NO 番号	RESTRICTED TO
A3	00779	C-1565088	-

SCALE
尺度

SHEET

1 OF 1

REV
A1