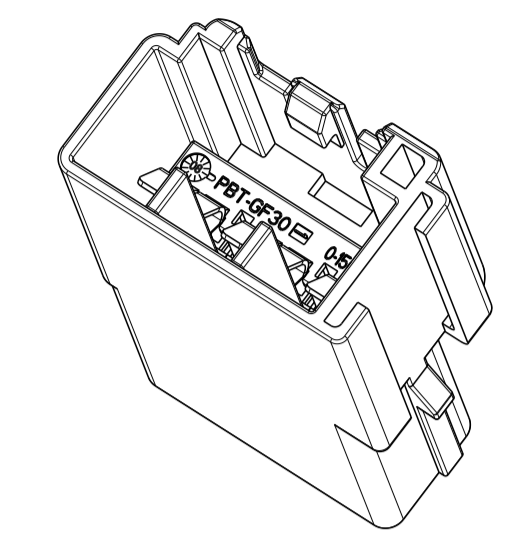
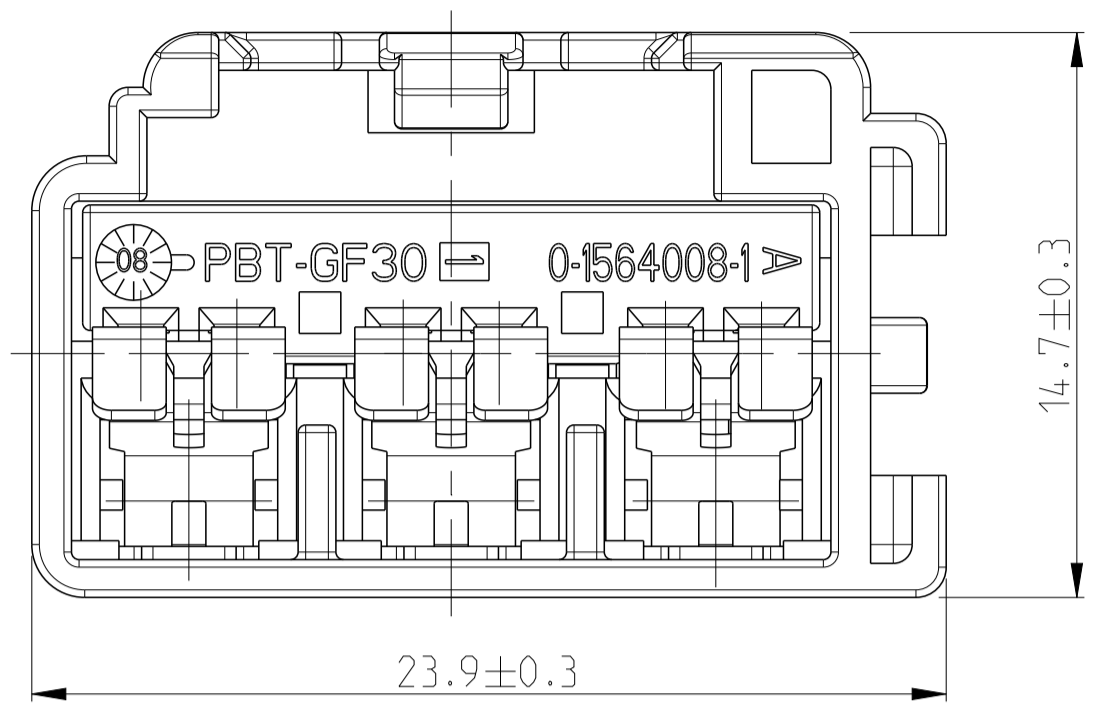
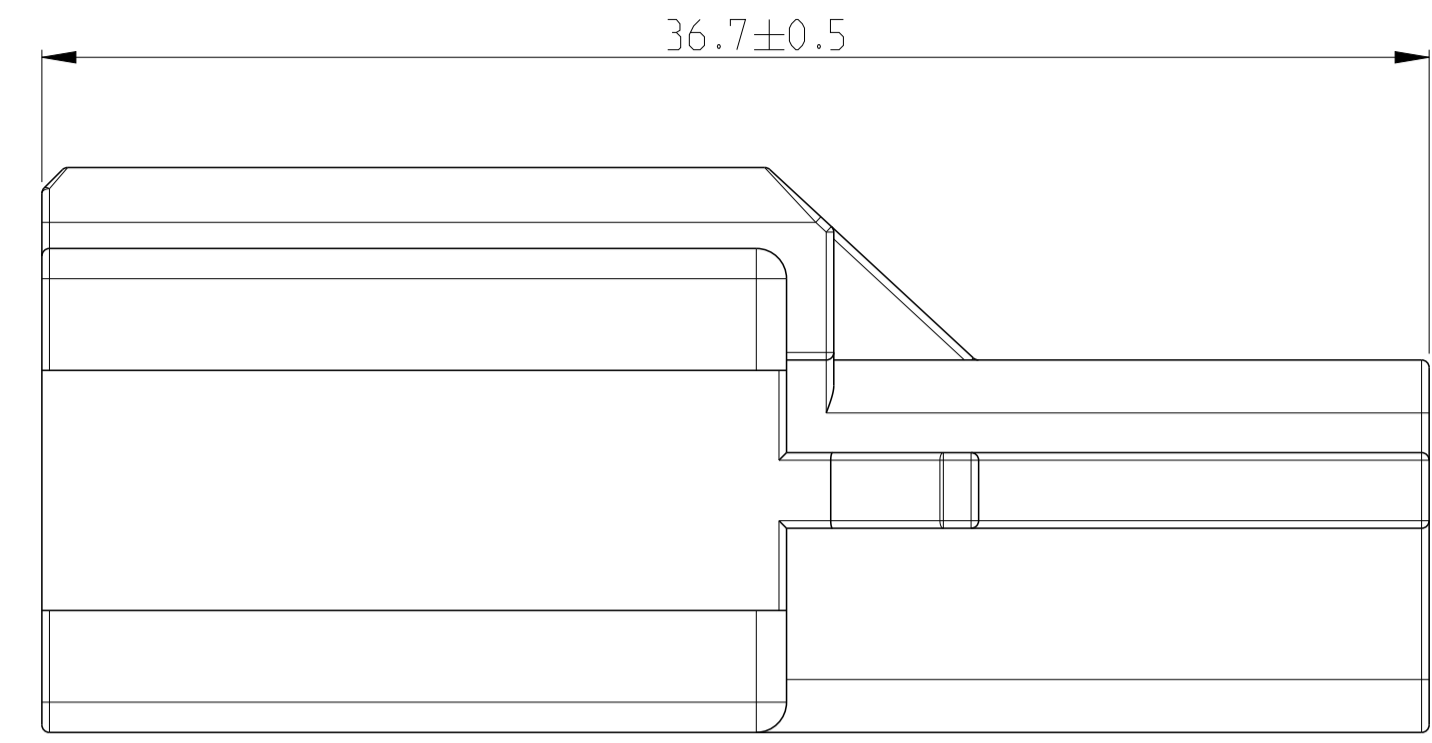
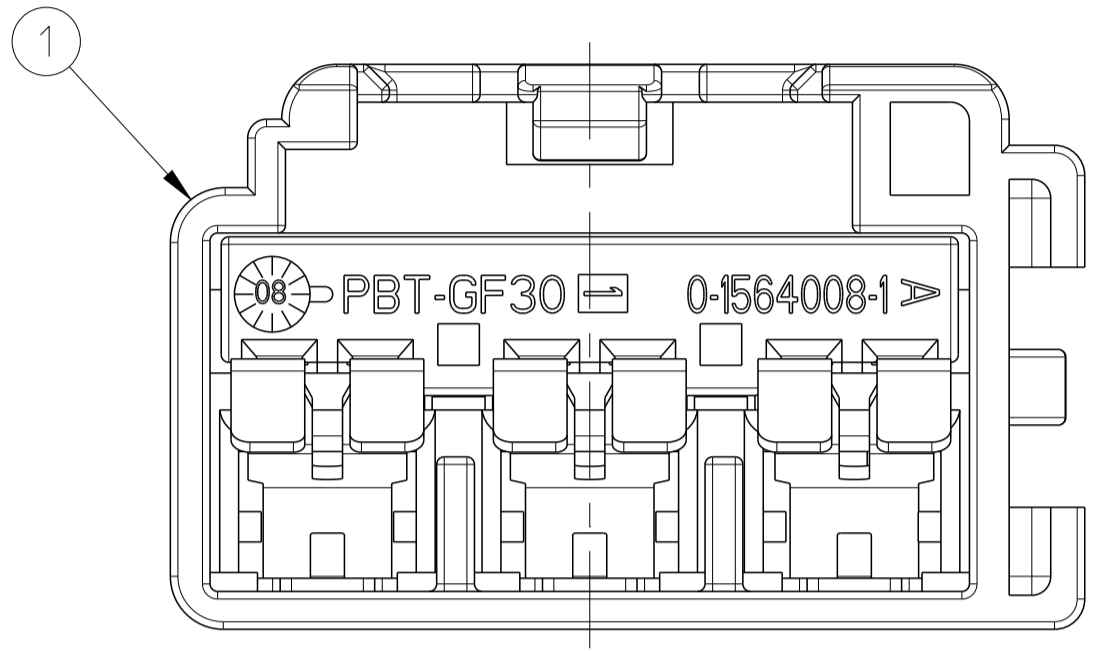
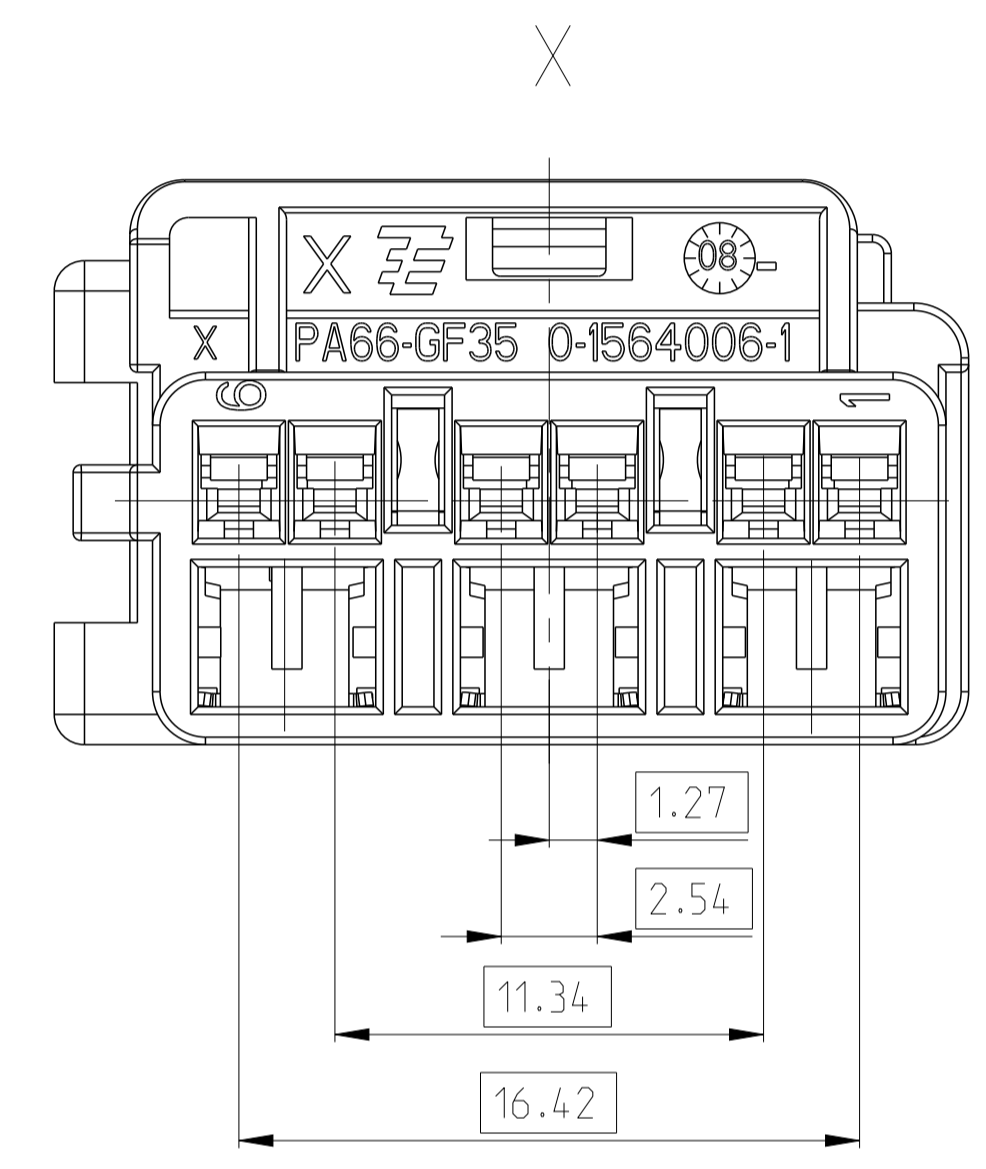
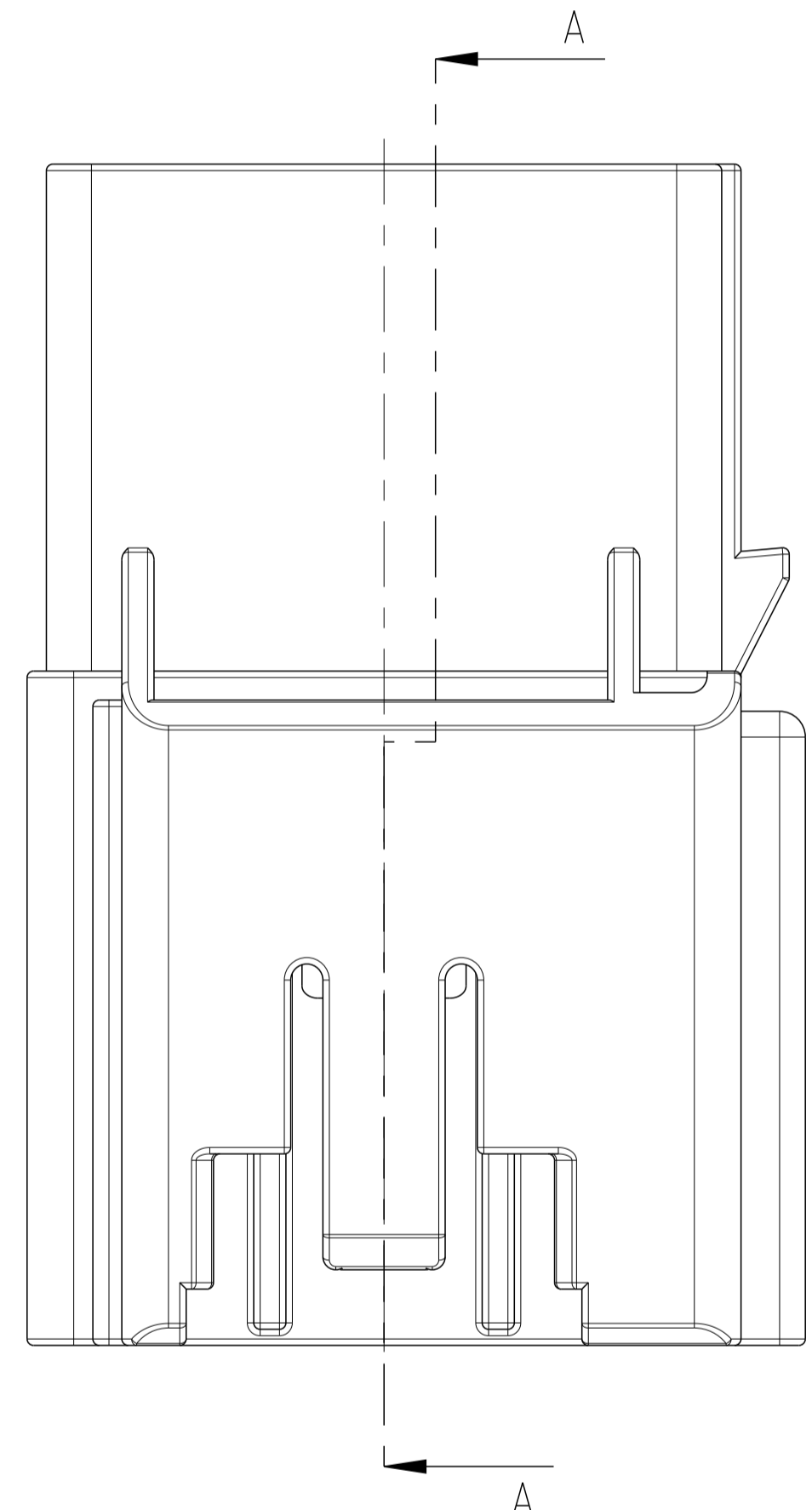
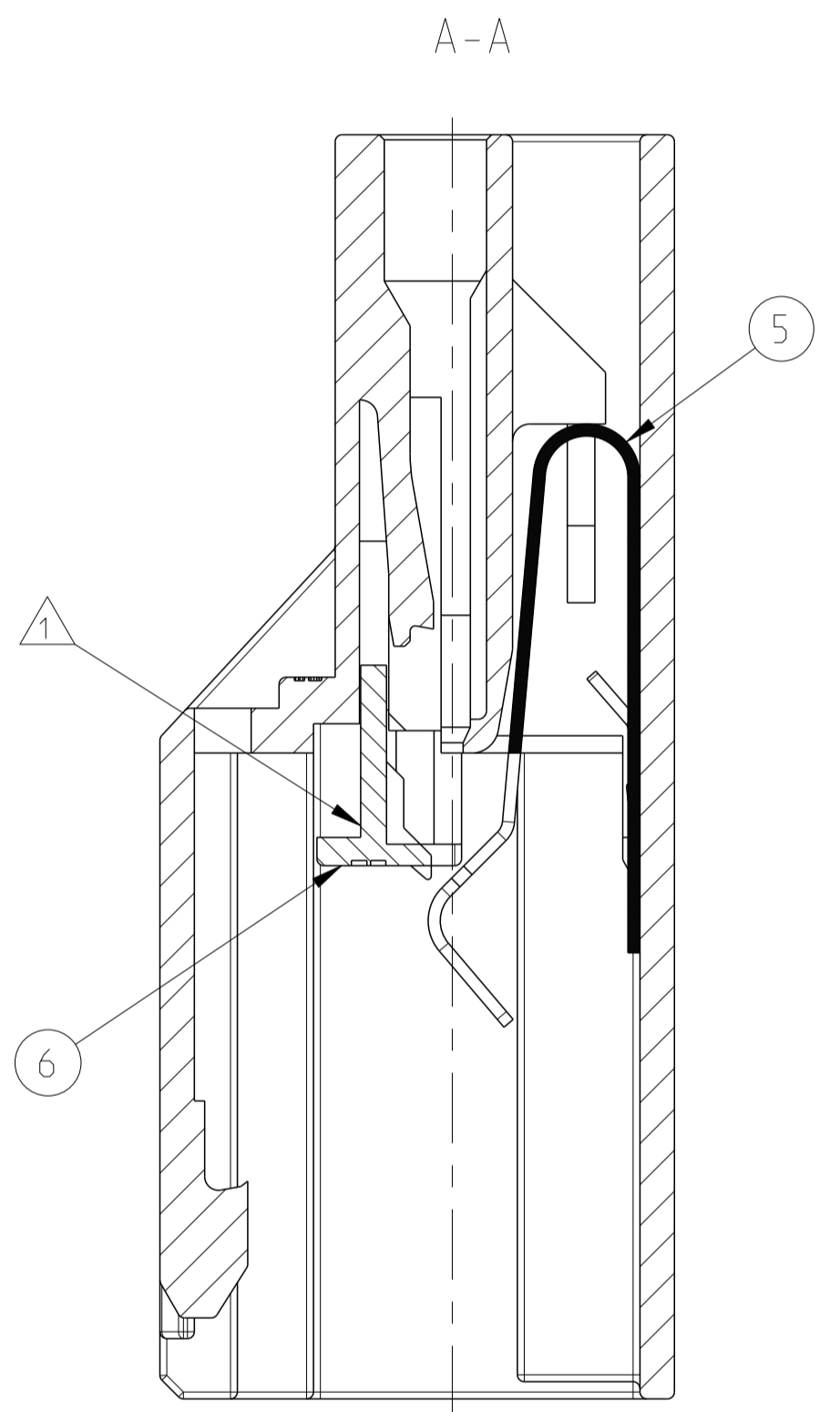
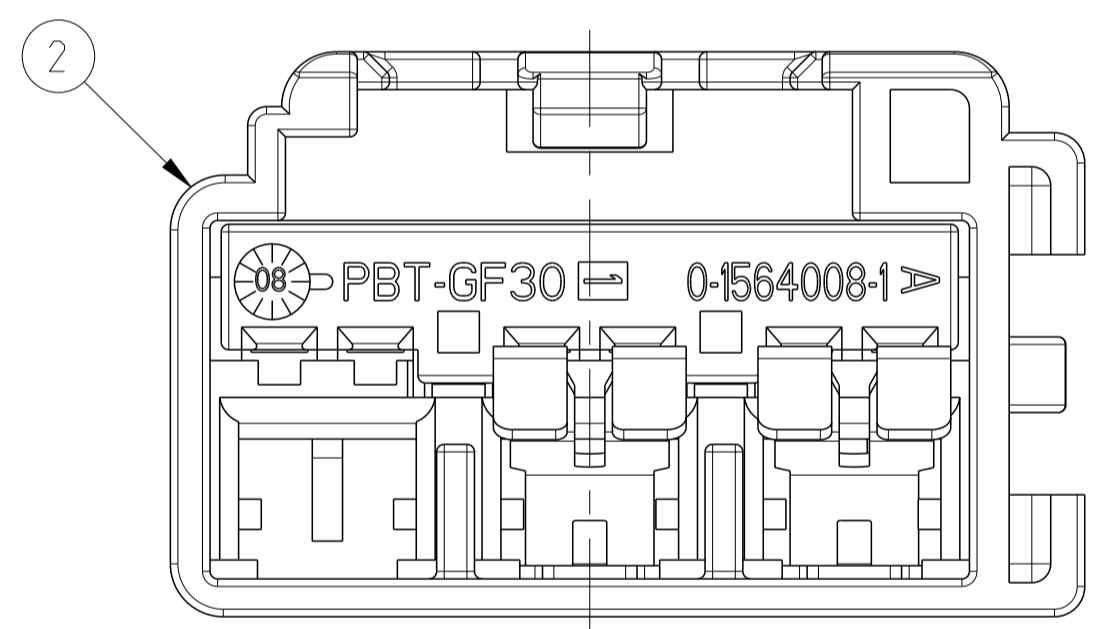


REVISIONS				
P	LTN	DESCRIPTION	DATE	APPV
A1	ECR-08-015577	NEW PART 1564004-2	19JUN2008	CW GS
A2	SEE ECR-08-027389		30OCT2008	HM GS
A3	ECR-10-018874		07SEP2010	GP GM
A4	ECR-14-002213		20APR2014	SS GS

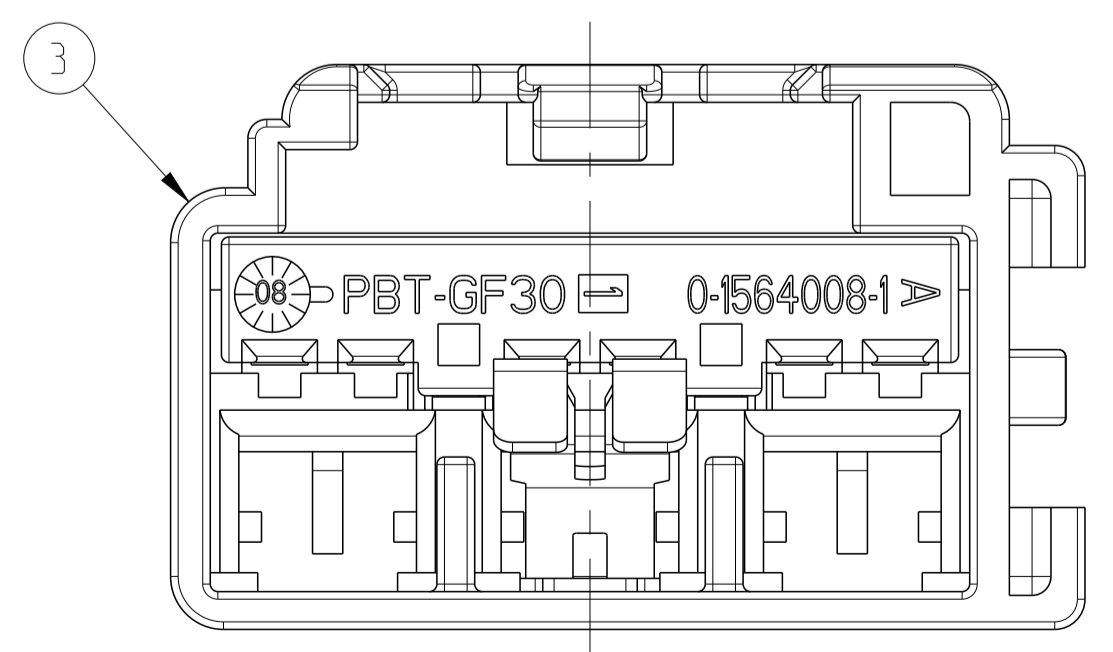
0-1564004-1
3x SHORTING BAR



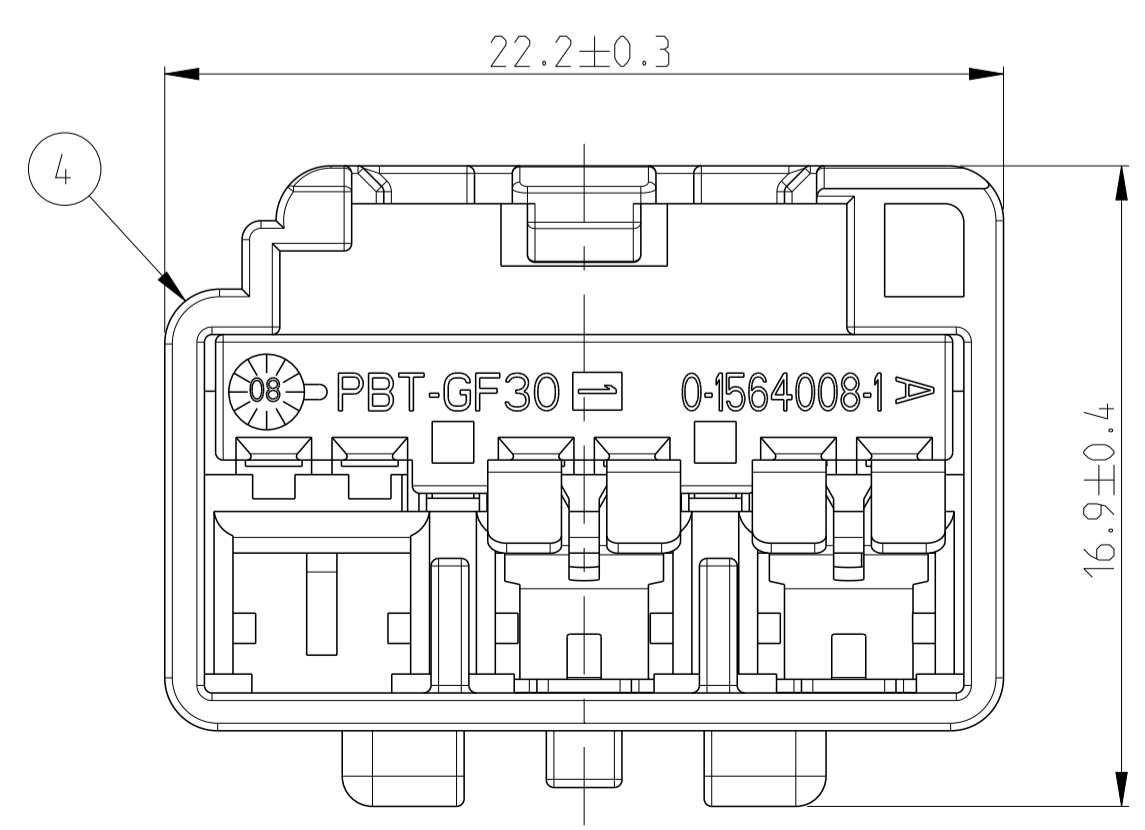
0-1564004-2
2x SHORTING BAR



0-1564004-3
1x SHORTING BAR



9-1564004-2
2x SHORTING BAR



NOTES:
Bemerkungen:

1 DELIVERY POSITION: SPACER IN PRE LOCK POSITION
Auslieferungszustand: Spacer in Vorraststellung

2 PACKING: CORRUGATED LAYER PAD IN SHIPPING BOX
Verpackung: Lagenverpackung

3 SUITABLE GET MALE TERMINALS:
Passende GET Stifkontakte:

3-14 19158-1	1L2T-14421-DA	0.22 / 0.35mm ²	GOLD
2-14 19158-3	1L2T-14421-CA	0.50 / 0.75mm ²	GOLD
TE-PN	FORD-PN	WIRESIZE Drahtquerschnitt	FINISH Oberflaeche

□ DENOTES BASIC DIMENSIONS HAVE ZERO TOLERANCE AND DESCRIBE THE THEORETICAL EXACT LOCATION (TRUE POSITION) OF A FEATURE OR CONTOUR.
Theoretische Funktionsmasse, sie haben keine Toleranz und geben eine genaue Lage, Funktion oder Kontur an.

ITEM NO.	QTY	DESCRIPTION	MATERIAL	COLOUR	REV
1	1	SPACER	PBT-GF30	RED	6
2	2	SHORT-CIRCUIT-SPRING	X12CrNi177	-	5
1	1	MALE HOUSING	PA66-GF35	ORANGE	4
1	1	SPACER	PBT-GF30	RED	6
1	1	SHORT-CIRCUIT-SPRING	X12CrNi177	-	5
1	1	MALE HOUSING	PA66-GF35	VIOLET Bordeaux	3
1	1	SPACER	PBT-GF30	RED	6
2	2	SHORT-CIRCUIT-SPRING	X12CrNi177	-	5
1	1	MALE HOUSING	PA66-GF35	ORANGE	2
1	1	SPACER	PBT-GF30	RED	6
3	3	SHORT-CIRCUIT-SPRING	X12CrNi177	-	5
1	1	MALE HOUSING	PA66-GF35	YELLOW	1

THIS DRAWING IS A CONTROLLED DOCUMENT.

DIMENSIONS:	TOLERANCES UNLESS OTHERWISE SPECIFIED	OWN: A. Loescher	DATE: 04DEC2007
mm	0 PLC ±	CHK: G. Steinbach	05DEC2007
1 PLC ±	1 PLC ±	APPV: G. Mumber	05DEC2007
2 PLC ±	2 PLC ±	PRODUCT SPEC	
3 PLC ±	3 PLC ±	APPLICATION SPEC	
4 PLC ±	4 PLC ±	WEIGHT	
MILLES ±	MILLES ±	SIZE	
FINISH ±	FINISH ±	CAGE CODE	
		DRAWING NO.	
		RESTRICTED TO	

Customer Drawing

SCALE: 5:1 SHEET 1 OF 1 REV: A4

TE Connectivity
 NAME: 6POS. GET MALE ASSY. UNSEALED SB-Version
 SIZE: A1 00779 ©=1564004

-1 AS SHOWN
wie gezeichnet