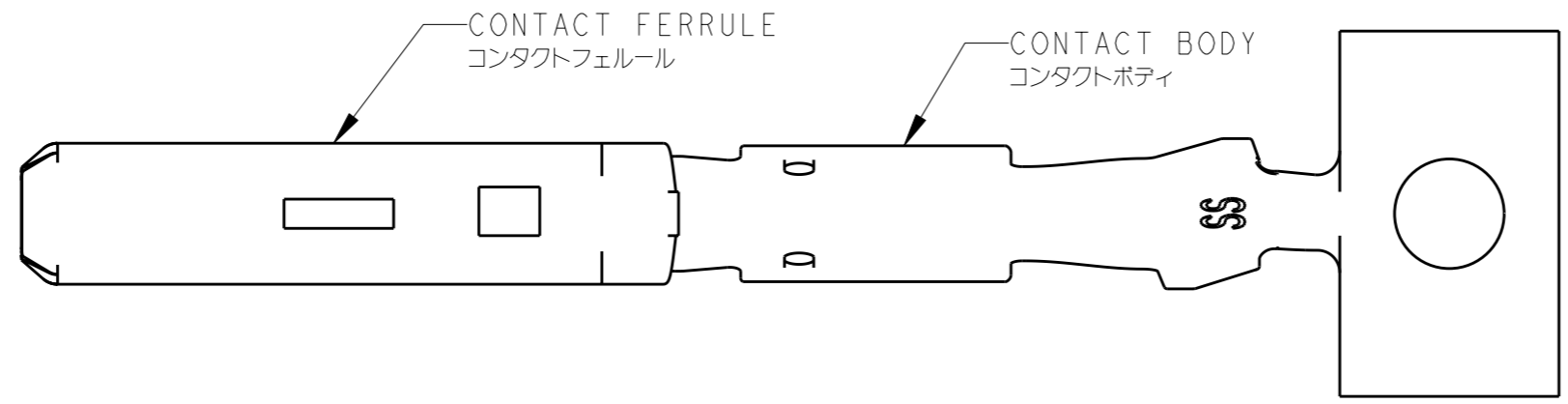
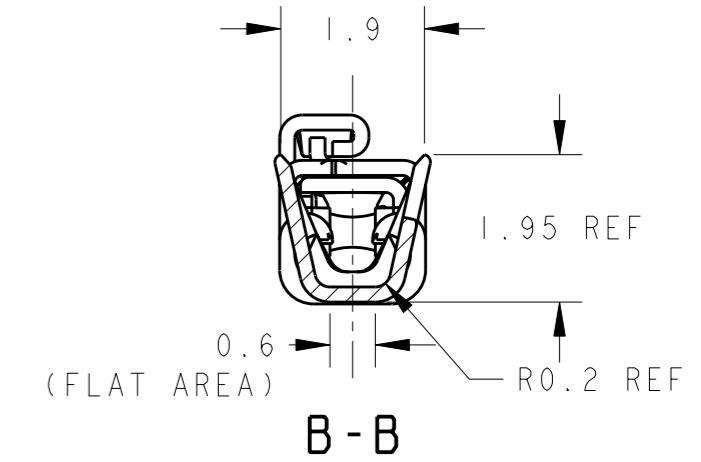
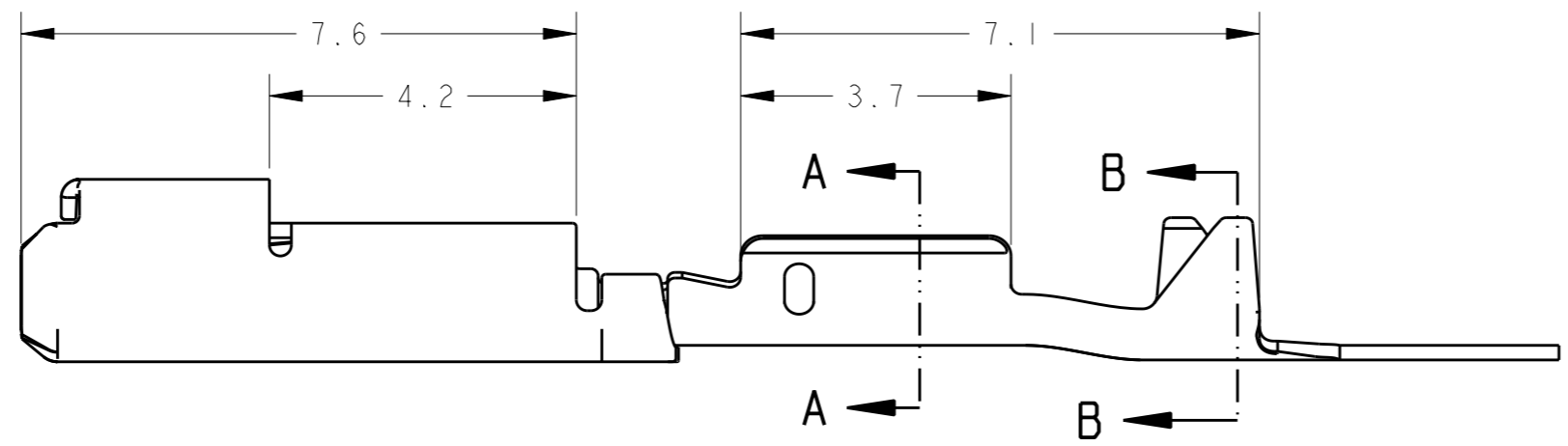
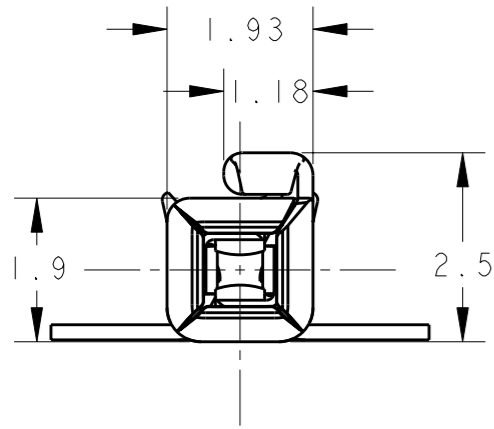
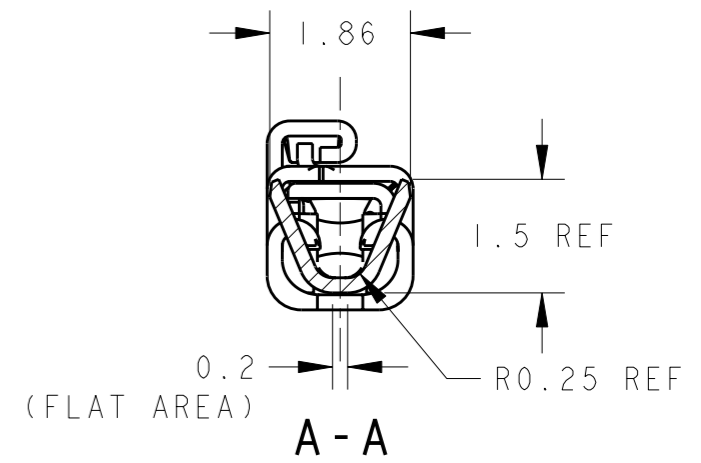
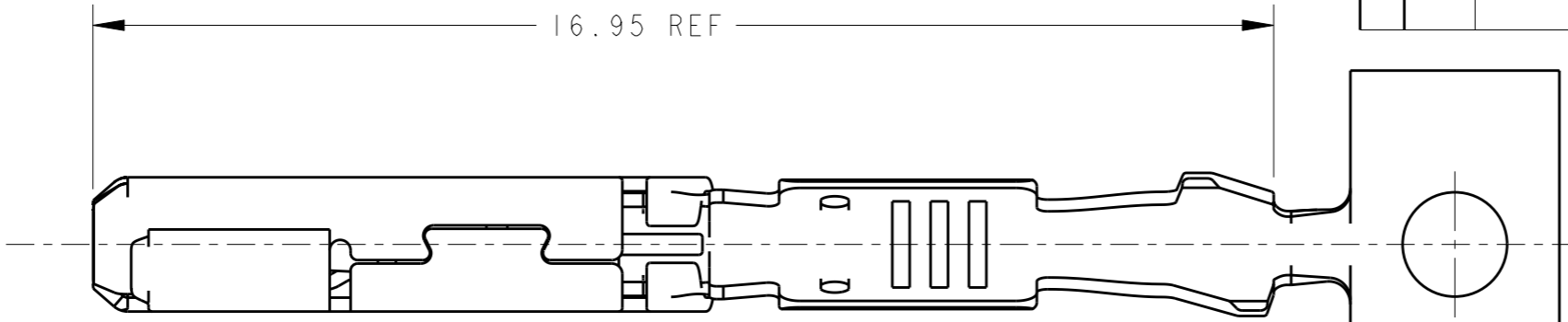


THIS DRAWING IS UNPUBLISHED. RELEASED FOR PUBLICATION 20
 © COPYRIGHT 2011 BY TYCO ELECTRONICS CORPORATION. ALL RIGHTS RESERVED.

LOC	DIST	REVISIONS					
J	-	P	LTR	DESCRIPTION	DATE	DWN	APVD
		A		RELEASED	31JAN2011	SU	YF



1. APPLICATOR FEED : 8mm
 1. アプリケータ送りピッチ : 8mm

BRASS PLAIN	COPPER ALLOY PRE-TIN	1554921-1
CONTACT FERRULE コンタクトフェルル	CONTACT BODY コンタクトボディ	PART NUMBER
MATERIAL / FINISH 材料 / 仕上		

WIRE RANGE 包合電線断面積	0.22 mm ²	INSULATION DIA 被覆外径	φ1.1~1.2
-----------------------	----------------------	------------------------	----------

THIS DRAWING IS A CONTROLLED DOCUMENT FOR TYCO ELECTRONICS CORPORATION. IT IS SUBJECT TO CHANGE AND THE CONTROLLING ENGINEERING ORGANIZATION SHOULD BE CONTACTED FOR THE LATEST REVISION.		DWN	S. UEHARA	31JAN2011
DIMENSIONS: 単位: 耗 mm		CHK	Y. NOGUCHI	31JAN2011
TOLERANCES UNLESS OTHERWISE SPECIFIED: 一般公差 ±0.3		APVD	Y. FUJIWARA	31JAN2011
0-PLC ±		PRODUCT SPEC	108-5911	
1-PLC ±0.1		APPLICATION SPEC	114-5278	
2-PLC ±0.05		WEIGHT	0.22g	
3-PLC ±0.025		CUSTOMER DRAWING		
4-PLC ±0.0001				
ANGLES ±1.00'				
MATERIAL 材料	COPPER ALLOY	FINISH 仕上	SEE TABLE	

Tyco Electronics Corporation Kawasaki, Japan		NAME 名称		REC CONTACT ASSY SS RANGE CLEAN BODY 025 CONNECTOR
SIZE	A3	CAGE CODE	00779	DRAWING NO 番号
RESTRICTED TO		C=1554921		
SCALE 尺度	10:1	SHEET	1	OF 1
REV		A		