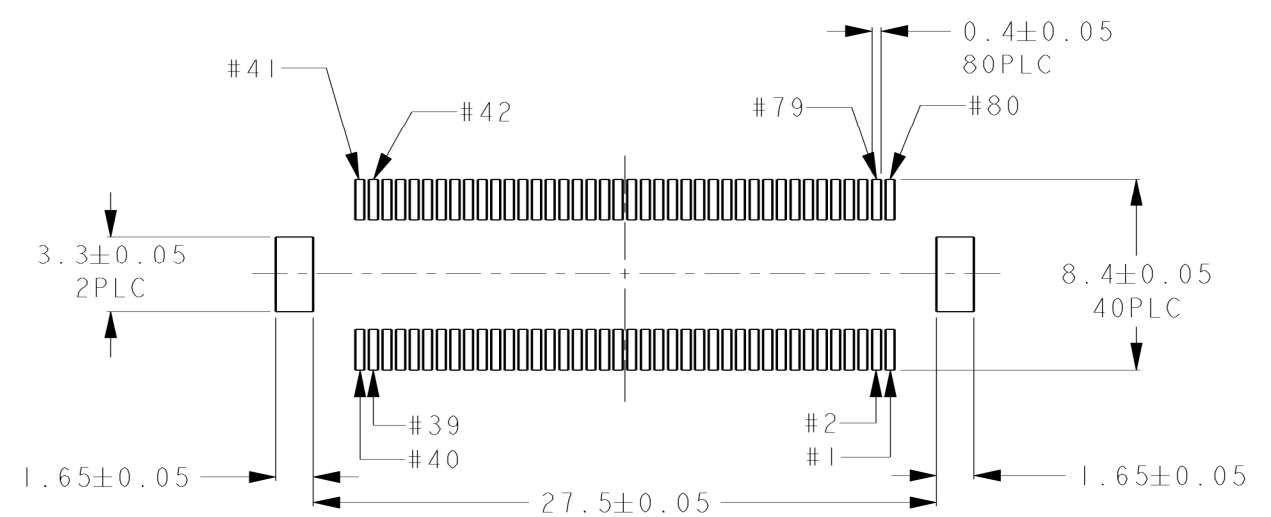
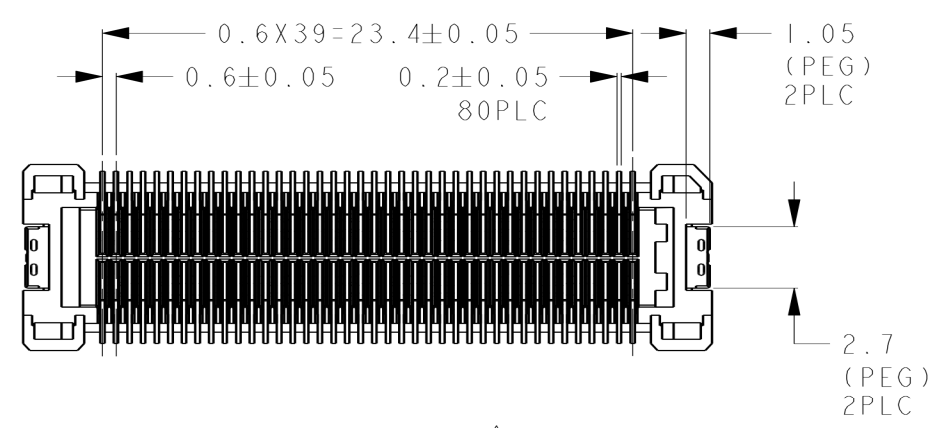
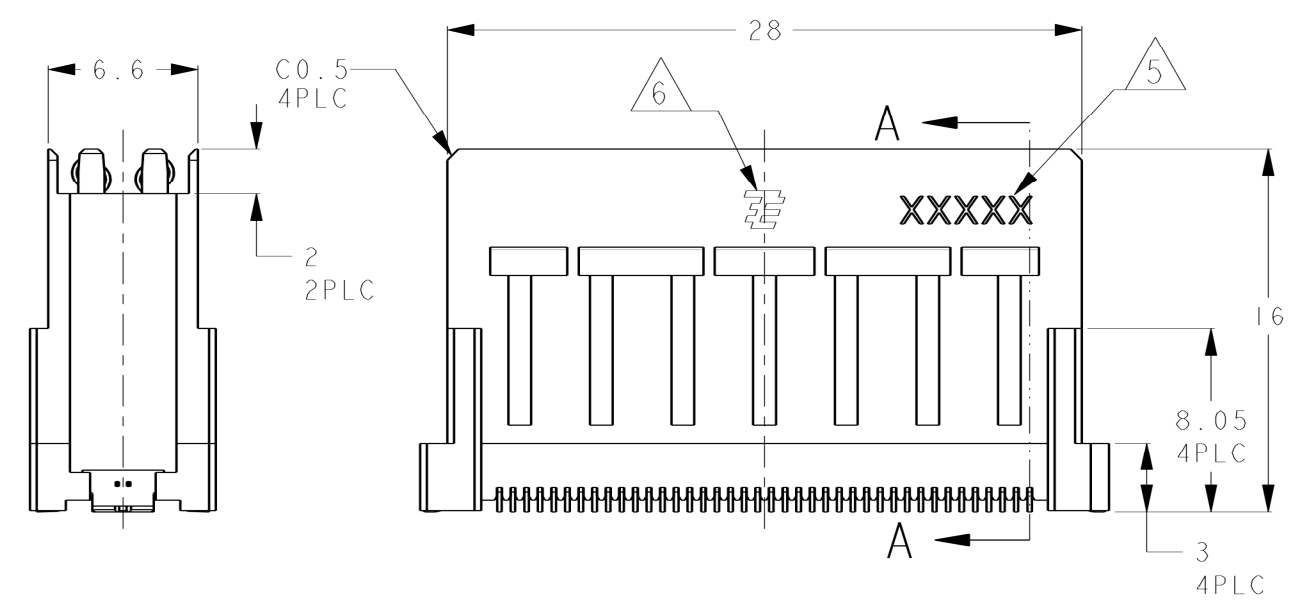
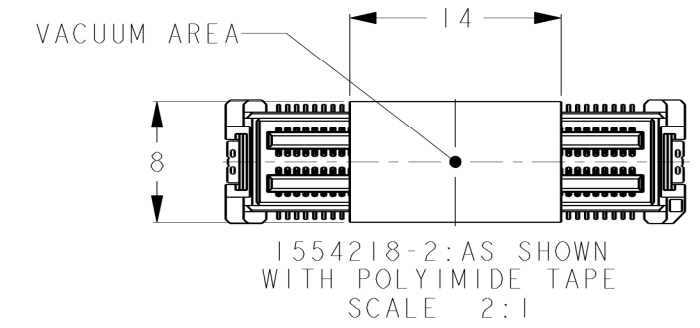
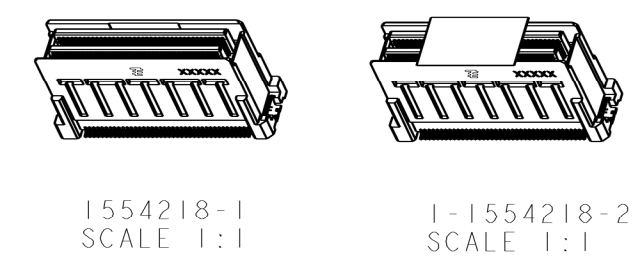
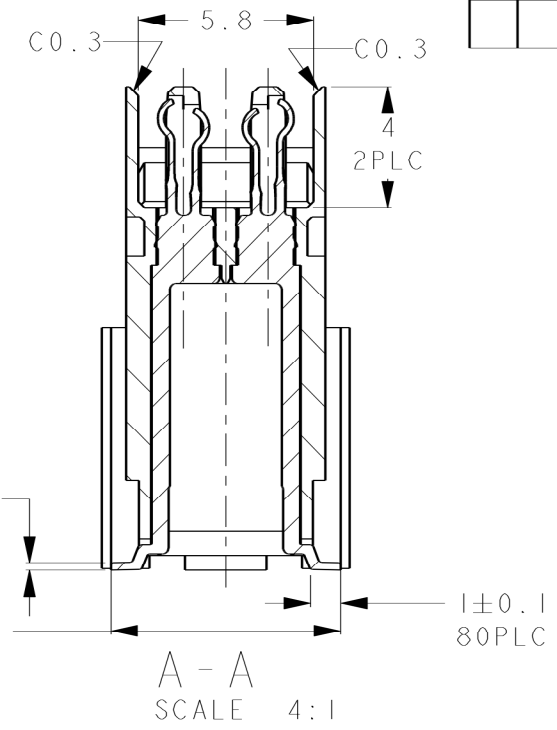
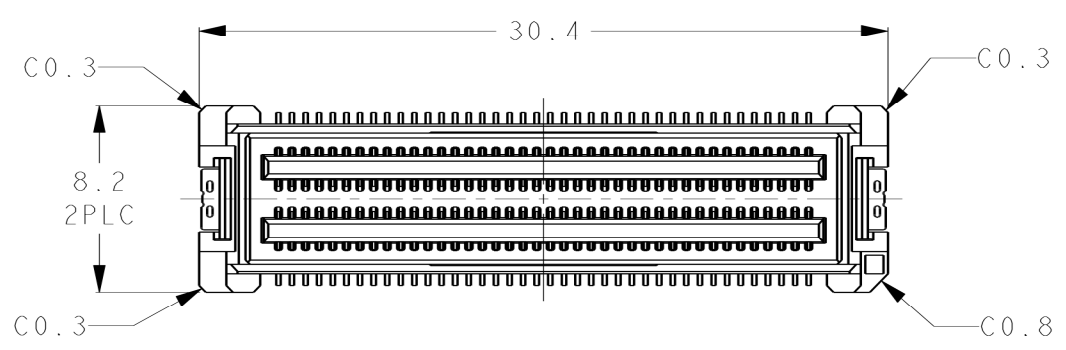


THIS DRAWING IS UNPUBLISHED. RELEASED FOR PUBLICATION 20
 © COPYRIGHT 20 TE CONNECTIVITY ALL RIGHTS RESERVED.

LOC	DIST	REVISIONS 変更					
		P	LTR	DESCRIPTION	DATE	DWN	APVD
-	-		A	RELEASED	28JUL2010	T.S	N.Y
			B	REVISED	06MAR2013	T.S	N.Y
			C	REVISED	30MAR2018	W.A	B.R



- ① MATERIAL : HOUSING; LCP
; CONTACT; COPPER ALLOY
- ② FINISH : UNDER Ni PL. 0.8μmMIN
CONTACT AREA: Au PL. 0.3μmMIN
SOLDERING AREA: Au FLASH
- 3. COPLANARITY 0.1MAX.
- 4. -1, -2 IS 45 CONNECTORS IN HARD TRAY IN HARD TRAY (SEE SHEET 2)
- ⑤ DATE CODE
- ⑥ TE LOGO MARK

- ① 材料:ハウジング : 液晶ポリマー
コンタクト : 銅合金
- ② 仕上げ : 全面ニッケル下地 0.8μmMIN
接点部 金メッキ 0.3μmMIN
半田付部 金フラッシュ
- 3. コプラナリティー 0.1MAX
- 4. 梱包形態は、-1/-2は45個入り (シート2参照)
- ⑤ デートコード
- ⑥ TEロゴマーク

参考基板取付寸法
REFERENCE PCB LAYOUT

THIS DRAWING IS A CONTROLLED DOCUMENT.		DWN T. SHIMOYASU 28JUL2010	TE Connectivity NAME HDR ASSEMBLY 16mm HEIGHT 0.6mm PITCH 80P MICRO-STACK CONNECTOR	
DIMENSIONS: 単位: 耗 mm		CHK S. YAMADA 28JUL2010		
TOLERANCES UNLESS OTHERWISE SPECIFIED: 一般公差 ±0.3 0-PLC ± 1-PLC ±0.5 2-PLC ±0.13 3-PLC ±0.013 4-PLC ±0.001 ANGLES ±3°		APVD N. YAMASAKI 28JUL2010	DRAWING NO 108-5724	
MATERIAL 材料		FINISH 仕上	APPLICATION SPEC 取付適用規格	RESTRICTED TO
		WFIGHT 1.79g	SIZE A3	CAGE CODE 300779
		DRAWING NO C=1554218		SCALE 1:1
		CUSTOMER DRAWING		SHEET 1 OF 3
				REV C

THIS DRAWING IS UNPUBLISHED.

RELEASED FOR PUBLICATION

20

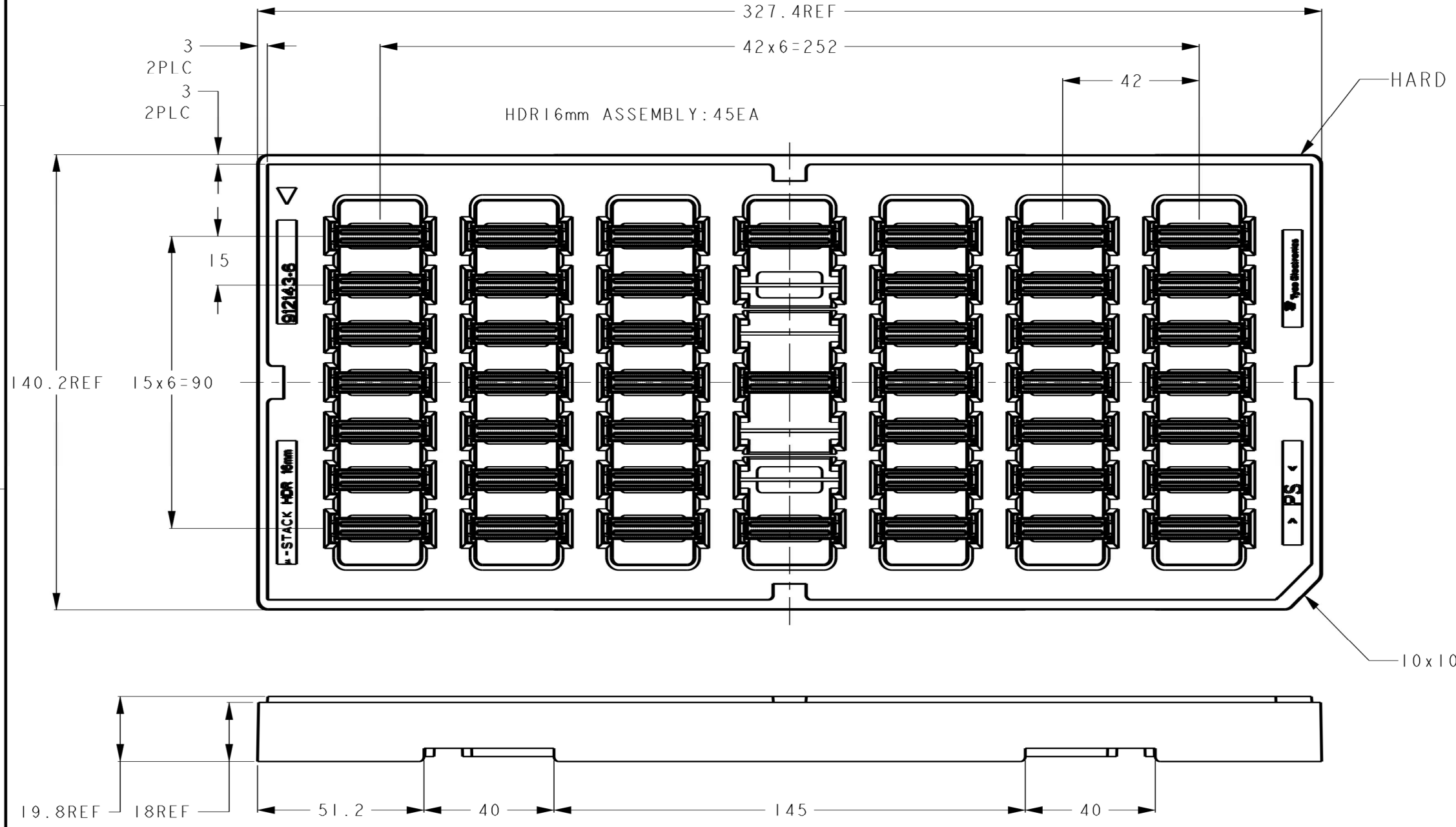
© COPYRIGHT 20 TE CONNECTIVITY

ALL RIGHTS RESERVED.

LOC - DIST -

REVISIONS


P	LTR	DESCRIPTION	DATE	DWN	APVD
-	-	SEE SHEET 1	-	-	-



- I: AS SHOWN
- I: 本図

HARD TRAY PACKING SPEC

45	BLACK
CONN QTY	HARD TRAY COLOR

THIS DRAWING IS A CONTROLLED DOCUMENT.		DWN T. SHIMOYASU 28 JUL 2010		 TE Connectivity	
DIMENSIONS: 単位: 概 mm		CHK S. YAMADA 28 JUL 2010			
TOLERANCES UNLESS OTHERWISE SPECIFIED: 一般公差 ±0.3		APVD N. YAMASAKI 28 JUL 2010		NAME 名称 HDR ASSEMBLY 16mm HEIGHT	
0 PLC ±		PRODUCT SPEC 108-5724		0.6mm PITCH 80P	
1 PLC ±0.5		APPLICATION SPEC 取付適用規格		MICRO-STACK CONNECTOR	
2 PLC ±0.13		WEIGHT 1.79g		SIZE A3	RESTRICTED TO
3 PLC ±0.013		CAGE CODE 300779		DRAWING NO. C-1554218	
4 PLC ±0.000J		CUSTOMER DRAWING		SCALE 1:1	SHEET 2 OF 3
ANGLES ±3					REV C
FINISH 仕上					

4

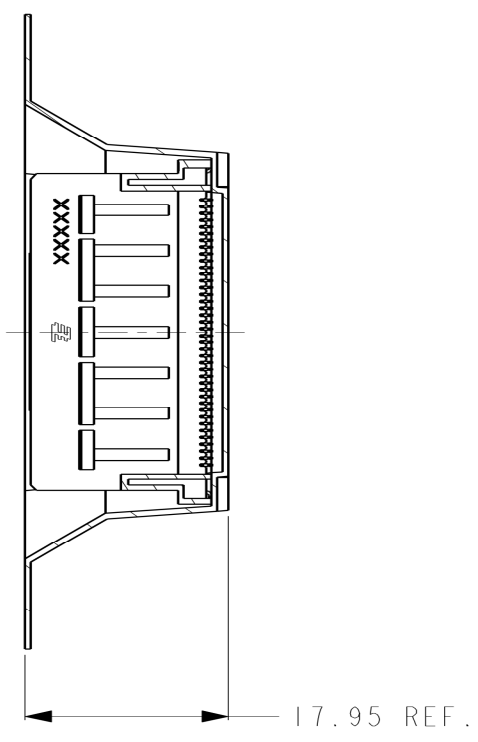
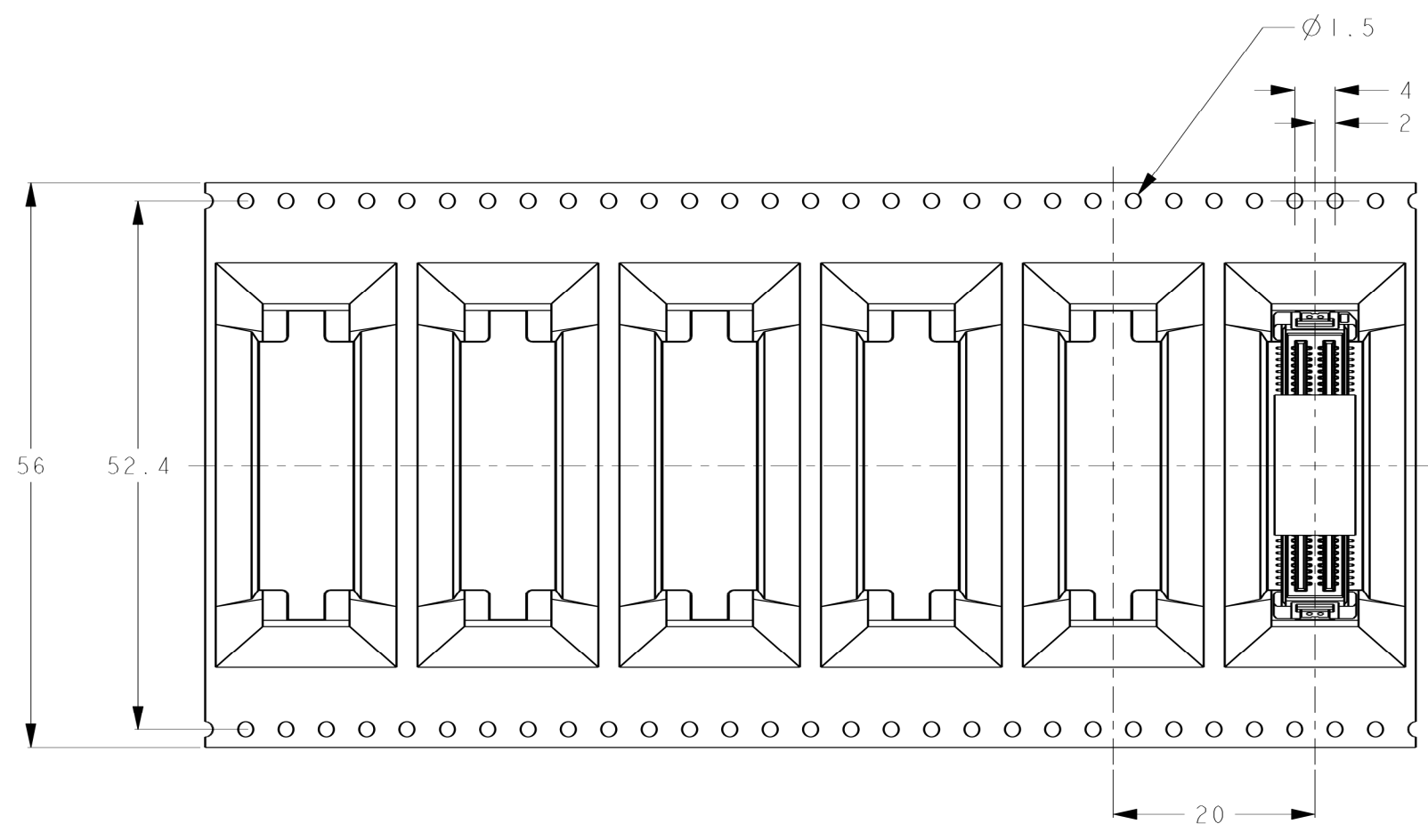
3

2

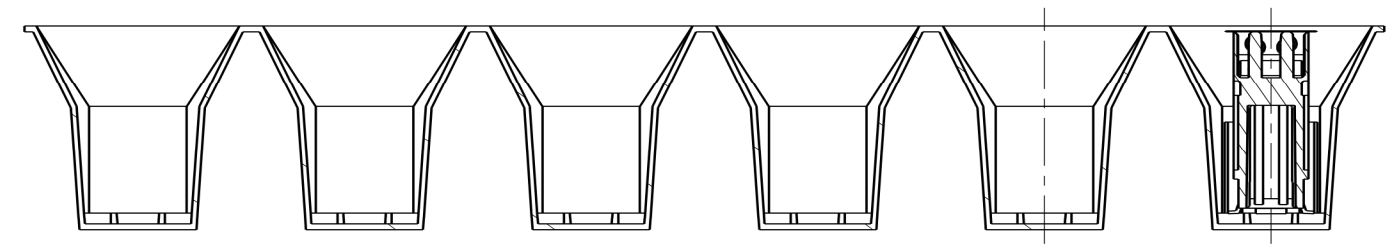
1

THIS DRAWING IS UNPUBLISHED. RELEASED FOR PUBLICATION 20
 © COPYRIGHT 20 TE CONNECTIVITY ALL RIGHTS RESERVED.

LOC	DIST	REVISIONS					
		P	LTR	DESCRIPTION	DATE	DWN	APVD
-	-	-	-	SEE SHEET 1	-	-	-




- 1 : AS SHOWN
 - 1 : 本 図



TAPE REEL PACKING SPEC
 P/N: 1-1554218-3

140	WHITE
CONN QIY	TAPE REEL COLOR

THIS DRAWING IS A CONTROLLED DOCUMENT.		DWN	28 JUL 2010	 TE Connectivity											
DIMENSIONS: 单位: 耗 mm		CHK	28 JUL 2010												
TOLERANCES UNLESS OTHERWISE SPECIFIED: 一般公差 ±0.3		APVD	28 JUL 2010												
<table border="1"> <tr><td>0-PLC</td><td>±</td></tr> <tr><td>1-PLC</td><td>±0.5</td></tr> <tr><td>2-PLC</td><td>±0.13</td></tr> <tr><td>3-PLC</td><td>±0.013</td></tr> <tr><td>4-PLC</td><td>±0.0001</td></tr> <tr><td>ANGLES</td><td>±3°</td></tr> </table>		0-PLC	±		1-PLC	±0.5	2-PLC	±0.13	3-PLC	±0.013	4-PLC	±0.0001	ANGLES	±3°	NAME
0-PLC	±														
1-PLC	±0.5														
2-PLC	±0.13														
3-PLC	±0.013														
4-PLC	±0.0001														
ANGLES	±3°														
MATERIAL 材料		PRODUCT SPEC	108-5724	NAME	HDR ASSEMBLY 16mm HEIGHT										
FINISH 仕上		APPLICATION SPEC	取付適用規格	0.6mm PITCH 80P	MICRO-STACK CONNECTOR										
		WFIGHT	1.79g	SIZE	A3										
		CUSTOMER DRAWING		CAGE CODE	300779										
				DRAWING NO	1554218										
				RESTRICTED TO											
				SCALE	1:1										
				SHEET	3 OF 3										
				REV	C										