

THIS DRAWING IS UNPUBLISHED.

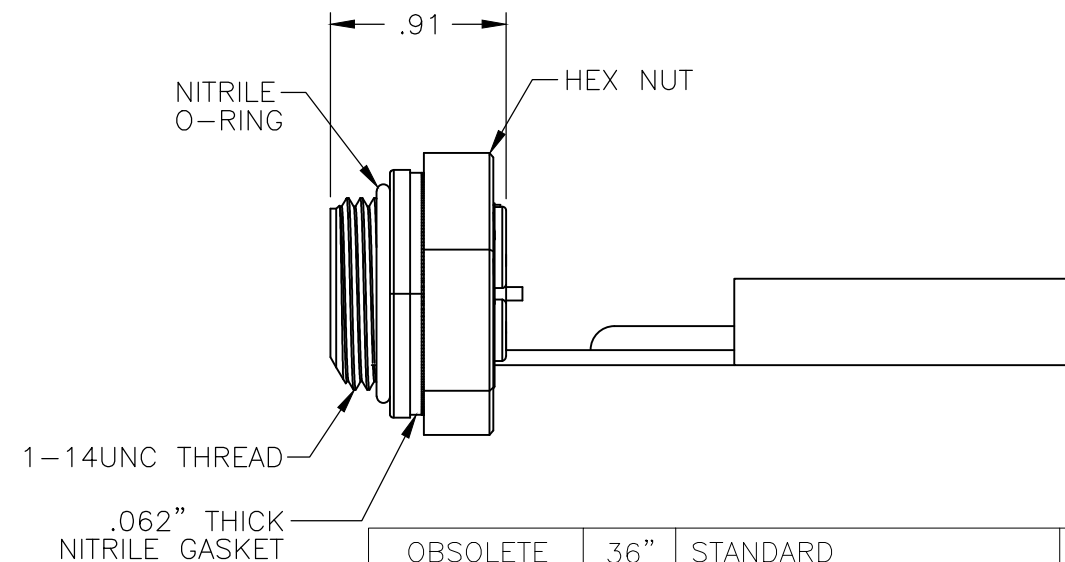
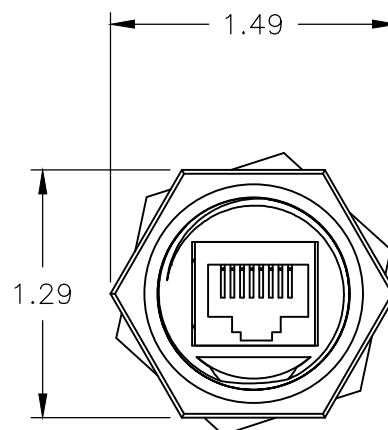
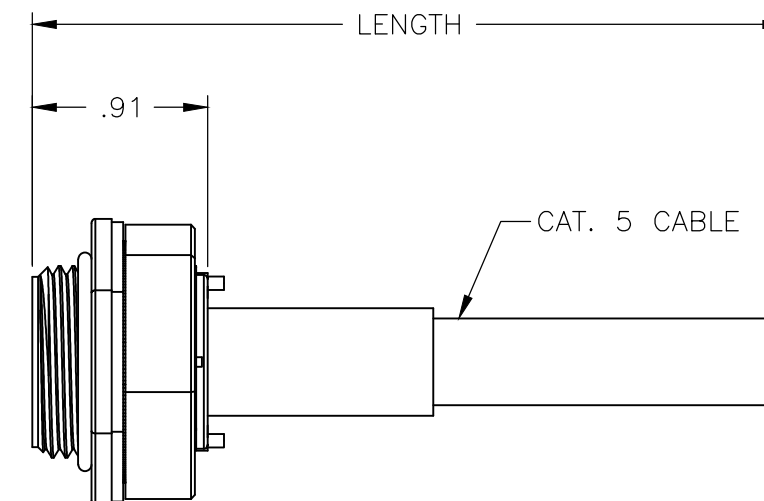
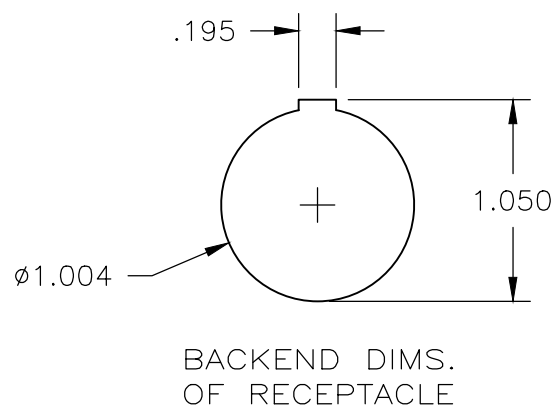
RELEASED FOR PUBLICATION

© COPYRIGHT - TE Connectivity Ltd.

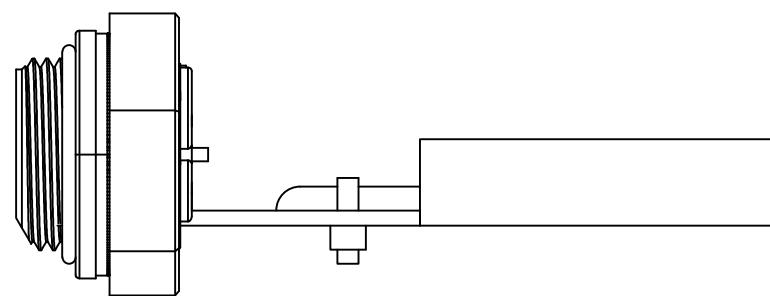
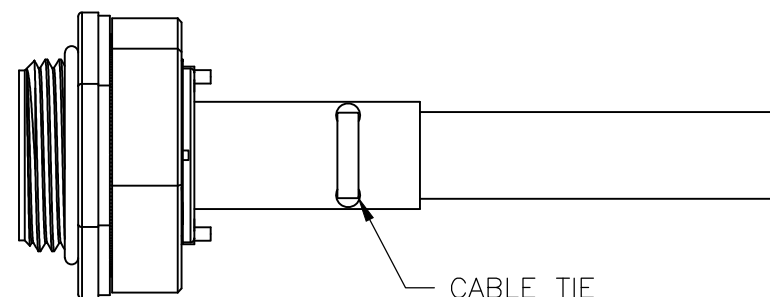
ALL RIGHTS RESERVED.

REVISIONS

P	LTR	DESCRIPTION	DATE	DWN	APVD
	C2	OBSOLETE P/Ns 1-1546410-2 & 1-1546410-3	21FEB2018	SH	GN



OBSOLETE	36"	STANDARD	1-1546410-3
OBSOLETE	12"	WITH CABLE TIE	1-1546410-2
	12"	STANDARD	1-1546410-1
SUPERSEDED	12"	WITH CABLE TIE	1546410-2
SUPERSEDED	12"	STANDARD	1546410-1
	"L"	DESCRIPTION	PART NO.



-2 ONLY

THIS DRAWING IS A CONTROLLED DOCUMENT.

DIMENSIONS: INCHES	TOLERANCES UNLESS OTHERWISE SPECIFIED:
0 PLC	± -
1 PLC	± -
2 PLC	± .02
3 PLC	± .005
4 PLC	± -
ANGLES	± 2'
MATERIAL	FINISH
-	-

DWN	S SCHLEGEL	09OCT2002
CHK	H WAKEEM	10/9/02
APVD	H WAKEEM	10/9/02
PRODUCT SPEC	-	-
APPLICATION SPEC	-	-
WEIGHT	-	-
CUSTOMER DRAWING		

STE TE Connectivity			
RECEPTACLE WITH PCB & 12 IN. OF CABLE (10 BASE-T)			
NAME	SIZE	CAGE CODE	DRAWING NO
	A3	00779	C-1546410
RESTRICTED TO	SCALE	SHEET	REV
-	NTS	1 OF 1	C2