

REVISIONS

P	LTR	DESCRIPTION	DATE	DWN	APVD
-	-	SEE SHEET 1	-	-	-

PHYSICAL PROPERTIES:
 HOUSING MATERIAL: THERMOPLASTIC, PC
 FLAMMABILITY: UL94V-0 COLOR: BLACK
 MAX BOW/WARP: .0056 IN/IN.

TERMINAL:
 TERMINALS: BRASS, TIN PLATED
 SCREWS: 6-32, STEEL, NICKEL PLATED

MECHANICAL:
 PITCH (TERMINAL SPACING): 9.50mm(.374")
 WIRE RANGE: 12-22 AWG
 RECOMMENDED TIGHTENING TORQUE: 12IN-LBS MAX.

ELECTRICAL PROPERTIES:
 MAXIMUM CURRENT: 20A
 OPERATING VOLTAGE: 300V

ENVIRONMENTAL PROPERTIES:
 OPERATING TEMP RANGE: -40°C TO +120°C.


- 1 SEE FIGURE IN SHEET 3 AND 4
- 2 MARKED WITH WHITE INK.
- 3 PRELIMINARY PART NUMBER.
- 4 SCREWS AND TERMINALS ARE NICKEL PLATED BRASS.
- 5 STAINLESS STEEL SCREWS.
- 6 SCREWS ARE NICKEL PLATED BRASS.
- 7 WIRE CLAMP SCREWS TO BE USED ONLY ON SIDE OPPOSITE QC TABS.
- 8 TE CONNECTIVITY LOGO LOCATED APPROXIMATE AREA SHOWN.

-- SELECT LOAD CHART --

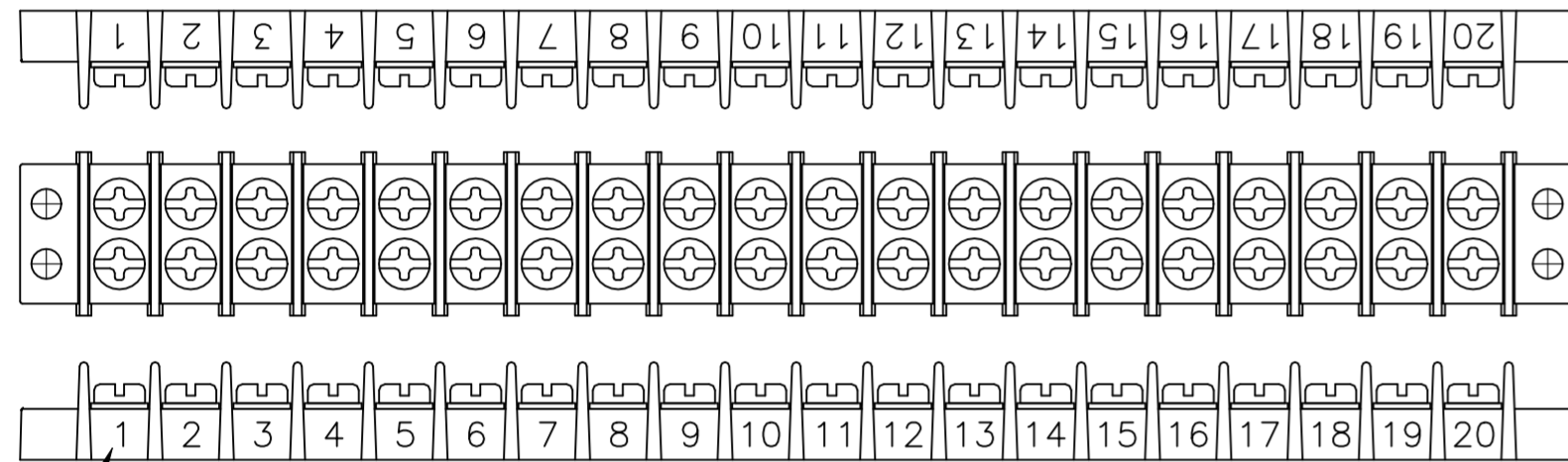
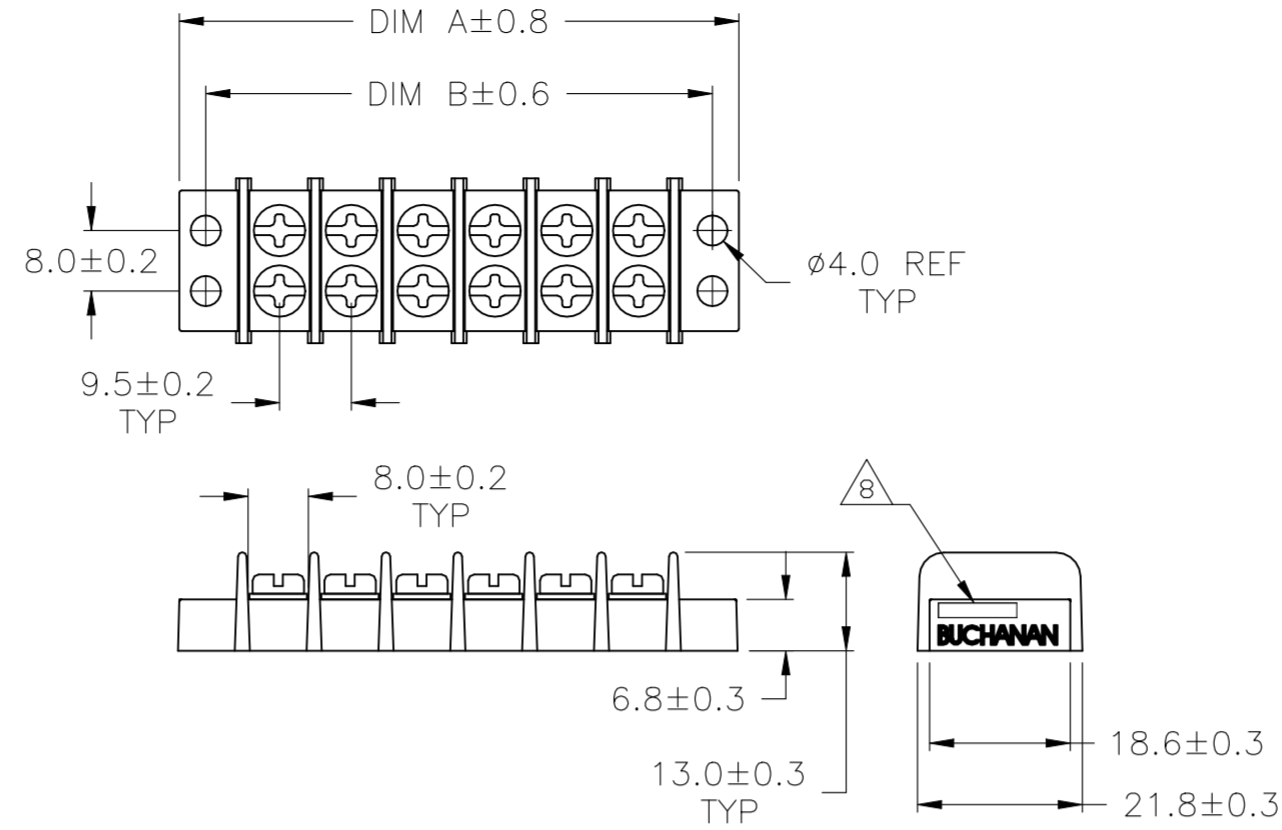
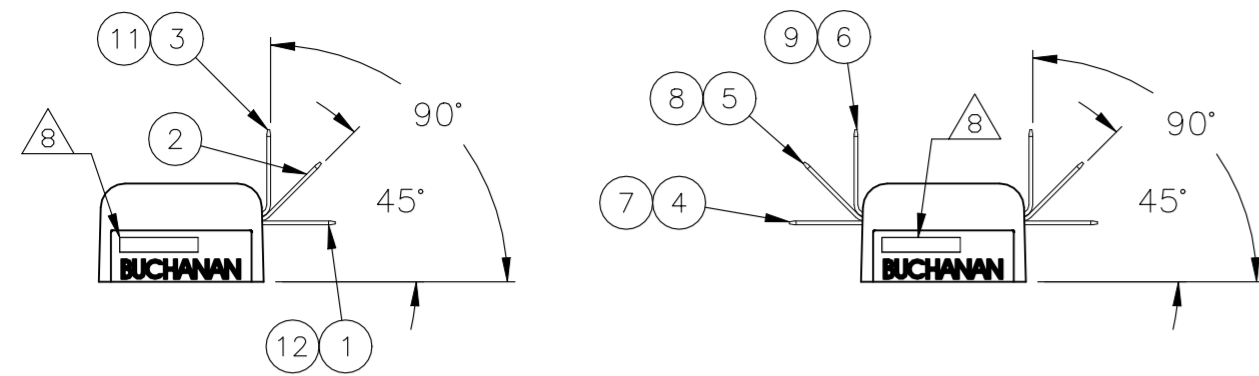
1-2,3-4	-	-	-	-	-	ALL	-	-	-	-	-	-	-	9	6-1546306-5
1-2	-	-	-	-	-	ALL	-	-	-	-	-	-	-	9	6-1546306-4
-	-	-	4-5,5-6	-	-	-	-	ALL	-	-	-	-	-	11	3-1546306-4
-	-	-	-	-	-	-	ALL	1-3	-	-	-	-	-	10	6-1546306-0
-	-	-	1,2	-	-	ALL	-	-	-	-	-	-	-	7	5-1546306-0
-	-	-	-	-	1	ALL	-	-	-	-	-	-	-	6	4-1546306-9
14 JUMPER 2	12 QC TAB .187 SS FLAT	11 QC TAB .187 SS 90°	10 JUMPER 1	9 QC TAB DBL SIDE 90° .250	8 QC TAB DBL SIDE 45° .250	7 QC TAB DBL SIDE FLAT .250	6 QC TAB DBL SIDE 90° .187	5 QC TAB DBL SIDE 45° .187	4 QC TAB DBL SIDE FLAT .187	3 QC TAB SGL SIDE 90° .250	2 QC TAB SGL SIDE 45° .250	1 QC TAB SGL SIDE FLAT .250	NO. OF POS.	PART NUMBER	

POSITIONS LOADED

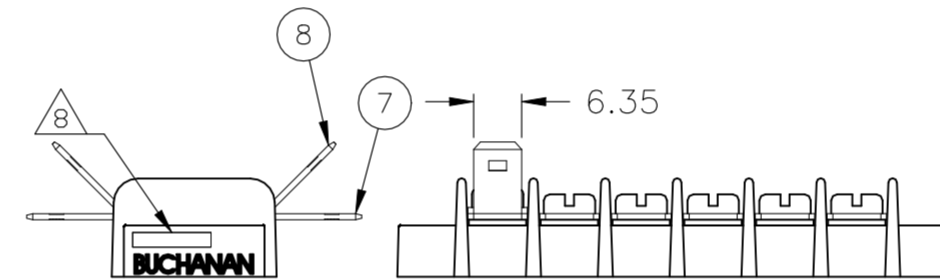
	2	-	-	-	-	-	-	9	-	-	-	-	-	-	95.2	102.7	9	6-1546306-5
	1	-	-	-	-	-	-	9	-	-	-	-	-	-	95.2	102.7	9	6-1546306-4
	-	-	-	-	-	-	-	-	-	-	-	-	-	294.7	302.2	30	3-1546306-0	
	-	-	-	-	-	-	-	-	-	-	-	-	-	285.2	292.7	29	2-1546306-9	
	-	-	-	-	-	-	-	-	-	-	-	-	-	275.7	283.2	28	2-1546306-8	
	-	-	-	-	-	-	-	-	-	-	-	-	-	266.2	273.7	27	2-1546306-7	
	-	-	-	-	-	-	-	-	-	-	-	-	-	256.7	264.2	26	2-1546306-6	
	-	-	-	-	-	-	-	-	-	-	-	-	-	247.2	254.7	25	2-1546306-5	
	-	-	-	-	-	-	-	-	-	-	-	-	-	237.7	245.2	24	2-1546306-4	
	-	-	-	-	-	-	-	-	-	-	-	-	-	228.2	235.7	23	2-1546306-3	
	-	-	-	-	-	-	-	-	-	-	-	-	-	218.7	226.2	22	2-1546306-2	
	-	-	-	-	-	-	-	-	-	-	-	-	-	209.2	216.7	21	2-1546306-1	
△△ SPL MARKING	-	-	-	-	-	-	-	-	-	-	-	-	-	199.7	207.2	20	3-1546306-2	
	-	-	-	-	-	-	-	-	-	-	-	-	-	199.7	207.2	20	2-1546306-0	
	-	-	-	-	-	-	-	-	-	-	-	-	-	190.2	197.7	19	1-1546306-9	
NOTES	14 JUMPER 2	13 QC TAB .187 SS FLAT	12 QC TAB .187 SS FLAT	11 QC TAB .187 SS 90°	10 JUMPER 1	9 QC TAB DBL SIDE 90° .250	8 QC TAB DBL SIDE 45° .250	7 QC TAB DBL SIDE FLAT .250	6 QC TAB DBL SIDE 90° .187	5 QC TAB DBL SIDE 45° .187	4 QC TAB DBL SIDE FLAT .187	3 QC TAB SGL SIDE 90° .250	2 QC TAB SGL SIDE 45° .250	1 QC TAB SGL SIDE FLAT .250	DIM B	DIM A	NO. OF POS.	PART NO.

THIS DRAWING IS A CONTROLLED DOCUMENT.		DWN S SCHLEGEL 20AUG2002	 TE Connectivity Ltd.	
DIMENSIONS: MM		CHK C RICHARD 8/20/02		
TOLERANCES UNLESS OTHERWISE SPECIFIED:		APVD C RICHARD 8/20/02	NAME 9.50MM (.374) DBL ROW BARRIER STRIP W/O WASHER	
0 PLC ± - 1 PLC ± 0.3 2 PLC ± 0.25 3 PLC ± - 4 PLC ± - ANGLES ± 2°		PRODUCT SPEC -	SIZE A2	
MATERIAL		APPLICATION SPEC -	CAGE CODE 00779	DRAWING NO C=1546306
FINISH		WEIGHT -	SCALE NTS	SHEET 2 of 4
CUSTOMER DRAWING			REV H4	RESTRICTED TO -

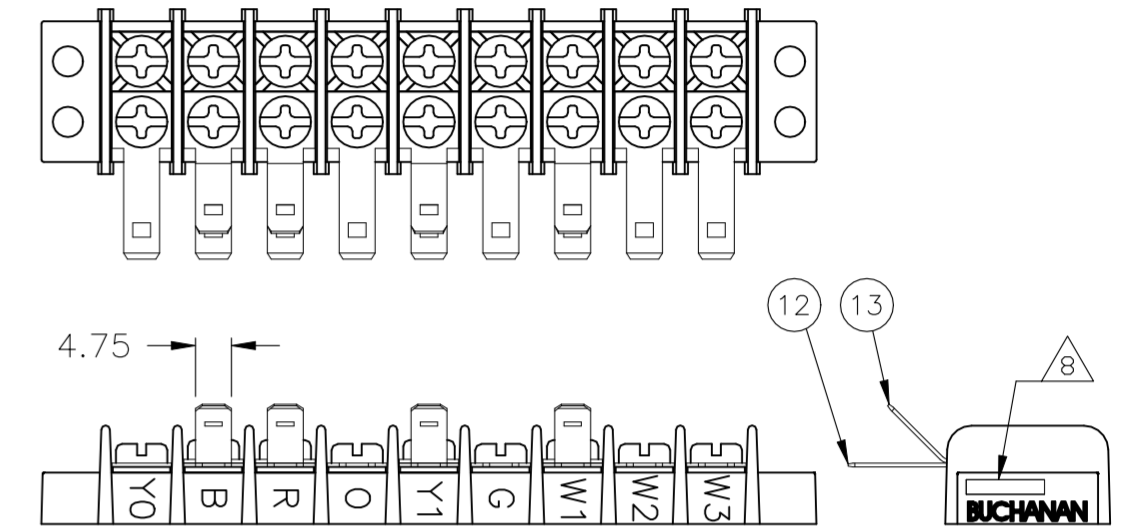
P	LTR	DESCRIPTION	DATE	DWN	APVD
-	-	SEE SHEET 1	-	-	-



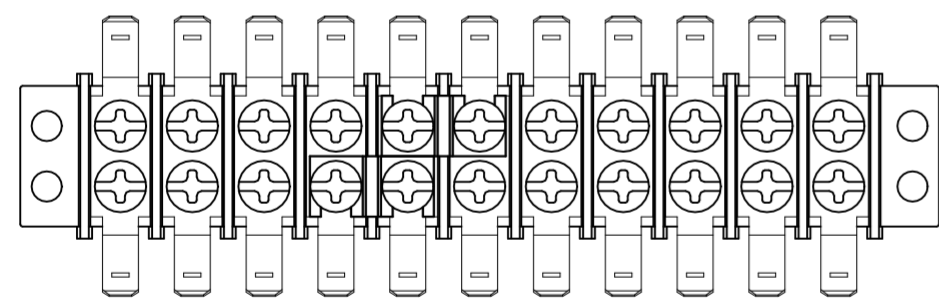
3-1546306-2



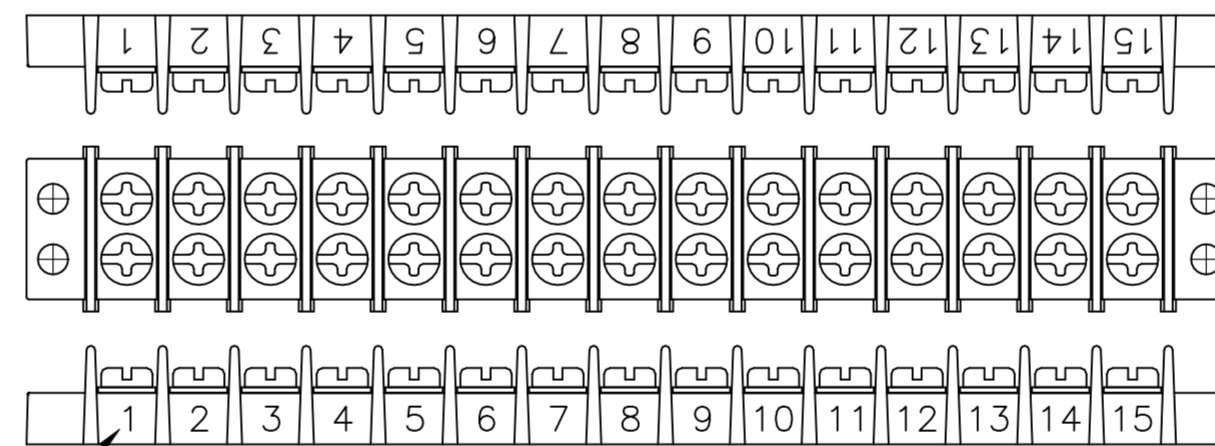
4-1546306-9



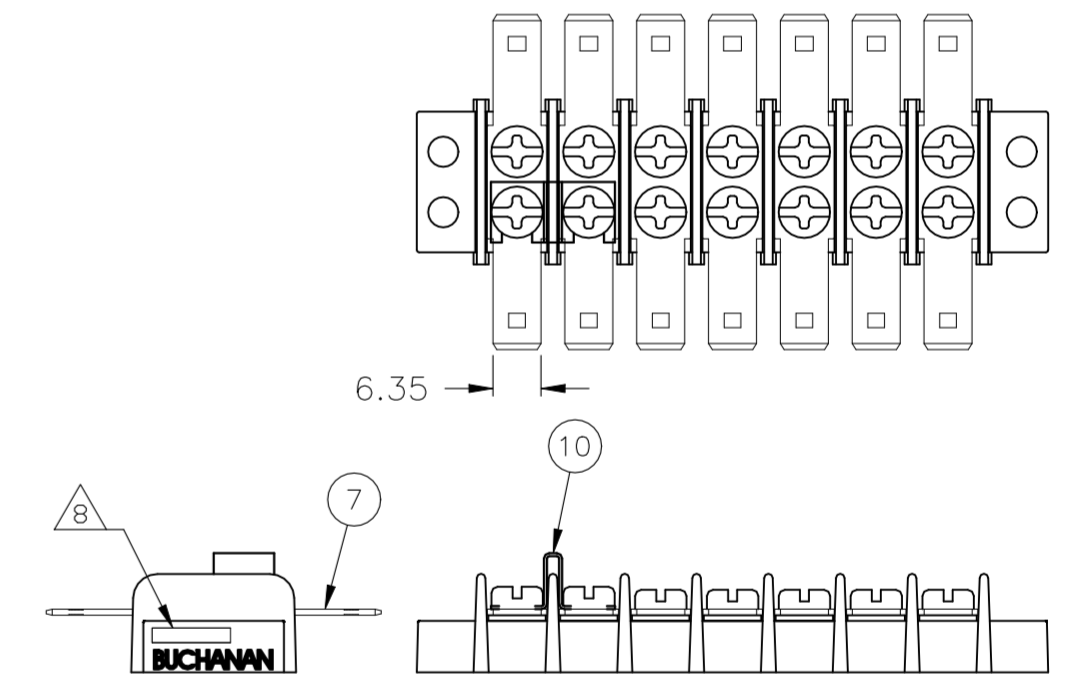
6-1546306-3



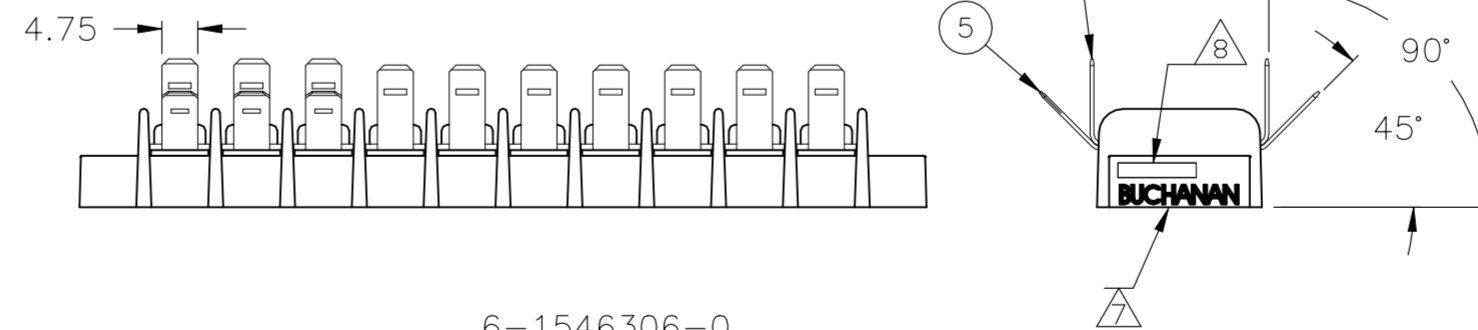
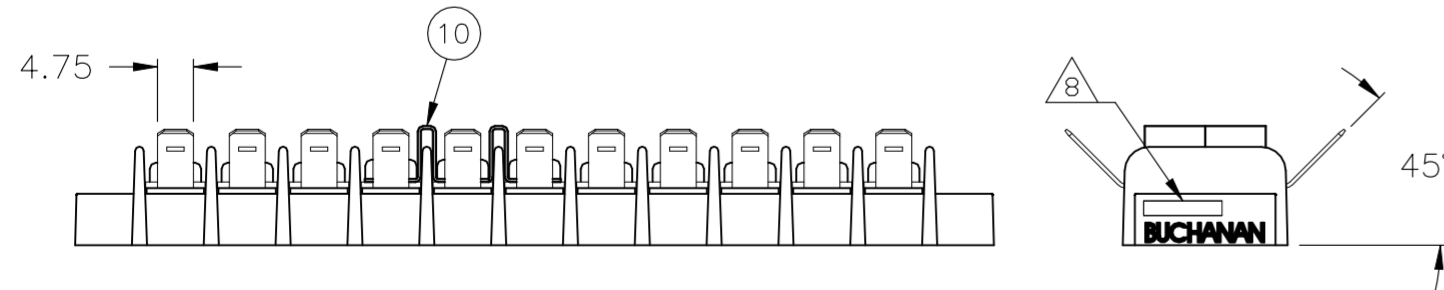
3-1546306-4



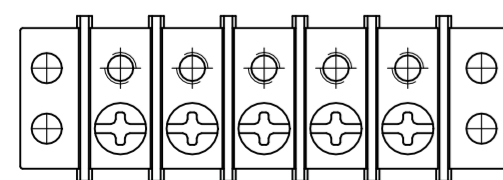
6-1546306-2



5-1546306-0



6-1546306-0

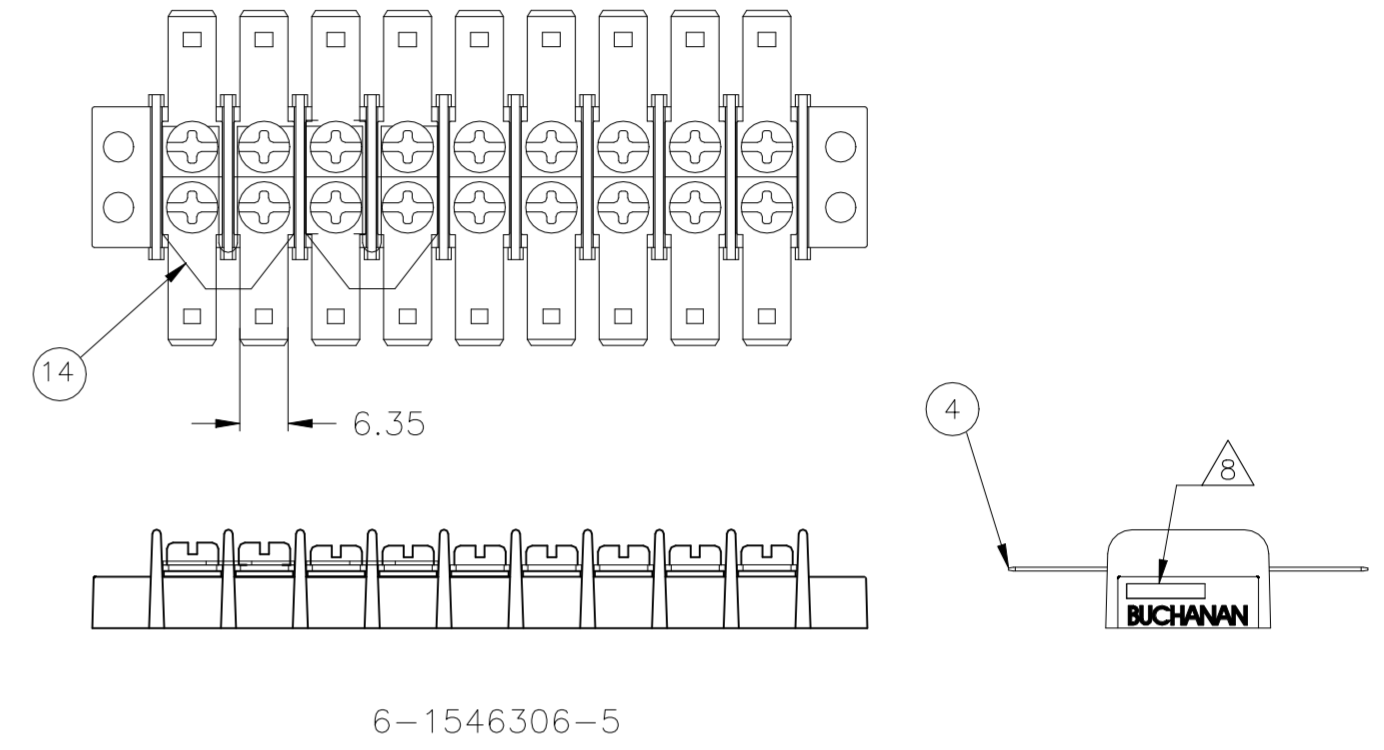
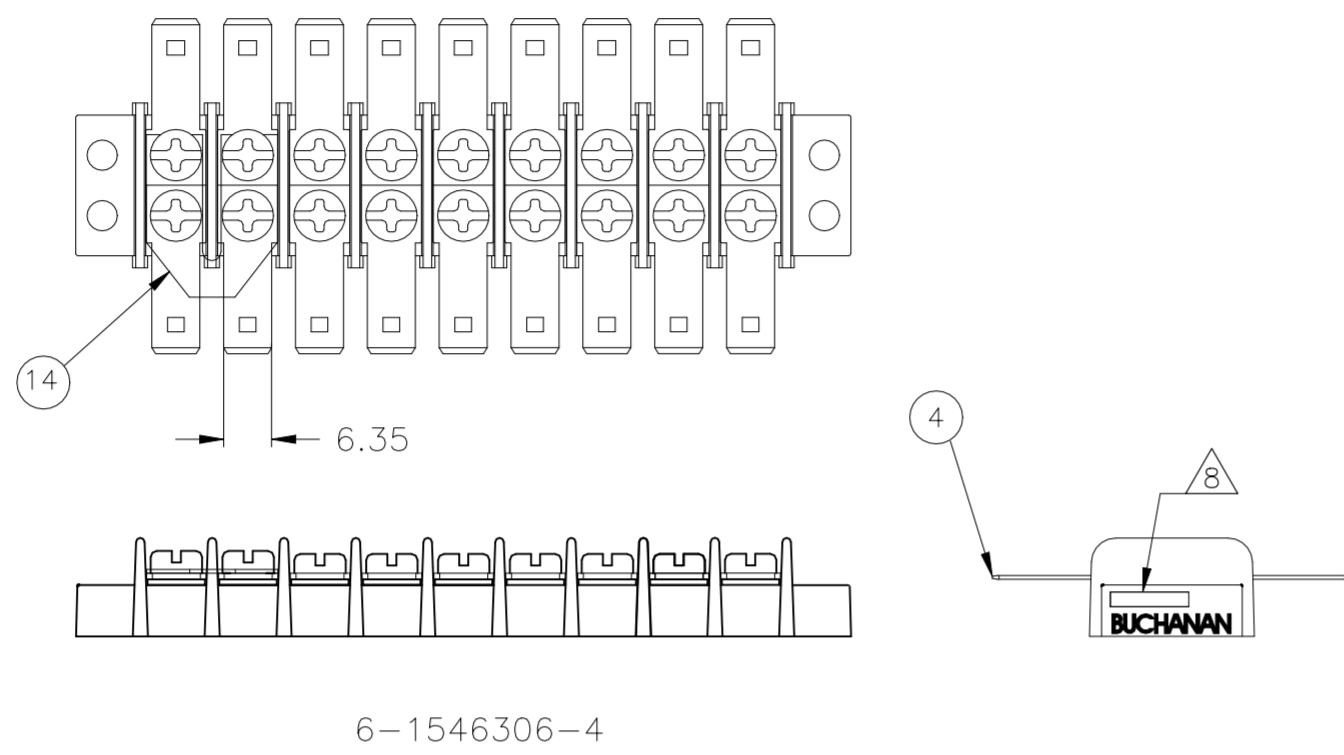


4-1546306-7

THIS DRAWING IS A CONTROLLED DOCUMENT.		DWN S SCHLEGEL 20AUG2002	TE Connectivity Ltd.	
DIMENSIONS: MM		CHK C RICHARD 8/20/02		
TOLERANCES UNLESS OTHERWISE SPECIFIED:		APVD C RICHARD 8/20/02	NAME 9.50MM (.374) DBL ROW BARRIER STRIP W/O WASHER	
0 PLC ± -		PRODUCT SPEC	SIZE A2	CAGE CODE 00779
1 PLC ± 0.3		APPLICATION SPEC	DRAWING NO C=1546306	RESTRICTED TO
2 PLC ± 0.25			SCALE NTS	SHEET 3 OF 4
3 PLC ± -			REV H4	
4 PLC ± -				
ANGLES ± 2°				
FINISH				
MATERIAL		WEIGHT		
		CUSTOMER DRAWING		

REVISIONS

P	LTR	DESCRIPTION	DATE	DWN	APVD
-	-	SEE SHEET 1	-	-	-



THIS DRAWING IS A CONTROLLED DOCUMENT.		DWN S SCHLEGEL 20AUG2002	TE TE Connectivity Ltd.		
DIMENSIONS: MM		CHK C RICHARD 8/20/02			
TOLERANCES UNLESS OTHERWISE SPECIFIED:		APVD C RICHARD 8/20/02	NAME 9.50MM (.374) DBL ROW BARRIER STRIP W/O WASHER		
0 PLC ± - 1 PLC ± 0.3 2 PLC ± 0.25 3 PLC ± - 4 PLC ± - ANGLES ± 2°		PRODUCT SPEC -	SIZE A2	CAGE CODE 00779	DRAWING NO C=1546306
MATERIAL -		FINISH -	WEIGHT -	SCALE NTS	SHEET 4 OF 4
CUSTOMER DRAWING			RESTRICTED TO -	REV H4	