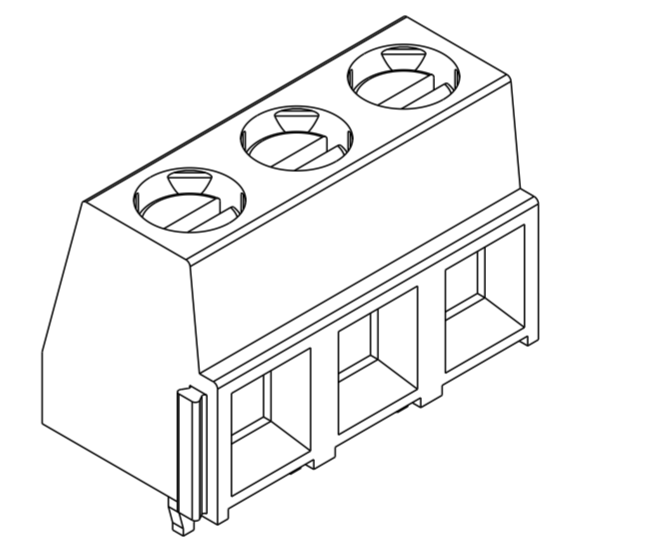
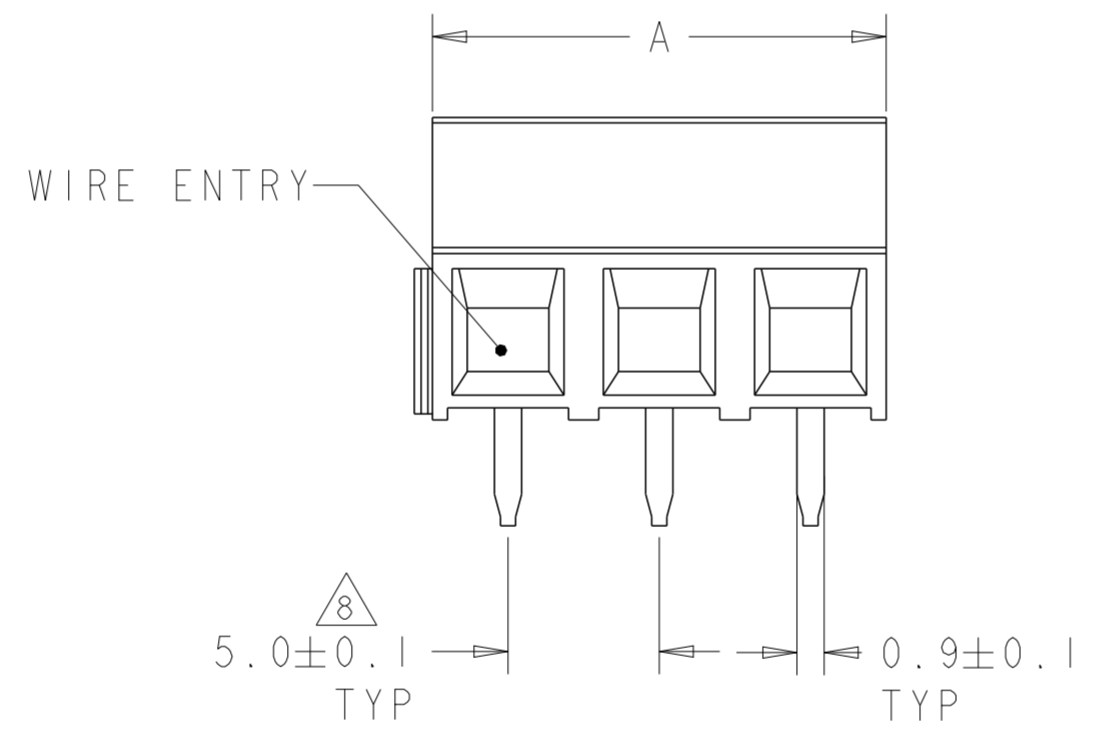
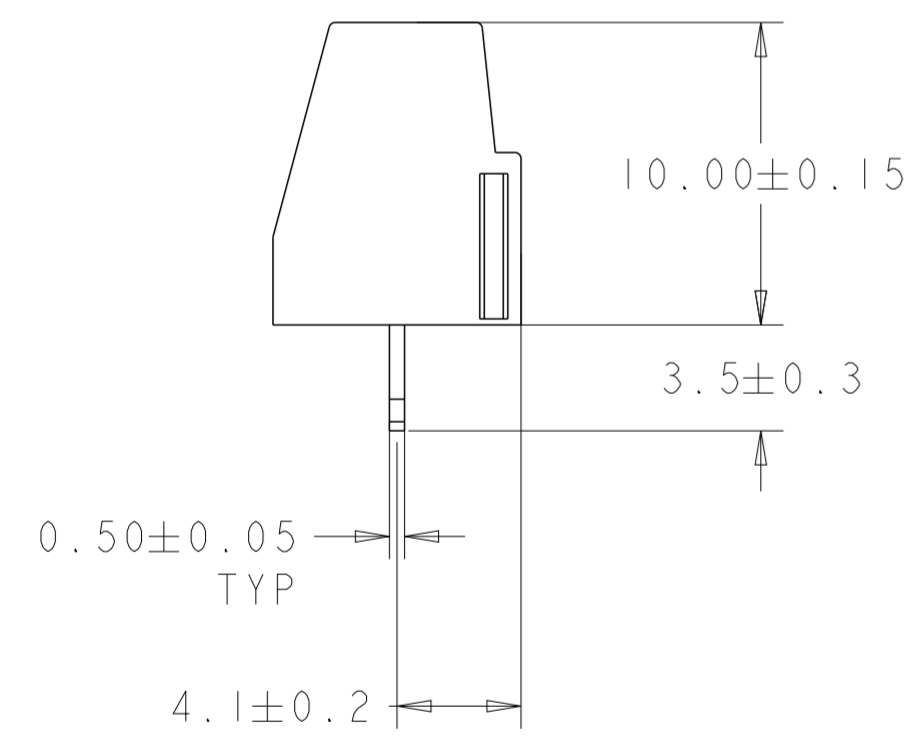
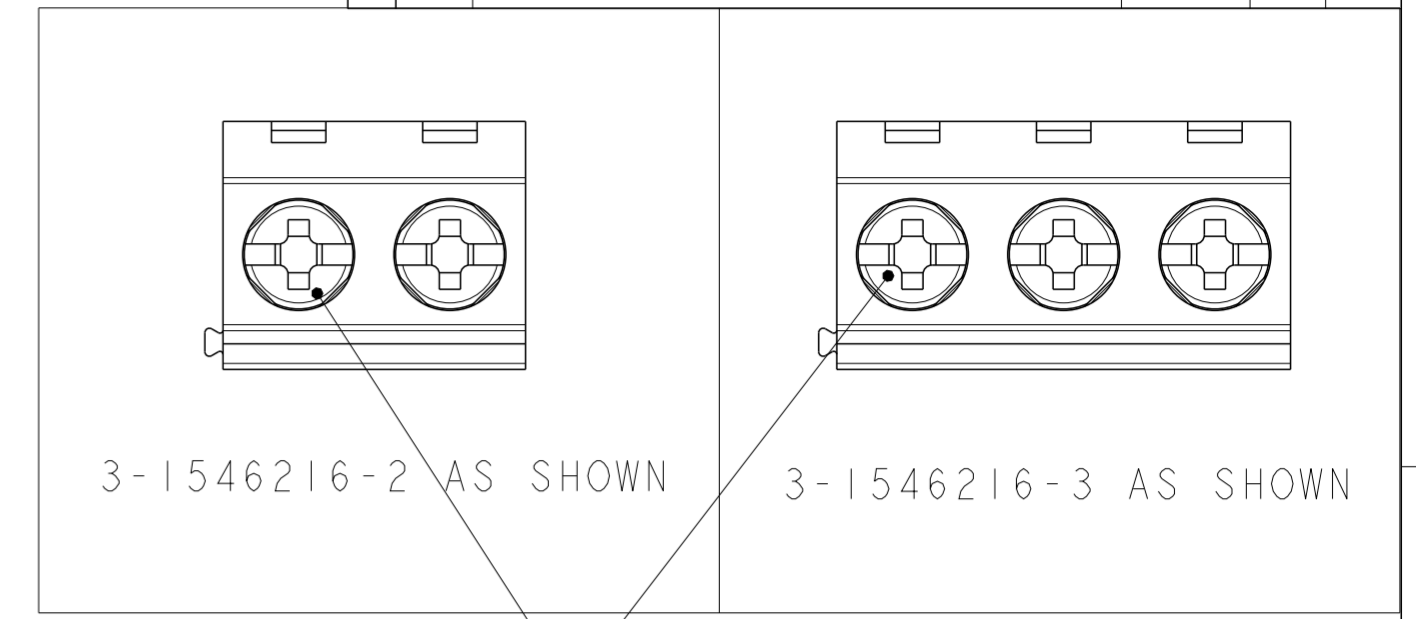
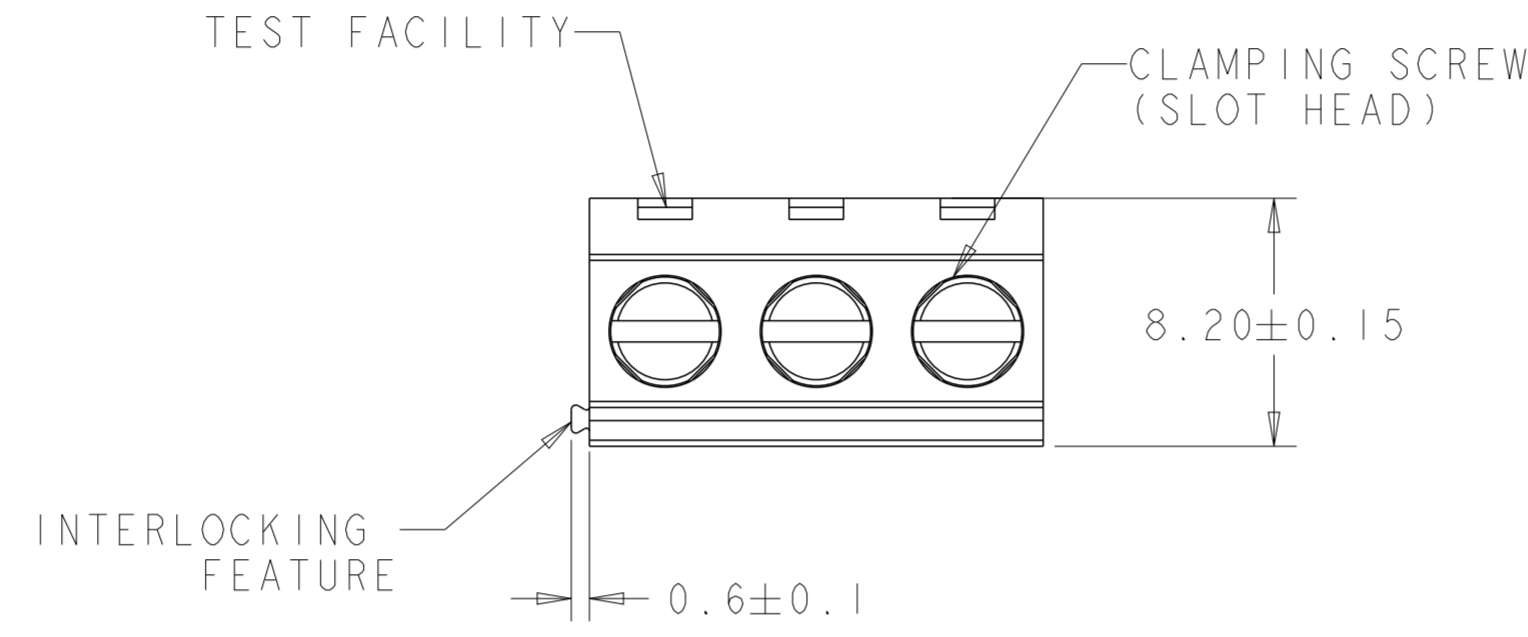
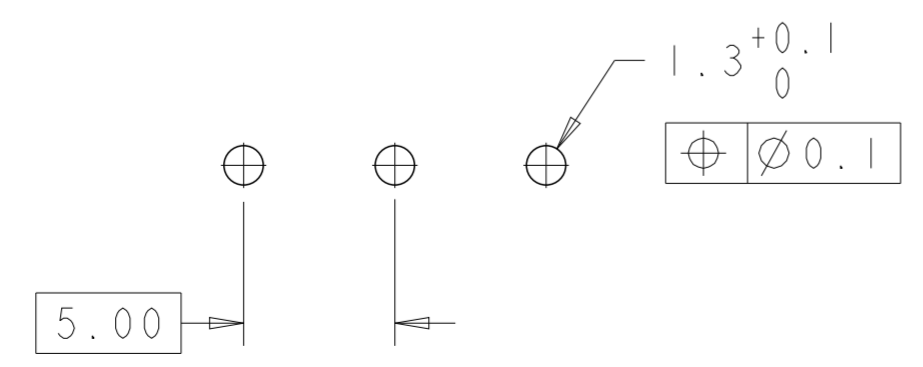


THIS DRAWING IS UNPUBLISHED. RELEASED FOR PUBLICATION 20
 © COPYRIGHT 20 BY - ALL RIGHTS RESERVED.

REVISIONS					
P	LTR	DESCRIPTION	DATE	DWN	APVD
B1		PARTS 3-2 AND 3-3 ARE ADDED	18APR2018	RK	PS
B2		PARTS 5-2,5-3 AND 5-6 ADDED	23FEB2024	KGN	PS



10	9	30.0	6	5-1546216-6
10	9	15.0	3	5-1546216-3
10	9	10.0	2	5-1546216-2
9	9	15.0	3	3-1546216-3
9	9	10.0	2	3-1546216-2
OBSOLETE				
		125.0	25	2-1546216-5
		120.0	24	2-1546216-4
		115.0	23	2-1546216-3
		110.0	22	2-1546216-2
		105.0	21	2-1546216-1
		100.0	20	2-1546216-0
		95.0	19	1-1546216-9
		90.0	18	1-1546216-8
		85.0	17	1-1546216-7
		80.0	16	1-1546216-6
		75.0	15	1-1546216-5
		70.0	14	1-1546216-4
OBSOLETE				
		65.0	13	1-1546216-3
		60.0	12	1-1546216-2
		55.0	11	1-1546216-1
		50.0	10	1-1546216-0
		45.0	9	1546216-9
		40.0	8	1546216-8
		35.0	7	1546216-7
OBSOLETE				
		30.0	6	1546216-6
		25.0	5	1546216-5
		20.0	4	1546216-4
		15.0	3	1546216-3
		10.0	2	1546216-2
		A	NO OF POSN	PART NUMBER



RECOMMENDED PC BOARD LAYOUT

THIS DRAWING IS A CONTROLLED DOCUMENT.

DIMENSIONS:	TOLERANCES UNLESS OTHERWISE SPECIFIED:	DWN	S. WELDON	27FEB2004
mm	0 PLC ±	CHK	C. RICHARD	27FEB2004
	1 PLC ±0.3	APVD	C. RICHARD	27FEB2004
	2 PLC ±0.25	PRODUCT SPEC		108-20166
	3 PLC ±	APPLICATION SPEC		114-20079
	4 PLC ±	WEIGHT		-
	ANGLES ±2°	CUSTOMER DRAWING		
	FINISH	SCALE	4:1	SHEET 1 OF 2

STE TE Connectivity

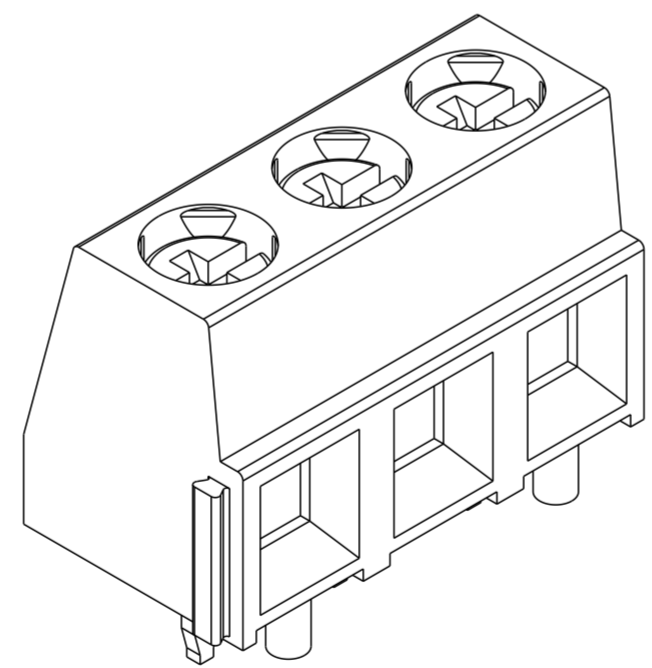
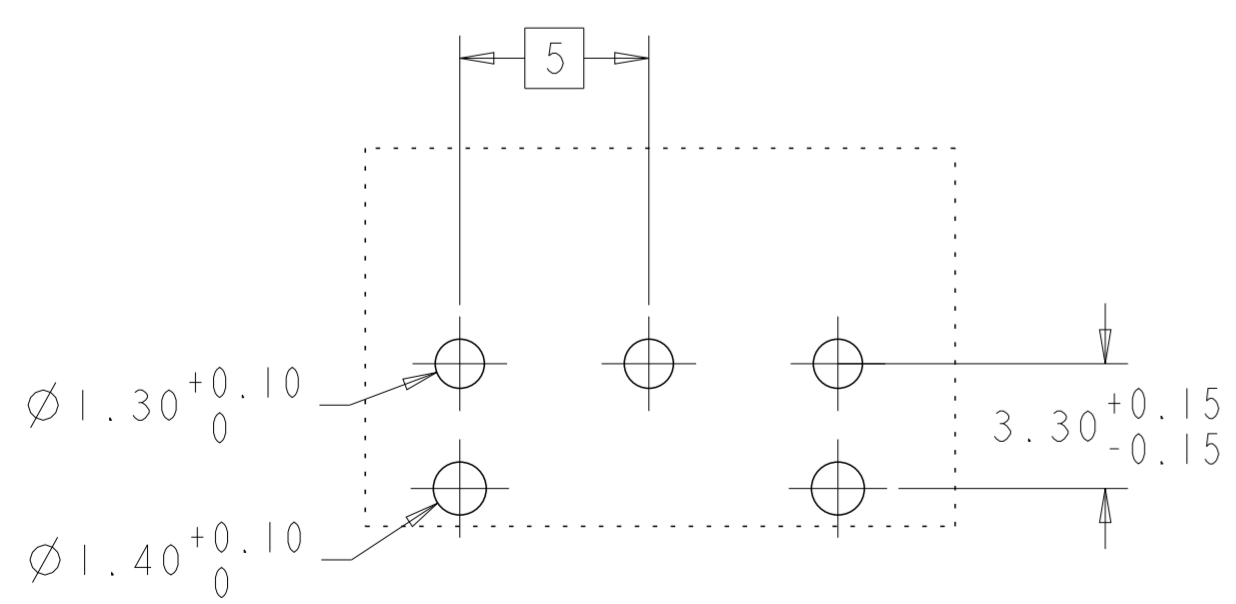
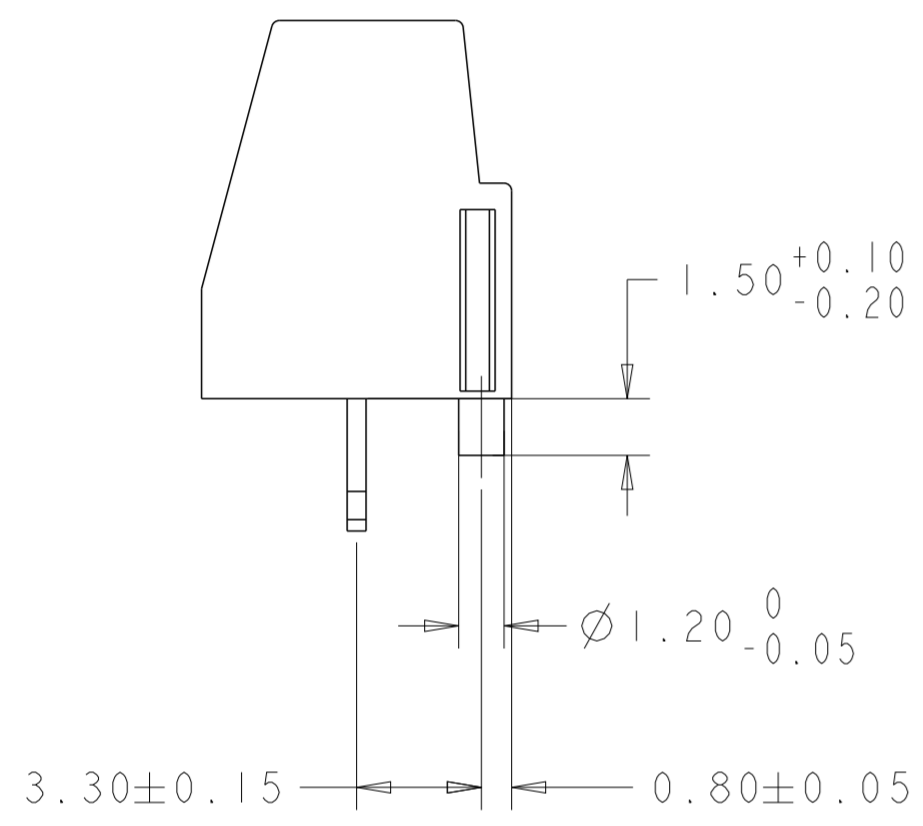
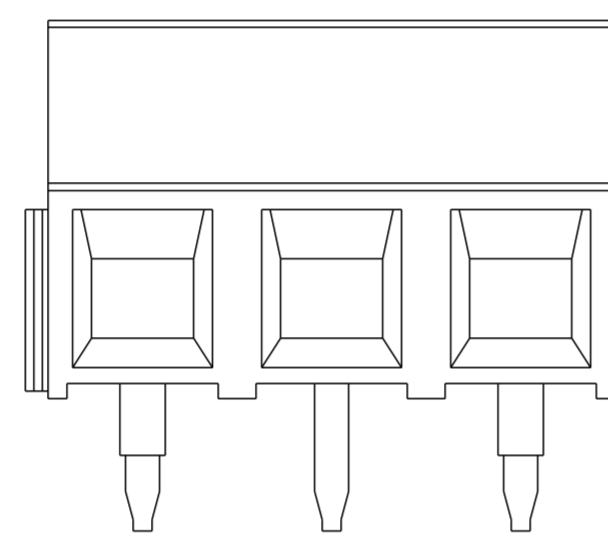
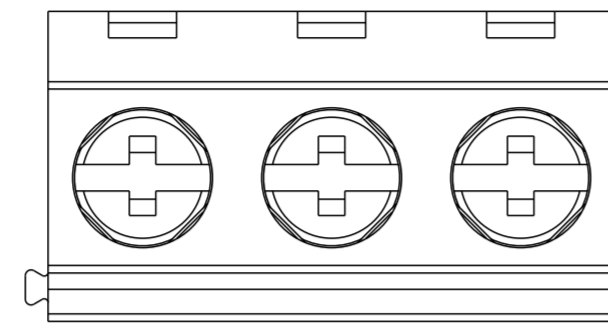
NAME: TB, PCB MOUNT, SIDE WIRE ENTRY, STACK W/INTERLOCK, 5.00mm PITCH

SIZE: A2 CAGE CODE: 00779 DRAWING NO: C-1546216 RESTRICTED TO: -

REV: B2

THIS DRAWING IS UNPUBLISHED. RELEASED FOR PUBLICATION 20
 © COPYRIGHT 20 BY - ALL RIGHTS RESERVED.

REVISIONS				
P	LTR	DESCRIPTION	DATE	APVD
-	-	SEE SHEET 1	-	-



5-1546216-3 PN AS SHOWN

NOTES:

- 1. MATERIALS AND FINISH
 HOUSING: PA 6-6, UL 94-V0, COLOR GRAY.
 CLAMP: BRASS, NICKEL PLATED.
 TERMINAL: BRASS, TIN PLATED.
 CLAMPING SCREW: M3, BRASS, NICKEL PLATED.
- 2. MECHANICAL
 WIRE STRIPPING LENGTH : 5.0-6.0 mm
 MIN. PC BOARD HOLES DIAMETER : 1.1 mm
 MAX. PC BOARD THICKNESS : 2.4 mm
 RECOMMENDED TIGHTENING TORQUE FOR SCREW: 0.5 Nm.
- 3. ELECTRICAL
 WIRE SIZE RANGE : 16-30 AWG.
 MAX. VOLTAGE : 300 V
 MAX CURRENT : 13.5 A
 CONTACT RESISTANCE : <15 m Ohm
 INSULATION RESISTANCE : > 1000 M Ohm (500V DC)
- 4. OPERATING TEMPERATURE RANGE: -40°C TO +110°C
- 5. END-TO-END STACKABLE W/INTERLOCK WITHOUT LOSS OF CENTERLINE SPACING.
- 6. RECOGNIZED UNDER THE COMPONENT PROGRAM OF UNDERWRITERS LABORATORIES INC., FILE NO E60677.
- 7. PACKED IN TRAY.
- 8. NOT CUMULATIVE TOLERANCE.
- 9. PHIL-SLOT HEAD SCREW: M3, BRASS, NICKEL PLATED.
- 10. WITH PEGS

RECOMMENDED PC BOARD LAYOUT

THIS DRAWING IS A CONTROLLED DOCUMENT.		DWN S. WELDON 27FEB2004	TE Connectivity	
DIMENSIONS: mm		CHK C. RICHARD 27FEB2004		
TOLERANCES UNLESS OTHERWISE SPECIFIED:		APVD C. RICHARD 27FEB2004	NAME TB, PCB MOUNT, SIDE WIRE ENTRY, STACK W/INTERLOCK, 5.00mm PITCH	
0 PLC ±-		PRODUCT SPEC 108-20166	SIZE CAGE CODE DRAWING NO RESTRICTED TO	
1 PLC ±0.3		APPLICATION SPEC 114-20079	A200779 C-1546216	
2 PLC ±0.25		WEIGHT -	SCALE 4:1 SHEET 2 OF 2 REV B2	
3 PLC ±-		CUSTOMER DRAWING		
4 PLC ±-				
ANGLES ±2°				
FINISH				