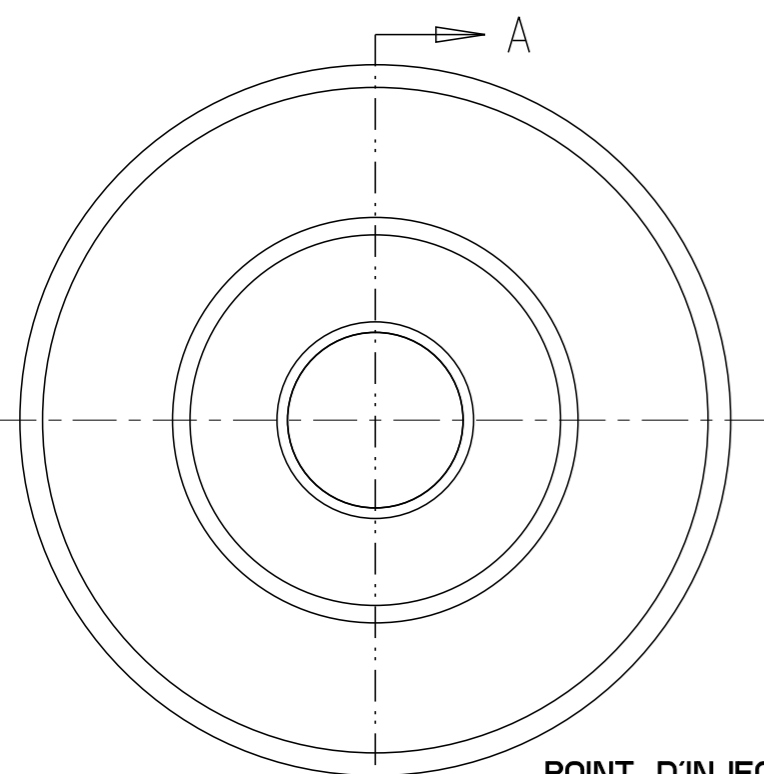


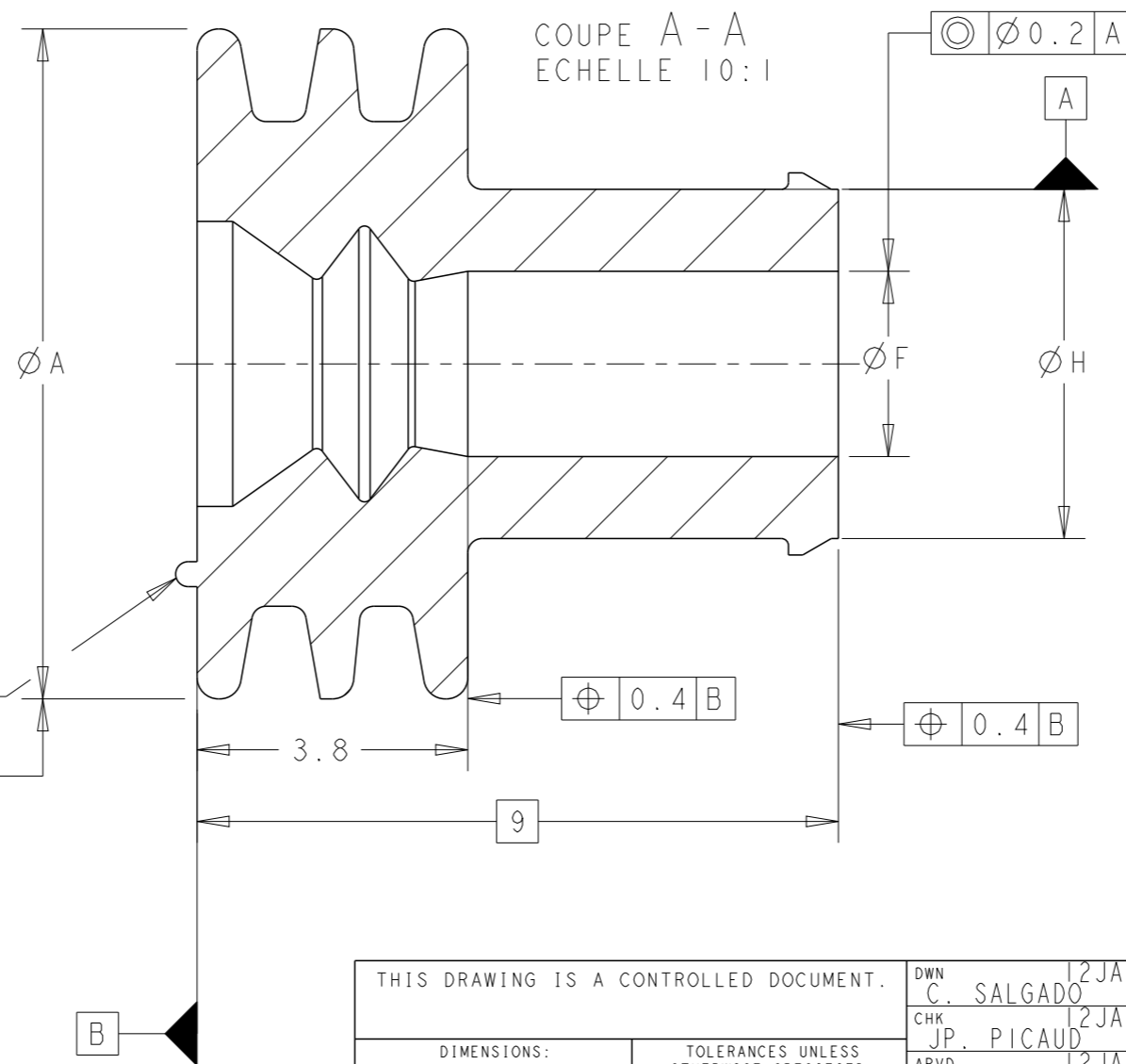
REVISIONS

P	LTR	DESCRIPTION	DATE	DWN	APVD
	A	INITIAL RELEASE	13JAN2015	CS	JPP

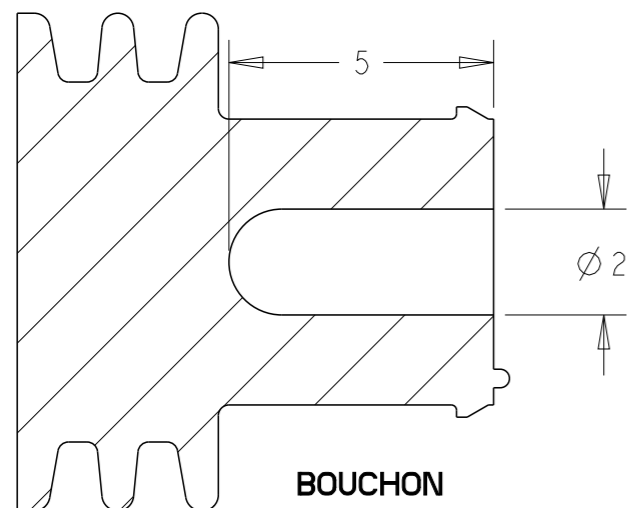
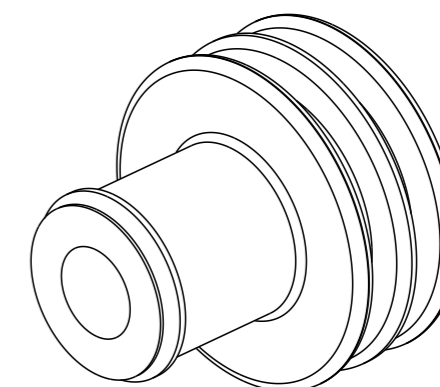
REFERENCE TE TE PART NUMBER	DESCRIPTION DESCRIPTION	DIAMETRE ISOLANT INSULATOR Ø	ØA	ØF	ØH	MATIERE MATERIAL	COULEUR COLOR	MASSE WEIGHT
1544941-1	JOINT UNIFILAIRE FILS DE 2.5 A 4 mm ²	2.65 A 3.9 mm	9.40	2.60	4.90	SILICONE MVQ 50 (AUTOLUBRIFIE)	JAUNE	0.26 g
1544941-2	JOINT UNIFILAIRE FILS DE 5 A 6 mm ²	3.8 A 4.5 mm	9.40	3.40	5.70	SILICONE MVQ 50 (AUTOLUBRIFIE)	ROUGE	0.28 g
1544941-3	BOUCHON	-	9.40	-	4.90	SILICONE MVQ 50	BLANC	0.5 g




COUPE A-A



COUPE A-A
ECHELLE 10:1



BOUCHON

THIS DRAWING IS A CONTROLLED DOCUMENT.		DWN C. SALGADO	12JAN2015	 TE Connectivity	NAME JOINT UNIFILAIRE 2.8 NGPI SINGLE WIRE SEAL 2.8 NGPI RANGE 2.5 TO 6 SQMM
DIMENSIONS: mm		CHK JP. PICAUD	12JAN2015		
TOLERANCES UNLESS OTHERWISE SPECIFIED:		APVD J. DAHER	12JAN2015		
0 PLC ± 0.15 1 PLC ± 0.15 2 PLC ± 0.15 3 PLC ± 0.15 4 PLC ± 0.15 ANGLES ±		PRODUCT SPEC		SIZE	
MATERIAL SEE TABLE		APPLICATION SPEC 114-15098		CAGE CODE A300779	
FINISH		WEIGHT		DRAWING NO C=1544941	
-		-		RESTRICTED TO	
-		Customer Drawing		SCALE 7:1 SHEET 1 OF 1 REV A	