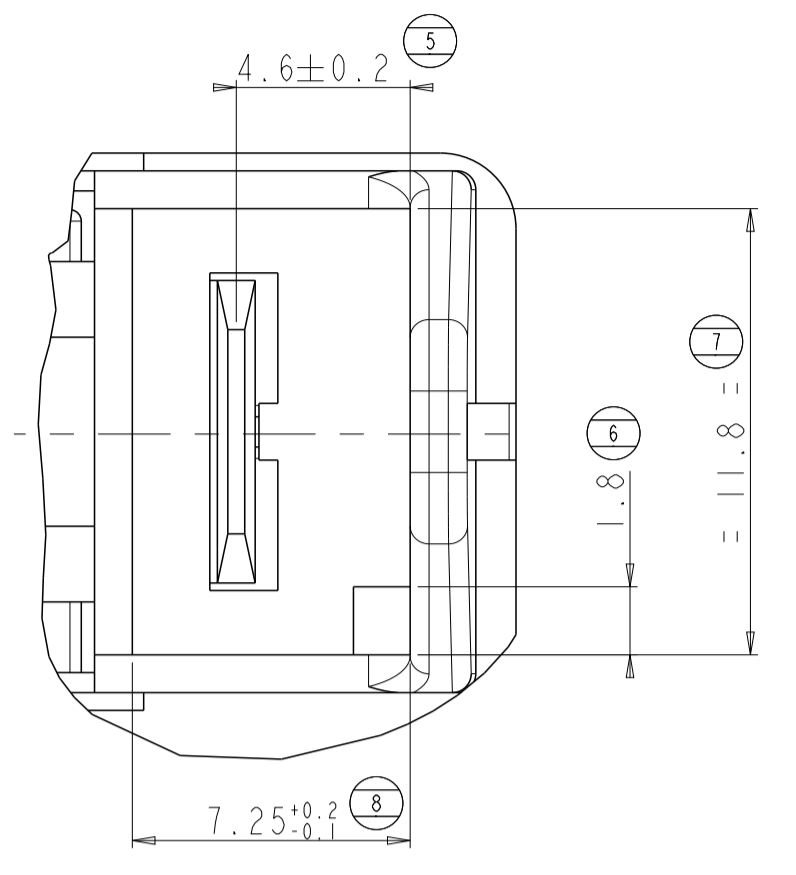
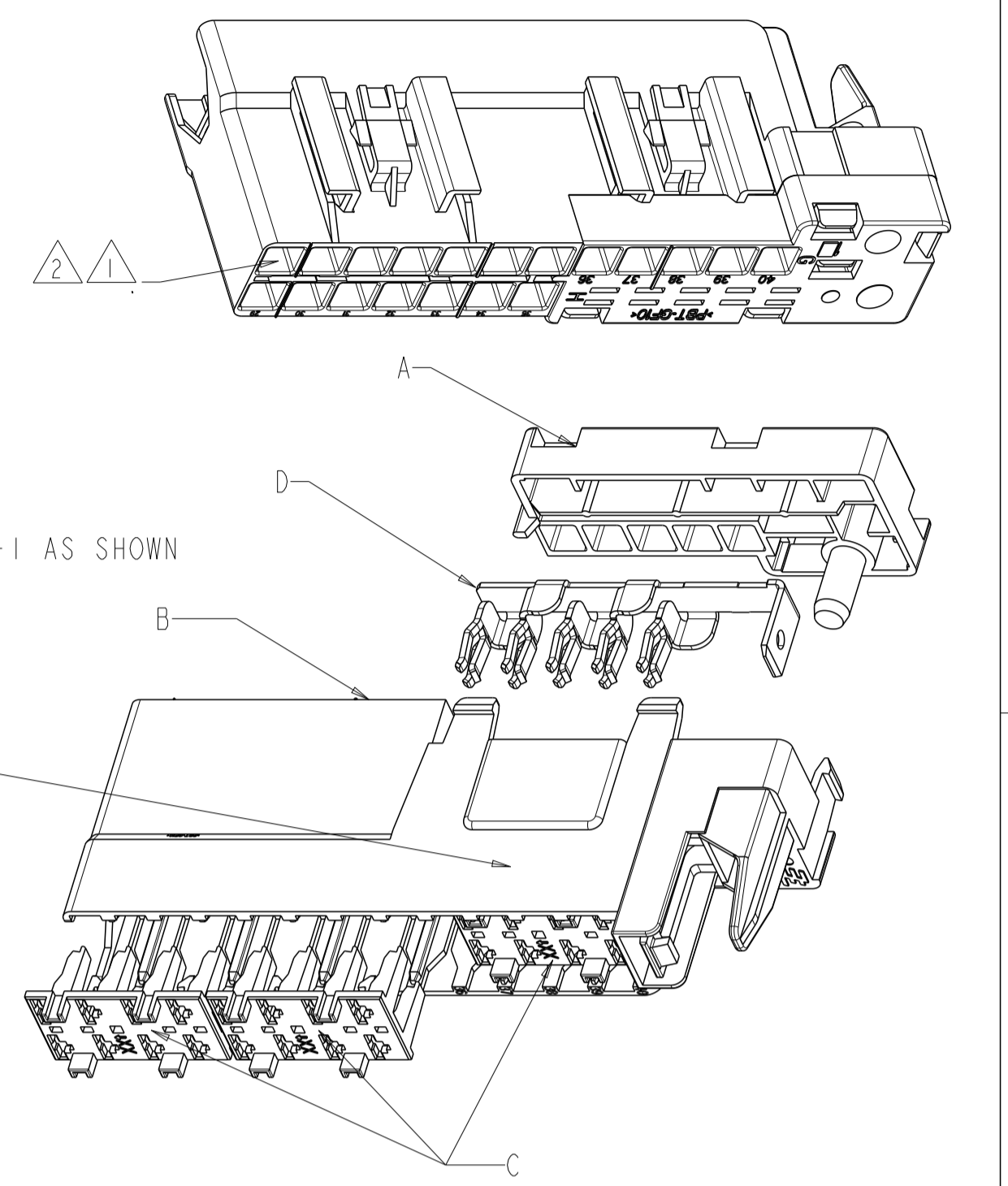
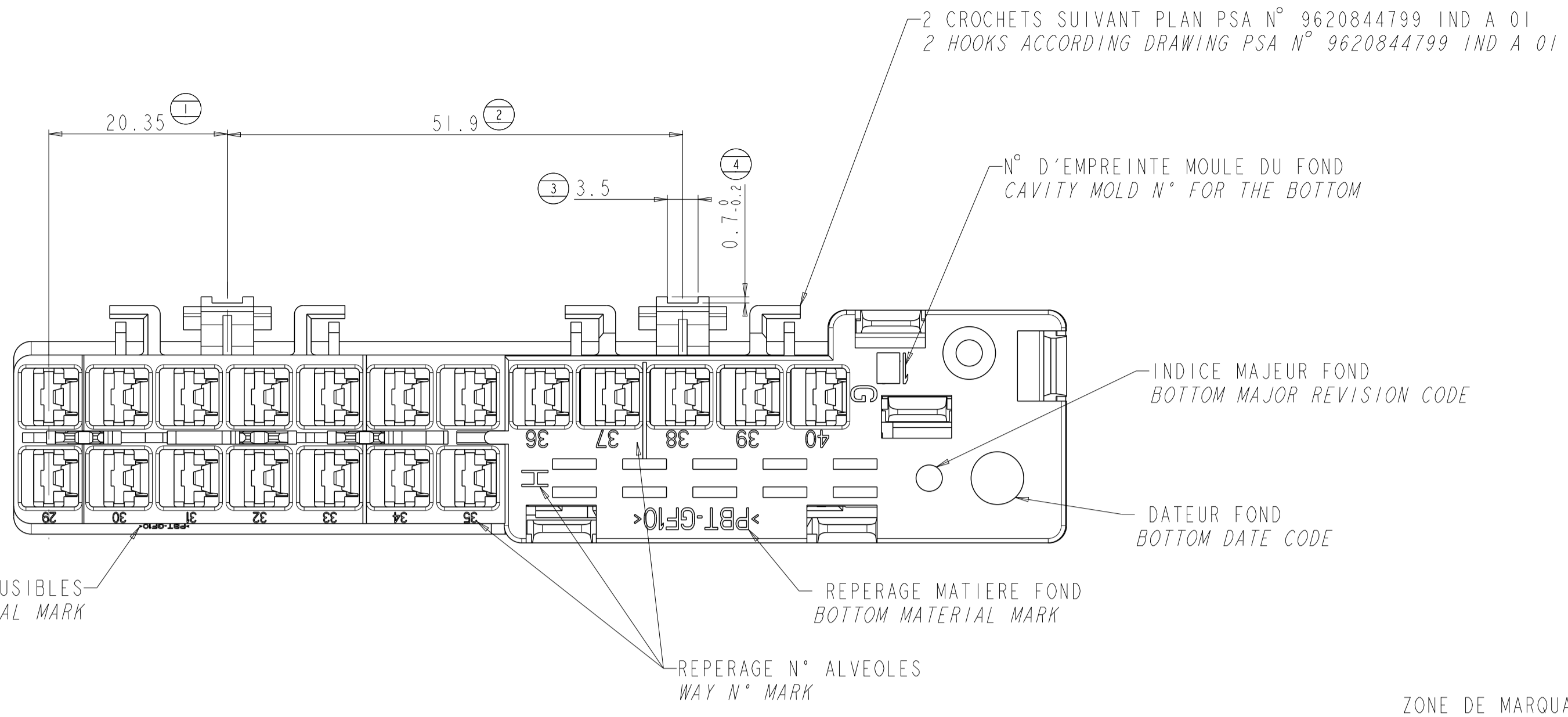


DETAIL D
ECHELLE 5
SCALE 5



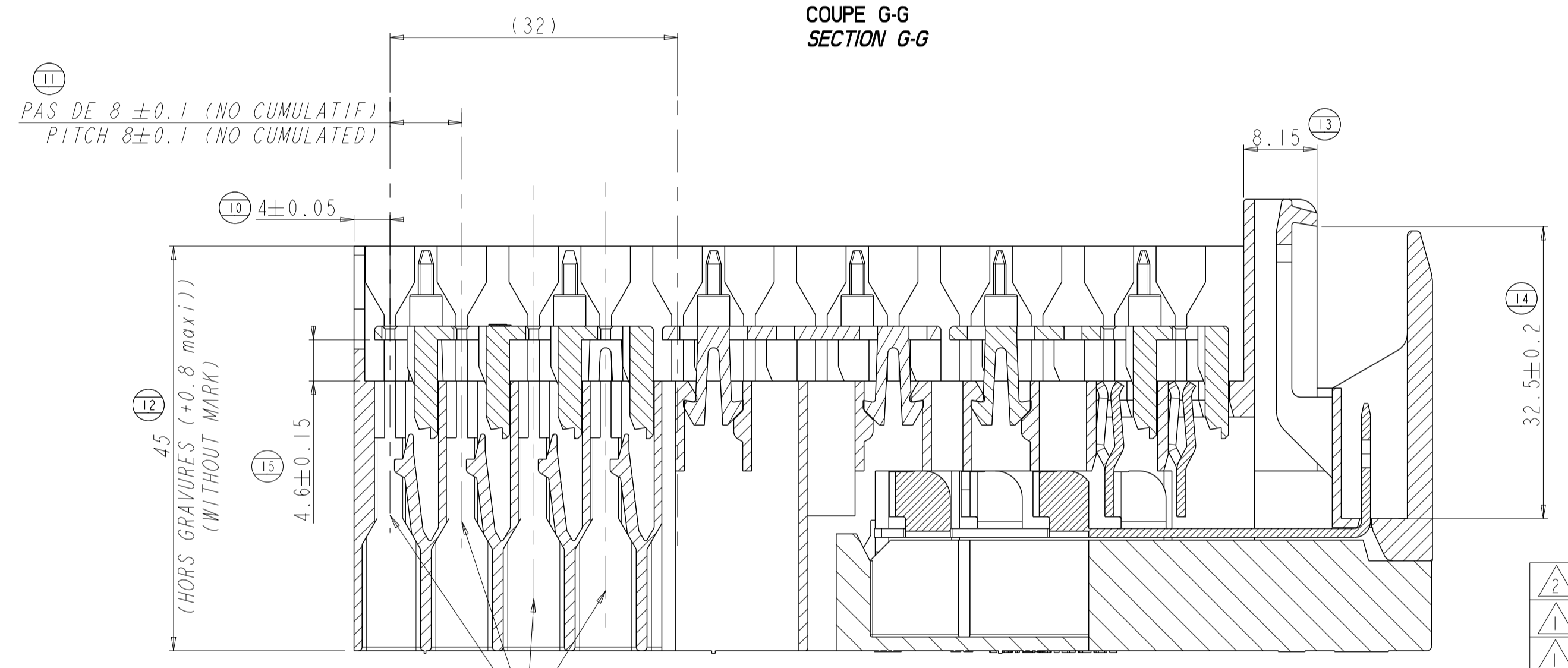
MARQUAGE MATIERE PORTE FUSIBLES
FUSE BOX MATERIAL MARK



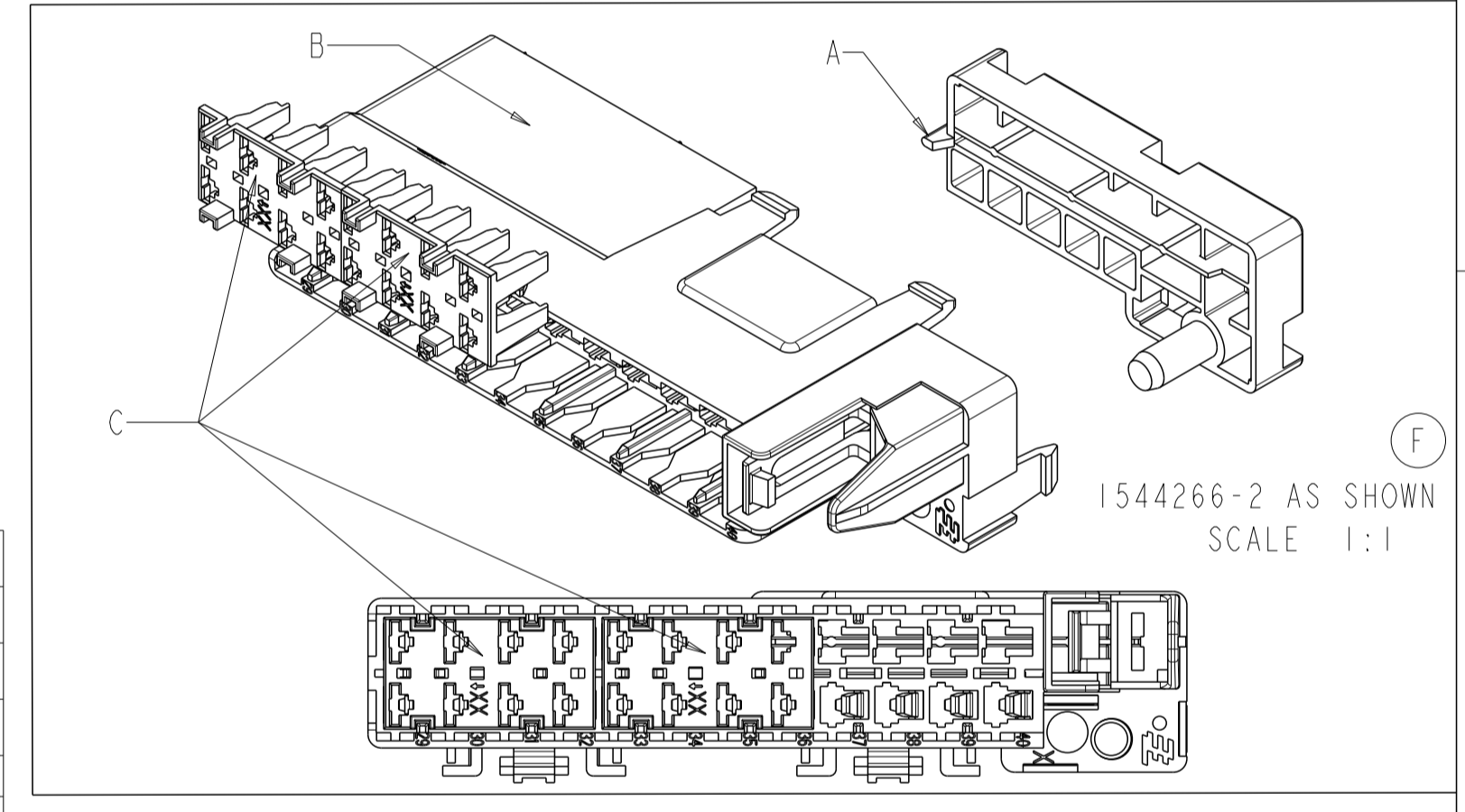
ZONE DE MARQUAGE INDIQUANT :
- DATE D'ASSEMBLAGE (JOUR/MOIS/ANNEE)
- REFERENCE TE - REFERENCE PSA
- INDICE MAJEUR TE

MARKING AREA WITH :
- ASSEMBLY DATE (DAY/MONTH/YEAR)
- PN TE AND PSA
- TE MAJOR CODE

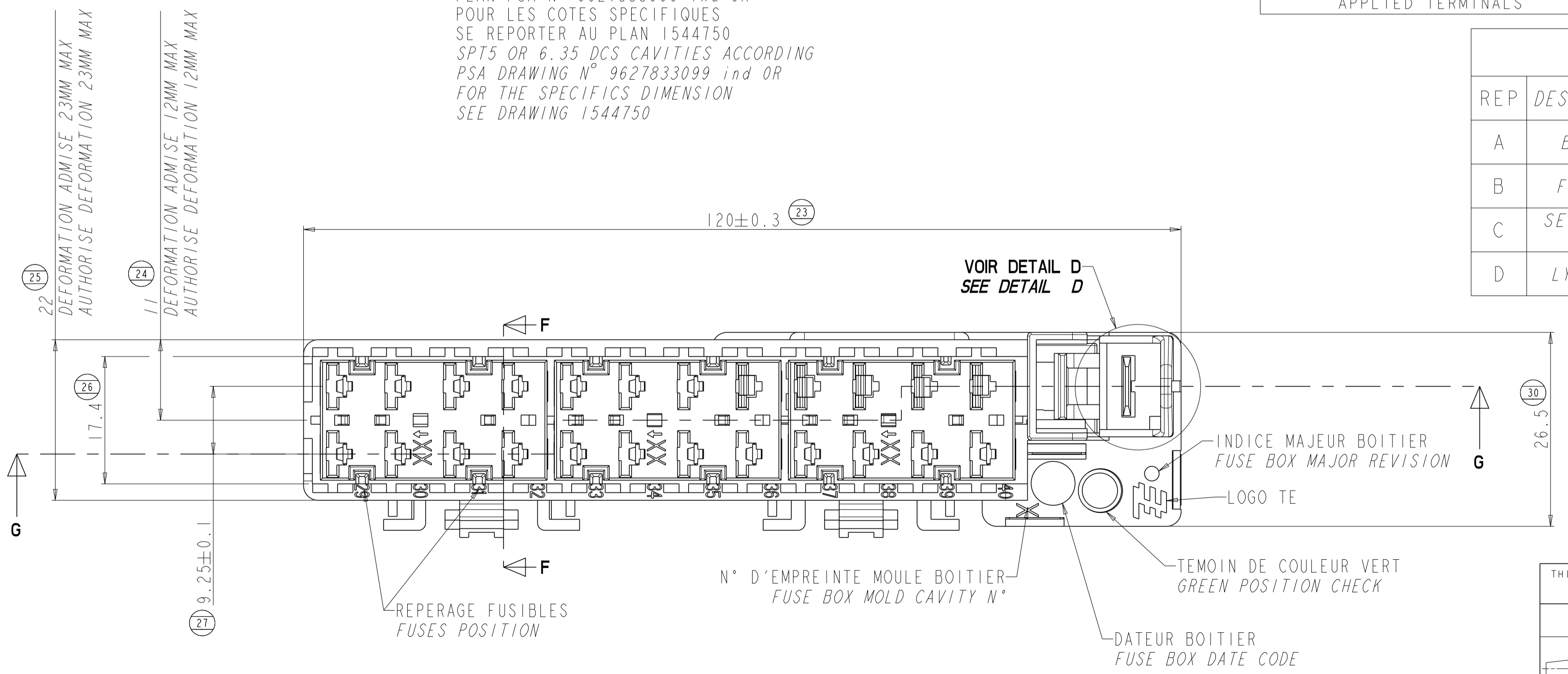
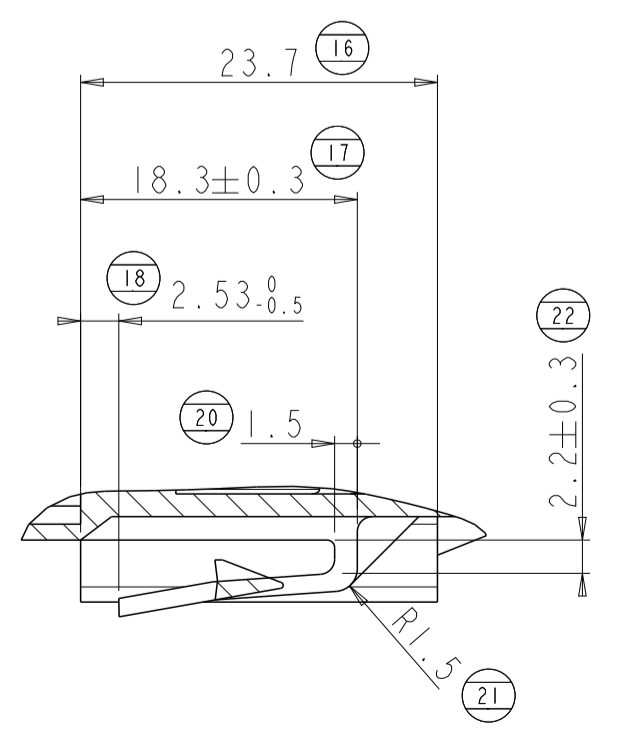
COUPE G-G
SECTION G-G



2	DCS 6,3mm	/
1	SPT5 2,5 - 4 mm ²	963894-1
1	SPT5 1 - 2,5 mm ²	963893-1
1	SPT5 0,5 - 1 mm ²	963892-1
DESCRIPTION		TE PN
APPLIED TERMINALS		



COUPE PARTIELLE F-F
PARTIAL SECTION F-F



COMPOSANTS / COMPONENTS

REP	DESCRIPTION	DESIGNATION	MATIERE MATERIAL	COULEUR COLOR	QTE QTY
A	BOTTOM	FOND	PBT 10% GF	VERT GREEN	1 1
B	FUSE BOX	BOITE FUSIBLE	PBT 10% GF	NOIR BLACK	1 1
C	SECONDARY LOCK	VERROU SECONDAIRE	PA 66 30% GF	JAUNE YELLOW	2 3
D	LYRE N°19	REPARTITEUR N°19	UE4P ou CuFe2P	-	- 1

DOCUMENTS DE REFERENCE / REFERENCE DOCUMENTS :

- PLAN FONCTIONNEL : PSA : 9677075880
- STE PSA : 9627286799 Ind. OR
- NORME DE REFERENCE : B21 7050

1544266-2	1544266-1
TE PN	

THIS DRAWING IS A CONTROLLED DOCUMENT.

DIMENSIONS:	TOLERANCES UNLESS OTHERWISE SPECIFIED:	OWN: P. CHARLES 28NOV2011	CHK: P. FLORES 28NOV2011	TE Connectivity NAME: BOITE HABITACLE 12 FUSIBLES - BFH 12 12 FUSES FUSEBOX - BFH 12 SIZE: CAGE CODE: DRAWING NO: RESTRICTED TO: A 00779 C=1544266 SHEET 1 OF 1 REV F3
mm	0 PLC ±0.2 1 PLC ±0.2 2 PLC ±0.2 3 PLC ±0.2 4 PLC ±0.2 ANGLES ±°	APPV: J. DAHER 28NOV2011	PRODUCT SPEC	
MATERIAL:	FINISH:	APPLICATION SPEC	WEIGHT:	
VOIR TABLE SEE TABLE		CUSTOMER DRAWING	SCALE: 2:1	