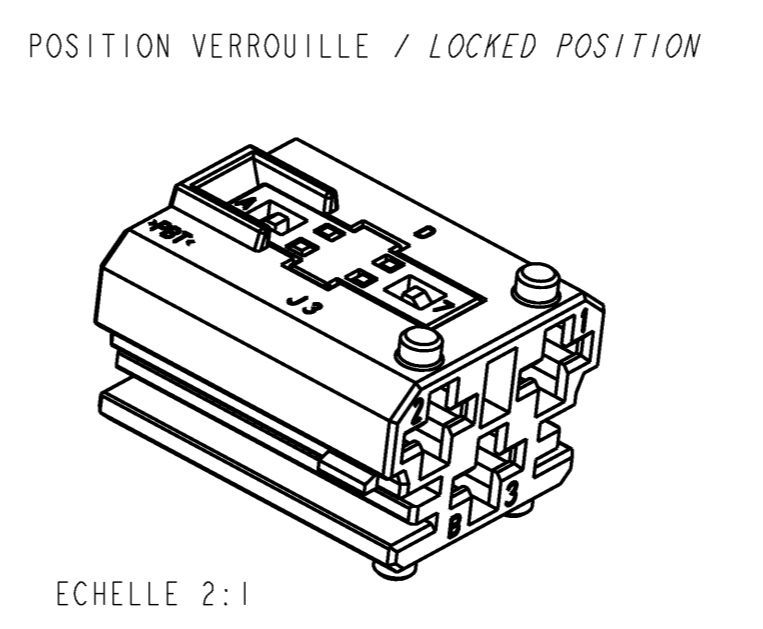
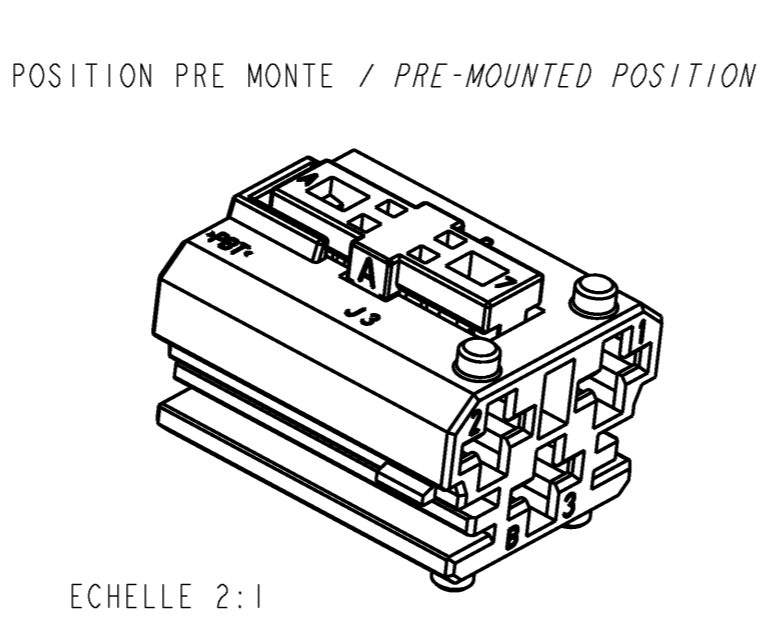
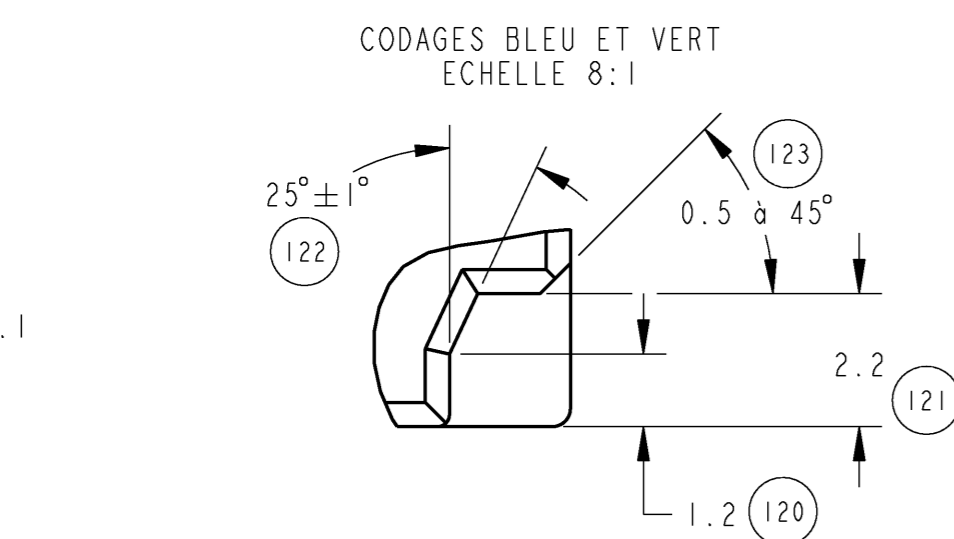
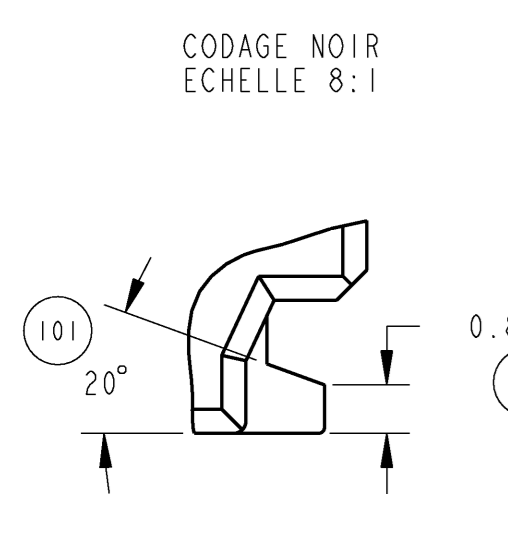
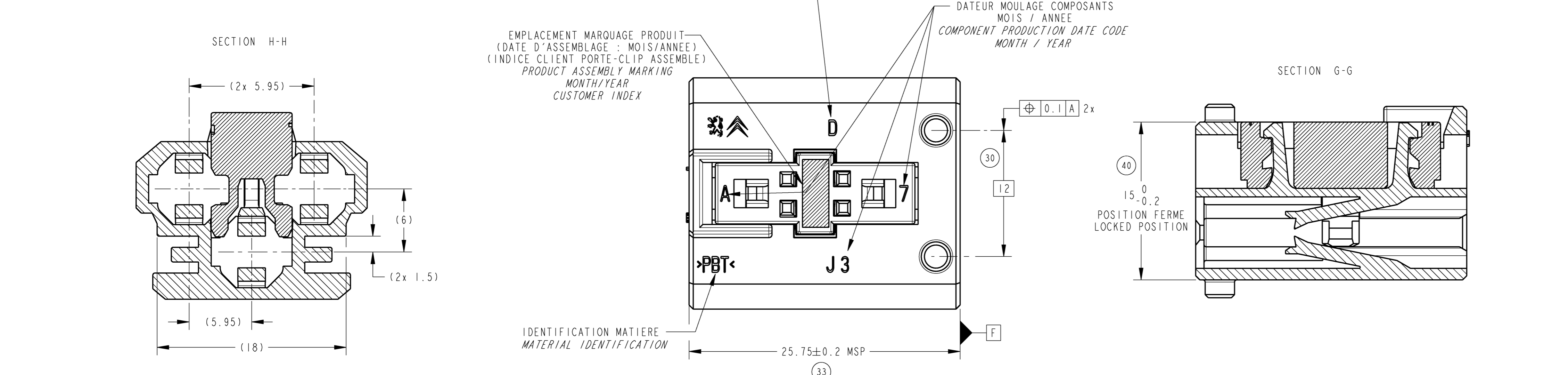
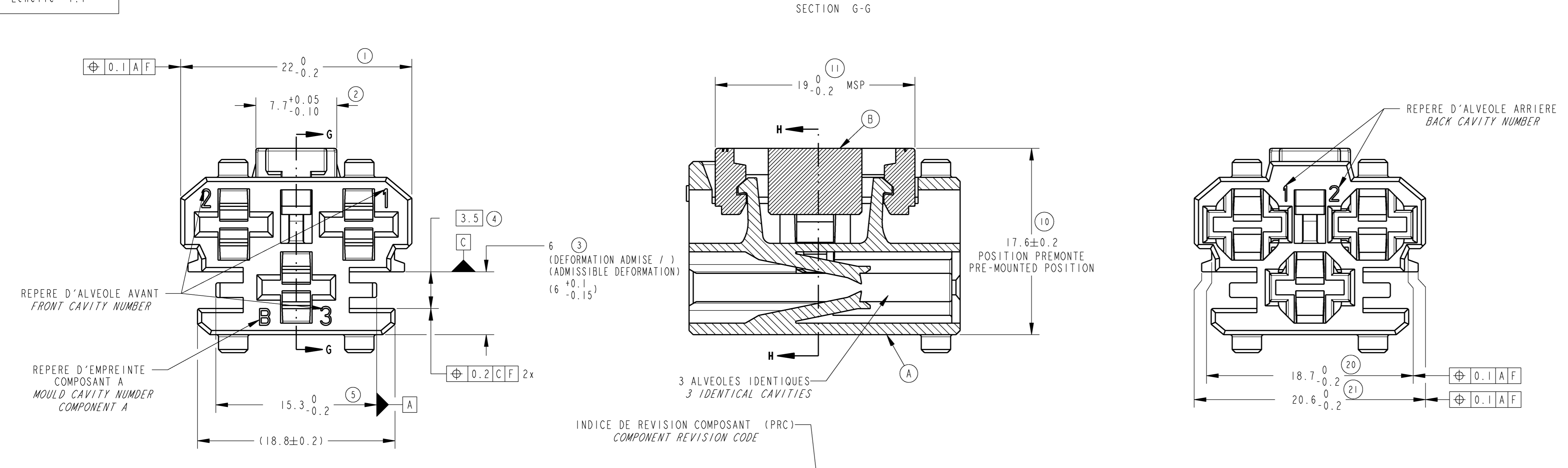


Echelle 1:1

LOC		DIST		REVISIONS			
F	00	P	LTH	DESCRIPTION	DATE	DWN	APPV
		D		MOLD DUPLICATION / MATERIAL CHANGE	26 JAN 2006	LC1	JDr

NOTES :
 (-) : COTE DONNEE POUR INFORMATION
 DIMENSION FOR INFORMATION
 MSP : COTE SUIVIE EN MSP
 MANUFACTURING CONTROL DIMENSION



REP	QTE	DESIGNATION	MATIERE	COULEUR
B	I	VERROU SECONDAIRE	PBT VO 10% FV	JAUNE
A	I	PORTE-CLIP	PBT VO	VOIR TABLEAU
		RECEPTACLE HOUSING		SEE TABLE
		DESCRIPTION	MATIERE	COULEUR

REFERENCES TE ET CODAGE COULEUR ASSOCIE			
TE PART NUMBERS AND COLOR CODING ASSOCIATED			
REF TE / TE PN	1544225-1	1544225-2	1544225-3
COULEUR / COLOUR	NOIR / BLACK	BLEU / BLUE	VERT / GREEN
PRC	D	D	D
CODAGE / CODING			

COMPOSANTS ASSOCIES				
ASSOCIATED COMPONENTS				
COMPOSANTS	REF TE	MATIERE	SECTION DE FIL	COULEUR
COMPONENTS	PN TE	MATERIAL	WIRE SECTION	COLOR
CLIP 6.35mm NG1	1544133-1	CUIVRE MICRO-ALLIE PRE-ETAME	2.5 A (TO) 6mm ²	- - -
6.35mm NG1 RECEPTACLE		PRE TINNED MICRO ALLOYED COPPER		
PORTE-LANGUETTE 3 VOIES 6.35 NG1	1544226-1	PBT 10% FV	- - -	NOIR
3-WAY 6.35 NG1 TAB HOUSING		PBT GF 10%		BLACK
PORTE-LANGUETTE 3 VOIES 6.35 NG1	1544226-2			BLEU
3-WAY 6.35 NG1 TAB HOUSING				BLUE
PORTE-LANGUETTE 3 VOIES 6.35 NG1	1544226-3			VERT
3-WAY 6.35 NG1 TAB HOUSING				GREEN
LANGUETTE 6.35mm NG1	1544218-1	CUIVRE MICRO-ALLIE PRE-ETAME	2.5 A (TO) 6mm ²	- - -
6.35mm NG1 TAB		PRE TINNED MICRO ALLOYED COPPER		

1:1 IS SUBJECT TO CHANGE AND NOT BE USED FOR PRODUCTION UNLESS SPECIFIED OTHERWISE. THIS PLAN IS AN UNCONTROLLED COPY. ALL DIMENSIONS ARE IN MILLIMETERS UNLESS OTHERWISE SPECIFIED. CONTACT THE SERVICE TECHNIQUE DE TYCO ELECTRONICS POUR OBTENIR LE DERNIER REVUE.

OWN / PROSEINE: 26 JAN 2006
 L. CORONELLI
 CLK / VERIFIEE: 26 JAN 2006
 P. FLORES

APPROVE / APPROVE: 26 JAN 2006
 J. DABIEZ

PRODUCT SPEC: P. FLORES
 SPEC. PRODUIT: -

APPLICATION SPEC: -
 SPEC. APPLICATION: -

UNIQUE NO: 411-15687
 WEIGHT: 5.05 gr
 MASSE APPROX.: -

INVENTORY FOUR REFERENCE: 00779
 CAGE CODE: 1544225

RESTRICTED TO RESERVE A: -
 CUSTOMER DRAWING / PLAN CLIENT: -

SCALE: 4.0
 SHEET: 1 OF 1
 REV: D