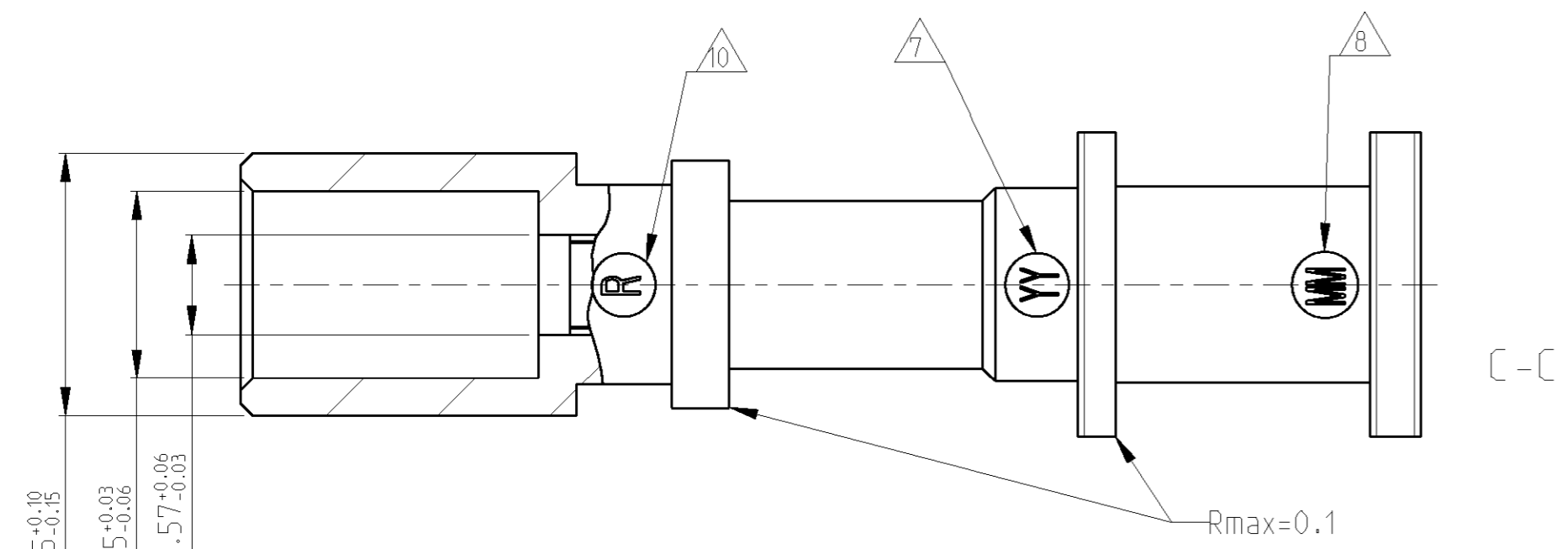


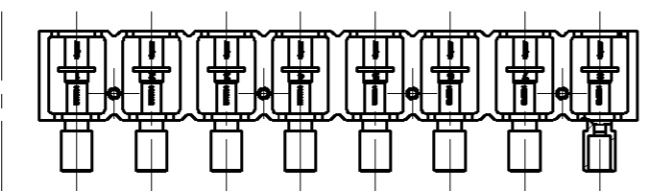
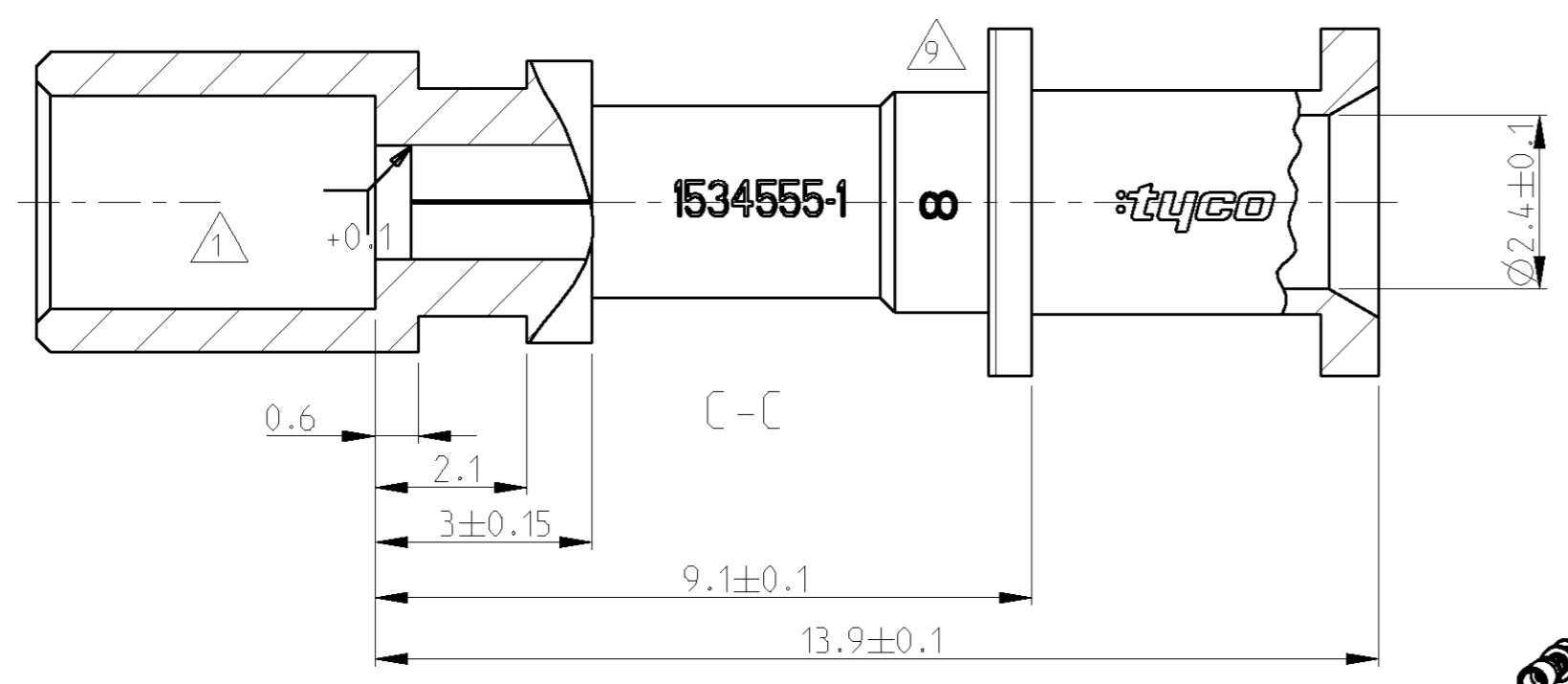
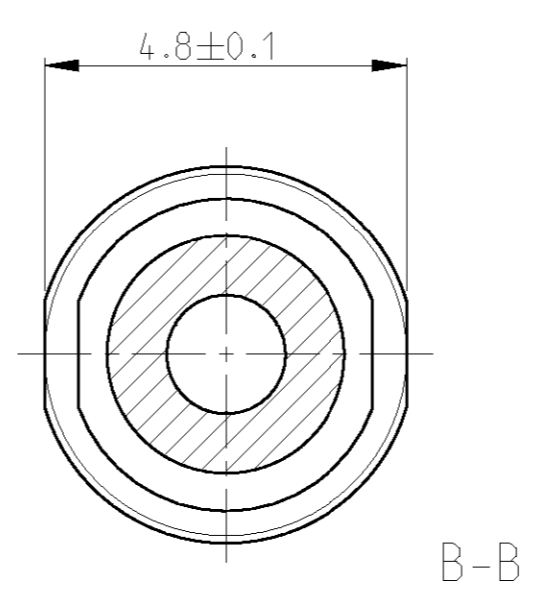
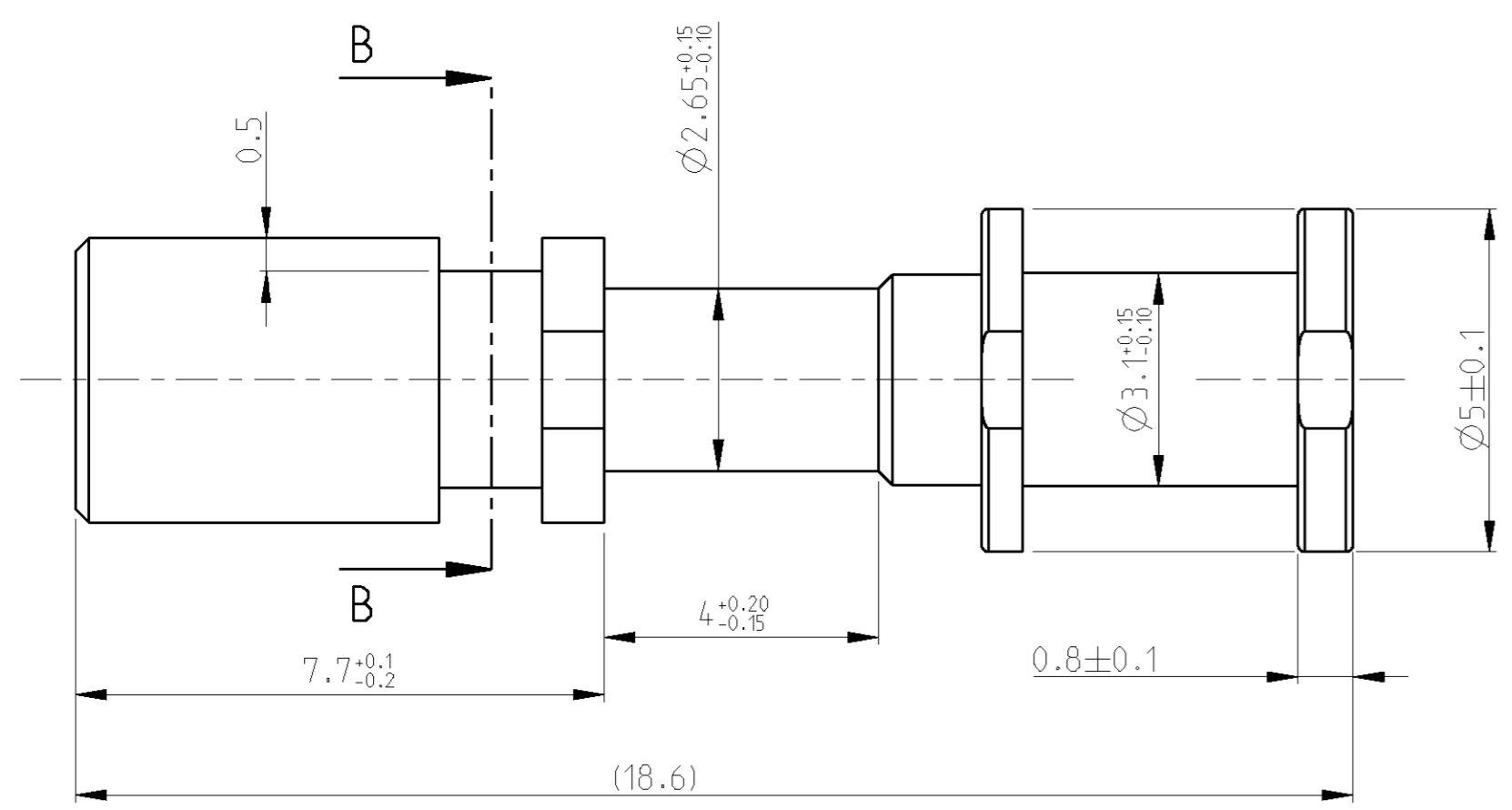
THIS DRAWING IS UNPUBLISHED. RELEASED FOR PUBLICATION 2000  
 © COPYRIGHT 2000 BY TYCO ELECTRONICS CORPORATION. ALL RIGHTS RESERVED.

LOC	DIST	REVISIONS					
A1	-	P	LTR	DESCRIPTION	DATE	DWN	APVD
		B1		EGA0-0605-04	23JUN2004	TK	JH



NOTES  
Bemerkungen

- 1 MAX. THICKNESS OF BURR 0.03 mm  
Max. Dicke der Spritzhaut 0.03 mm
- 2 SUITABLE FOR POF ACCORDING TO TYCO SPEC> 108-18673 WITH  
passend fuer POF nach Tyco-Spec. 108-18673 mit  
- INNER JACKET DIAMETER (Innemantel) 1.510.04  
- OUTER JACKET DIAMETER (Aussenmantel) 2.30.07
- 3 PACKAGING: ON REEL  
Verpackung: am Band
- 4 DETAILS OF DESIGN ARE LEFT TO THE MANUFACTURER  
Einzelheiten der AUsfuehrung bleiben dem Hersteller ueberlassen
- 5 ONLY THE GERMAN LANGUAGE SHALL BE BINDING  
Massgebend ist nur der Deutsche Text
- 6 MATING PART: 0-1354554-1  
Passend zu: 0-1534554-1
- 7 DATE CODE FOR YEAR  
Datumskennzeichnung fuer Jahr
- 8 DATE CODE FOR MONTH  
Datumskennzeichnung fuer Monat
- 9 CAVITY MARK  
Nestkennzeichnung
- 10 REVISION MARK  
Revisionskennzeichnung



V = 109 mm<sup>3</sup> (0.13 g)  
(PER LOOSE PIECE)  
(pro Kontakt)



0-1534555-1	B	-	-
TYCO PART NO.	REV.	TYCO PART NO.	REV.
STRIP FORM		LOOSE PIECE	

THIS DRAWING IS A CONTROLLED DOCUMENT FOR TYCO ELECTRONICS CORPORATION IT IS SUBJECT TO CHANGE AND THE CONTROLLING ENGINEERING ORGANIZATION SHOULD BE CONTACTED FOR THE LATEST REVISION.		DWN T. Krahn 17JAN2002	tyco Electronics AMP GmbH D - 64625 Bensheim	
DIMENSIONS: mm		CHK J. Hahn 17JAN2002	NAME fiber optic contact, female Buchsenkontakt	
TOLERANCES UNLESS OTHERWISE SPECIFIED:		APVD -	SIZE A2	
0 PLC ±	DIN	PRODUCT SPEC 108-18698	CAGE CODE 00779	DRAWING NO. 1534555
1 PLC ±	16901-140	APPLICATION SPEC 114-18322	RESTRICTED TO	
2 PLC ±		WEIGHT 0.13 g	SCALE 10:1	SHEET 1 OF 1
3 PLC ±		CUSTOMER DRAWING	REV B1	
4 PLC ±	±°			
ANGLES				
FINISH				