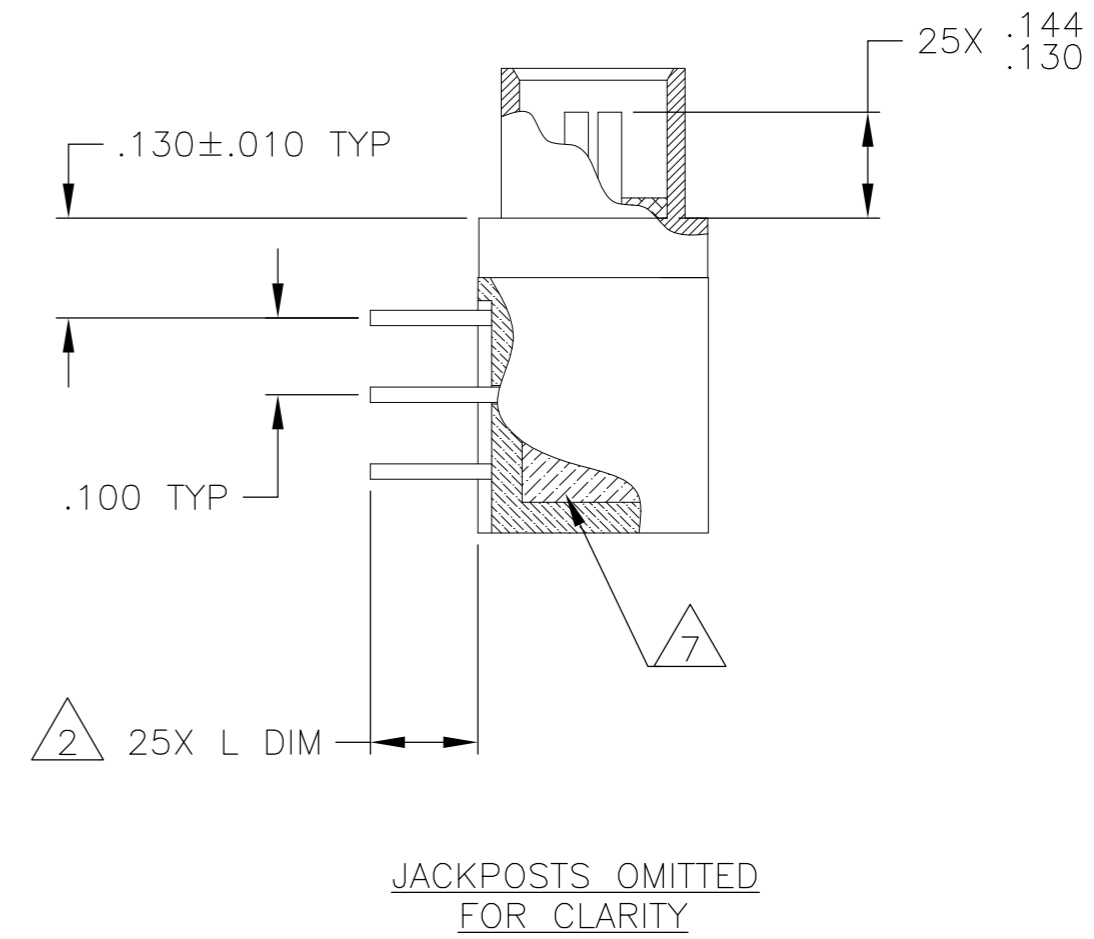
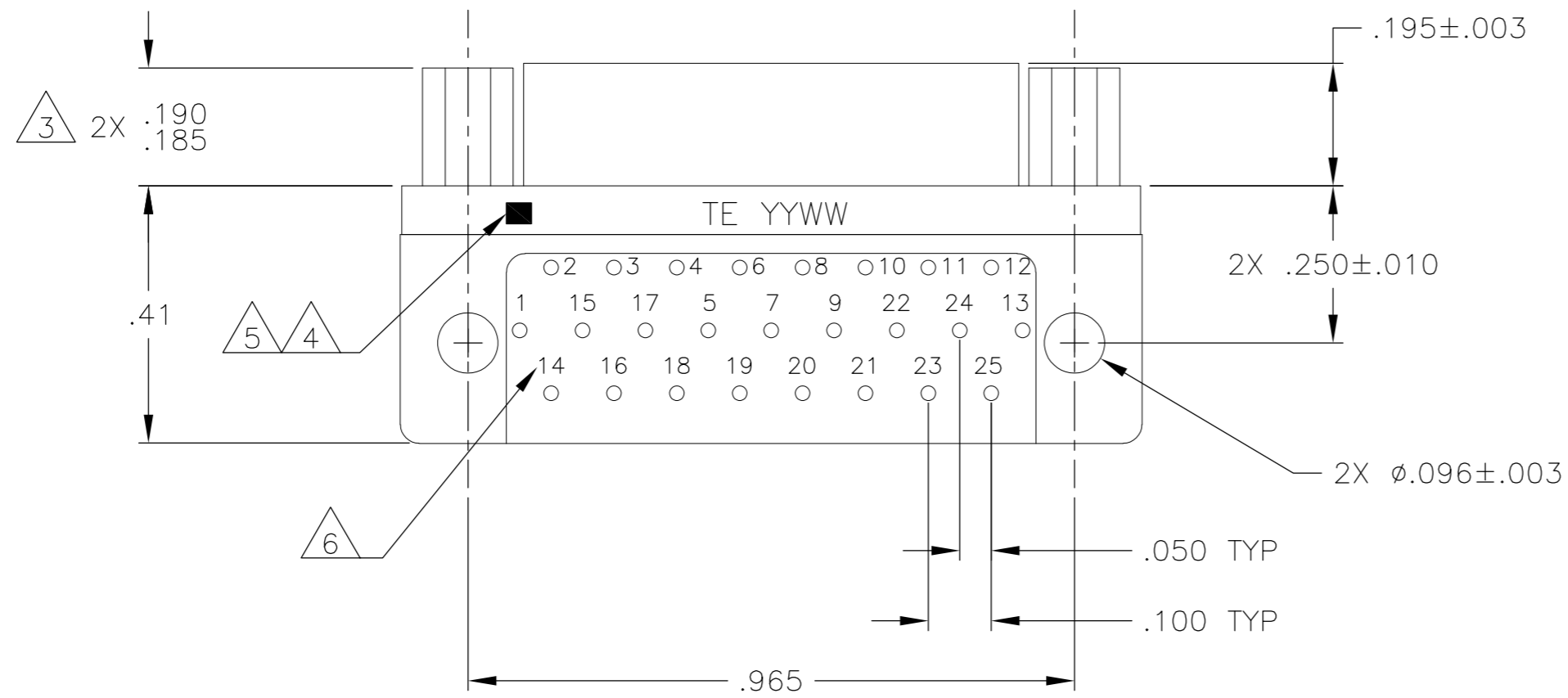
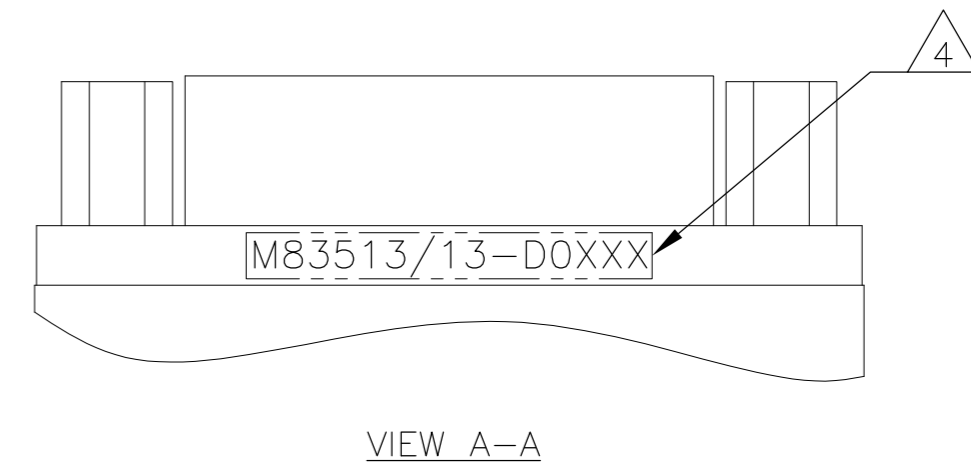
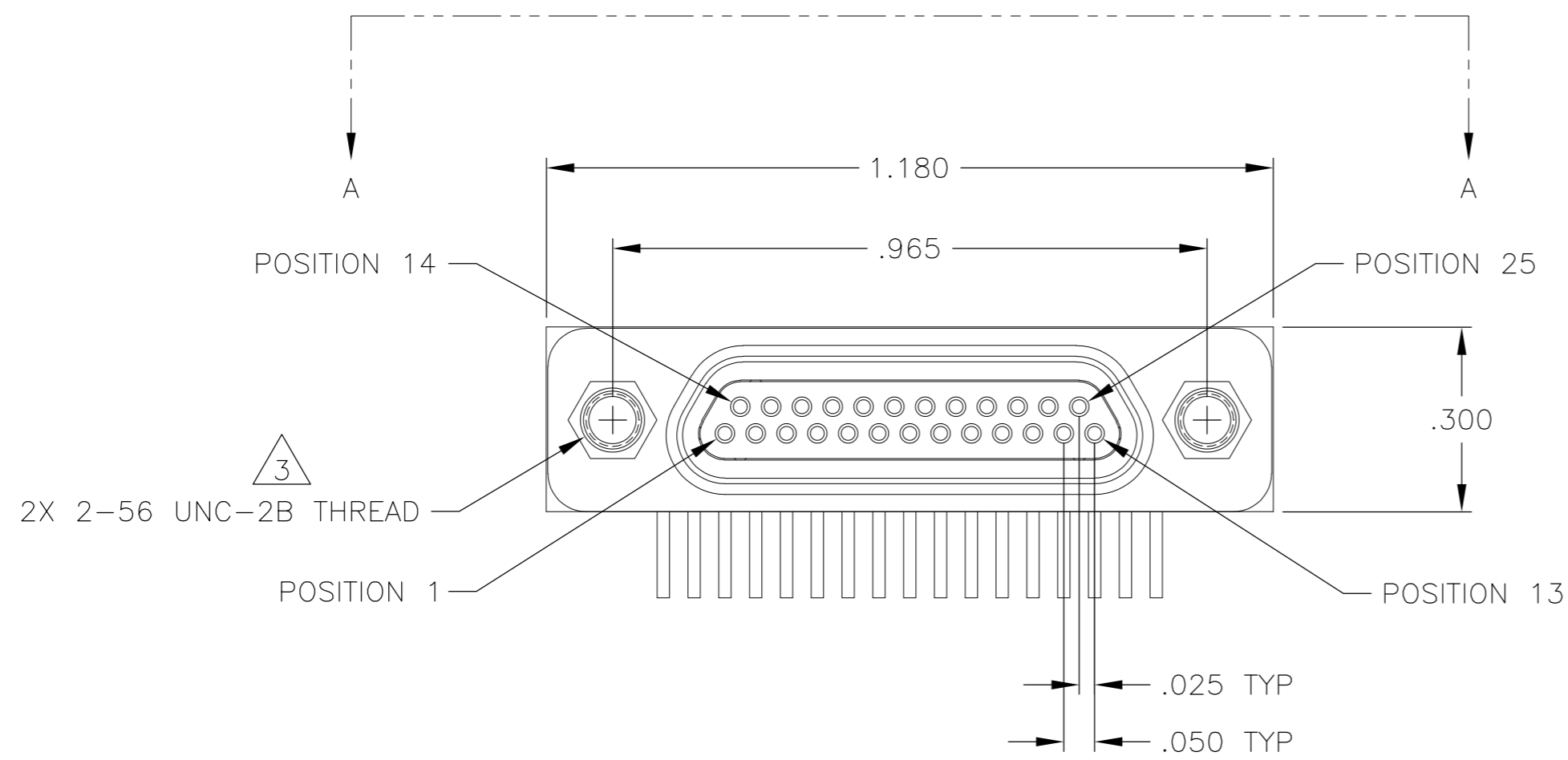


THIS DRAWING IS UNPUBLISHED. RELEASED FOR PUBLICATION
 © COPYRIGHT - By - ALL RIGHTS RESERVED.

LOC		DIST		REVISIONS			
P	LTR	DESCRIPTION		DATE	DWN	APVD	
	A	INITIAL RELEASE		2 JUL 12	CAS	MKS	



SEE SHEET 2 FOR NOTES

THIS DRAWING IS A CONTROLLED DOCUMENT.		DWN C SCHOLL	2 JUL 12	STE TE Connectivity	
DIMENSIONS: INCHES		CHK -	-		
TOLERANCES UNLESS OTHERWISE SPECIFIED:		APVD M STORRY	2 JUL 12	NAME	
0 PLC ± -		PRODUCT SPEC		RECEPTACLE ASSEMBLY, MCKS, RT1 RIGHT	
1 PLC ± -		APPLICATION SPEC		ANGLE, PCB MOUNT, 2 ROW,	
2 PLC ± .010		-		SIZE 25, PER MIL-DTL-83513/13	
3 PLC ± .005		-		SIZE	CAGE CODE
4 PLC ± -		-		A2	98278
ANGLES ± 1°		-		DRAWING NO	RESTRICTED TO
FINISH		WEIGHT		C=1532261	-
SEE NOTES		CUSTOMER DRAWING		SCALE 4:1	SHEET 1 OF 2
SEE NOTES		REV		A	

THIS DRAWING IS UNPUBLISHED. RELEASED FOR PUBLICATION
 © COPYRIGHT - By - ALL RIGHTS RESERVED.

LOC		DIST		REVISIONS			
P	LTR	DESCRIPTION	DATE	DWN	APVD		
-	-	SEE SHEET 1	-	-	-		

TE PART NUMBER	MIL-DTL-83513 PIN	MCKS DESCRIPTION	SHELL FINISH $\triangle 1$	HARDWARE $\triangle 3$	L DIM $\pm .015$
1532261-1	M83513/13-D01CN	MCKS-C2-B-25SRT1	CADMIUM	NONE	.109
1532261-2	M83513/13-D01CP	MCKS-C2-P-25SRT1	CADMIUM	JACKPOSTS	.109
1532261-3	M83513/13-D01NN	MCKS-N1-B-25SRT1	NICKEL	NONE	.109
1532261-4	M83513/13-D01NP	MCKS-N1-P-25SRT1	NICKEL	JACKPOSTS	.109
1532261-5	M83513/13-D02CN	MCKS-C2-B-25SRT1A	CADMIUM	NONE	.140
1532261-6	M83513/13-D02CP	MCKS-C2-P-25SRT1A	CADMIUM	JACKPOSTS	.140
1532261-7	M83513/13-D02NN	MCKS-N1-B-25SRT1A	NICKEL	NONE	.140
1532261-8	M83513/13-D02NP	MCKS-N1-P-25SRT1A	NICKEL	JACKPOSTS	.140
1532261-9	M83513/13-D03CN	MCKS-C2-B-25SRT1B	CADMIUM	NONE	.172
1-1532261-0	M83513/13-D03CP	MCKS-C2-P-25SRT1B	CADMIUM	JACKPOSTS	.172
1-1532261-1	M83513/13-D03NN	MCKS-N1-B-25SRT1B	NICKEL	NONE	.172
1-1532261-2	M83513/13-D03NP	MCKS-N1-P-25SRT1B	NICKEL	JACKPOSTS	.172

$\triangle 1$ SHELL MATERIAL: 6061-T6 ALUMINUM
 FINISH OPTIONS:
 ELECTROLESS NICKEL PLATED PER SAE-AMS-C-26074 OR SAE AMS 2404 OR CADMIUM PLATED PER SAE-AMS-QQ-P-416 WITH YELLOW CHROMATE
 INSULATOR: LIQUID CRYSTAL POLYMER (LCP)
 INTERFACIAL SEAL: FLUOROSILICONE PER SAE-AMS-R-25988
 HARDWARE: 300 SERIES STAINLESS STEEL
 TB BOX: POLYPHENYLENE SULFIDE (PPS) AND EPOXY POTTING

$\triangle 2$ TERMINATION: 24AWG GOLD PLATED COPPER WIRE, Sn63Pb37 SOLDER DIPPED UP TO MOUNTING SURFACE AT A MINIMUM

$\triangle 3$ JACKPOST HARDWARE SHALL BE PERMANENTLY INSTALLED AS SHOWN WHEN REQUIRED BY THE MIL PIN. JACKPOST DIMENSIONS AND REQUIREMENTS ARE DEFINED IN MIL-DTL-83513/5.


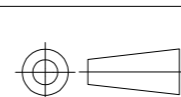
$\triangle 4$ CONNECTOR SHALL BE MARKED IN ACCORDANCE WITH METHOD I OF MIL-STD-1285. MARKING SHALL CONTAIN THE MILITARY PIN, CAGE CODE (OR TE), AND DATE CODE. EXAMPLE: M83513/13-DOXXX TE YYWW (WHERE XXX IS PART OF THE PIN SHOWN IN THE "MIL-DTL-83513 PIN" COLUMN OF THE PART NUMBER TABLE, AND YYWW IS THE DATE CODE). FOR THE SIZE 25 RECEPTACLE, THE MARKING MUST BE PRINTED ON BOTH SIDES OF THE FLANGE. TEXT HEIGHT SHALL BE .035 INCH MINIMUM.

$\triangle 5$ POSITION 1 SHALL BE INDICATED BY AN IDENTIFIABLE MARK, LOCATED APPROXIMATELY AS SHOWN ON THE POSITION 1 SIDE OF THE CONNECTOR FLANGE. THIS MARK SHALL BE INCLUDED AS PART OF THE PART MARKING INFORMATION.

$\triangle 6$ TERMINAL IDENTIFICATION NUMBERS AS SHOWN DO NOT ACTUALLY APPEAR ON THE PART (FOR IDENTIFICATION ONLY)

$\triangle 7$ EPOXY ENCAPSULATION

8 ALL REQUIREMENTS CONFORM TO MIL-DTL-83513/13. SEE MIL-SPEC FOR DETAILED INTERFACE DIMENSIONS AND SUGGESTED PCB LAYOUTS

THIS DRAWING IS A CONTROLLED DOCUMENT.		DWN C SCHOLL 2 JUL 12	 TE Connectivity	
DIMENSIONS: INCHES		CHK - APVD M STORRY 2 JUL 12		
		TOLERANCES UNLESS OTHERWISE SPECIFIED:		NAME RECEPTACLE ASSEMBLY, MCKS, RT1 RIGHT ANGLE, PCB MOUNT, 2 ROW, SIZE 25, PER MIL-DTL-83513/13
MATERIAL SEE NOTES		FINISH SEE NOTES		RESTRICTED TO -
WEIGHT -		SCALE A2 98278 C=1532261		SIZE A2
CUSTOMER DRAWING		SCALE 4:1		SHEET 2 of 2
		REV A		