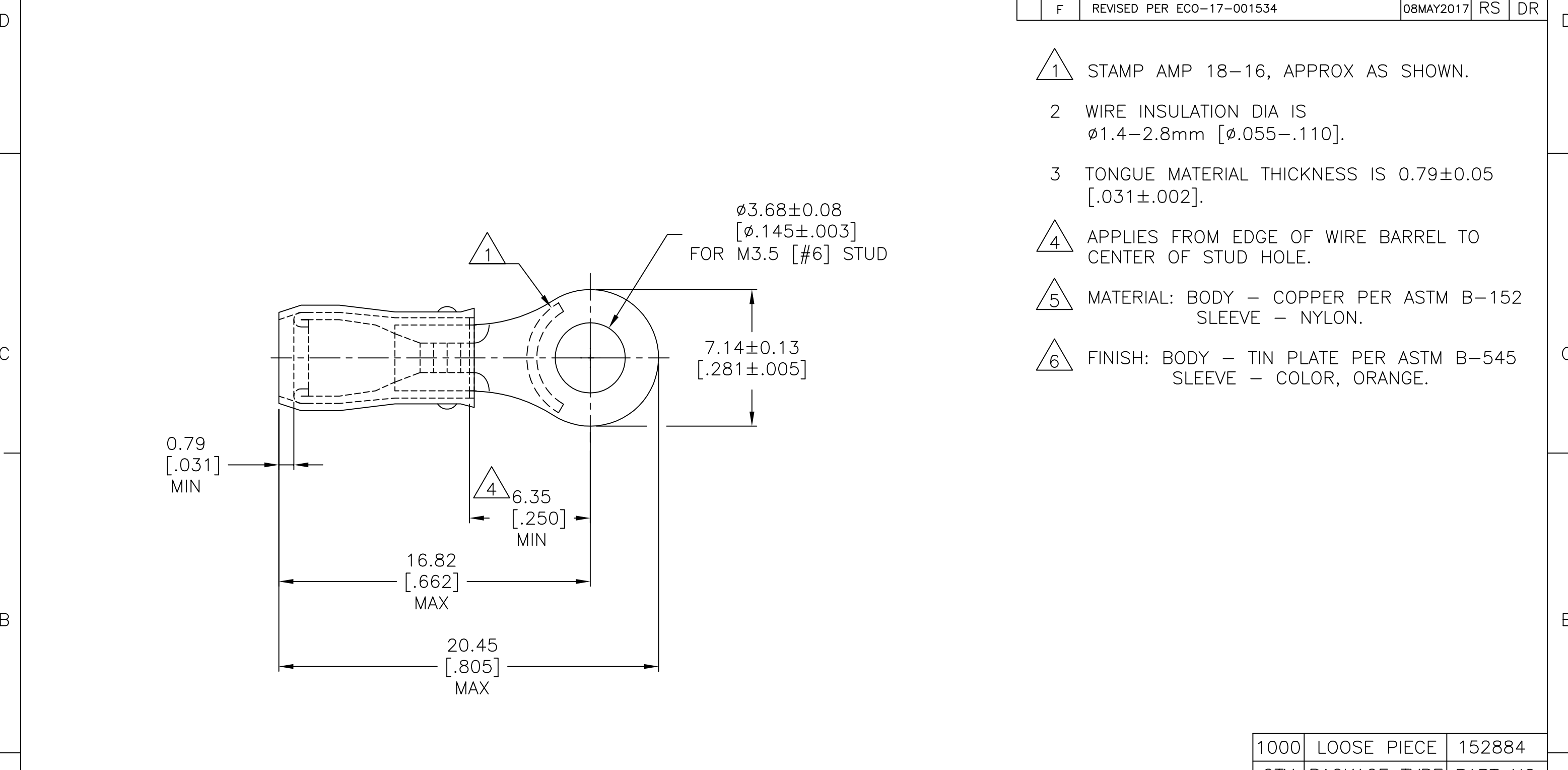


REVISIONS					
P	LTR	DESCRIPTION	DATE	DWN	APVD
	E1	REV PER ECR 07-014387	19JUN07	JR	TM
	F	REVISED PER ECO-17-001534	08MAY2017	RS	DR



1000	LOOSE PIECE	152884
QTY	PACKAGE TYPE	PART NO.

AMP INCORPORATED CUSTOMER SERVICE SYSTEMS		MAX RECOMMENDED OPERATING TEMPERATURE: 105°C [221°F]	THIS DRAWING IS A CONTROLLED DOCUMENT.		DWN JR RUTH 19JUN2007	TE Connectivity NAME TERMINAL, RING TONGUE, PIDG, WIRE SIZE: 18-16 AWG			
FOR ADDITIONAL PRODUCT INFORMATION OR COPIES OF DRAWINGS AND TECHNICAL DOCUMENTS	PRODUCT INFORMATION CENTER 1-800-522-6752	VOLTAGE RATING: 300 V MAX	DIMENSIONS: mm [INCHES]	TOLERANCES UNLESS OTHERWISE SPECIFIED:	CHK T MICHELUTTI 19JUN07				
FOR APPLICATION TOOLING INFORMATION	TOOLING ASSISTANCE CENTER 1-800-722-1111	CIRCULAR MIL AREA: 0.81-1.65mm² [1600-3260] SOLID OR STRANDED		0 PLC ± - 1 PLC ± - 2 PLC ± 0.20 [.008] 3 PLC ± - 4 PLC ± - ANGLES ± -	APVD T MICHELUTTI 19JUN07	CAGE CODE			
FOR ORDER ENTRY	1-800-526-5142	THIS DRAWING IS A CONTROLLED DOCUMENT FOR AMP INCORPORATED. IT IS SUBJECT TO CHANGE AND THE CONTROLLING ENGINEERING ORGANIZATION SHOULD BE CONTACTED FOR THE LATEST REVISION.	MATERIAL	FINISH	PRODUCT SPEC		DRAWING NO		RESTRICTED TO
					APPLICATION SPEC		A3 00779 C=152884		
					WEIGHT		SCALE		REV
					-		5:1		F
					CUSTOMER DRAWING		SHEET		
							1 OF 1		