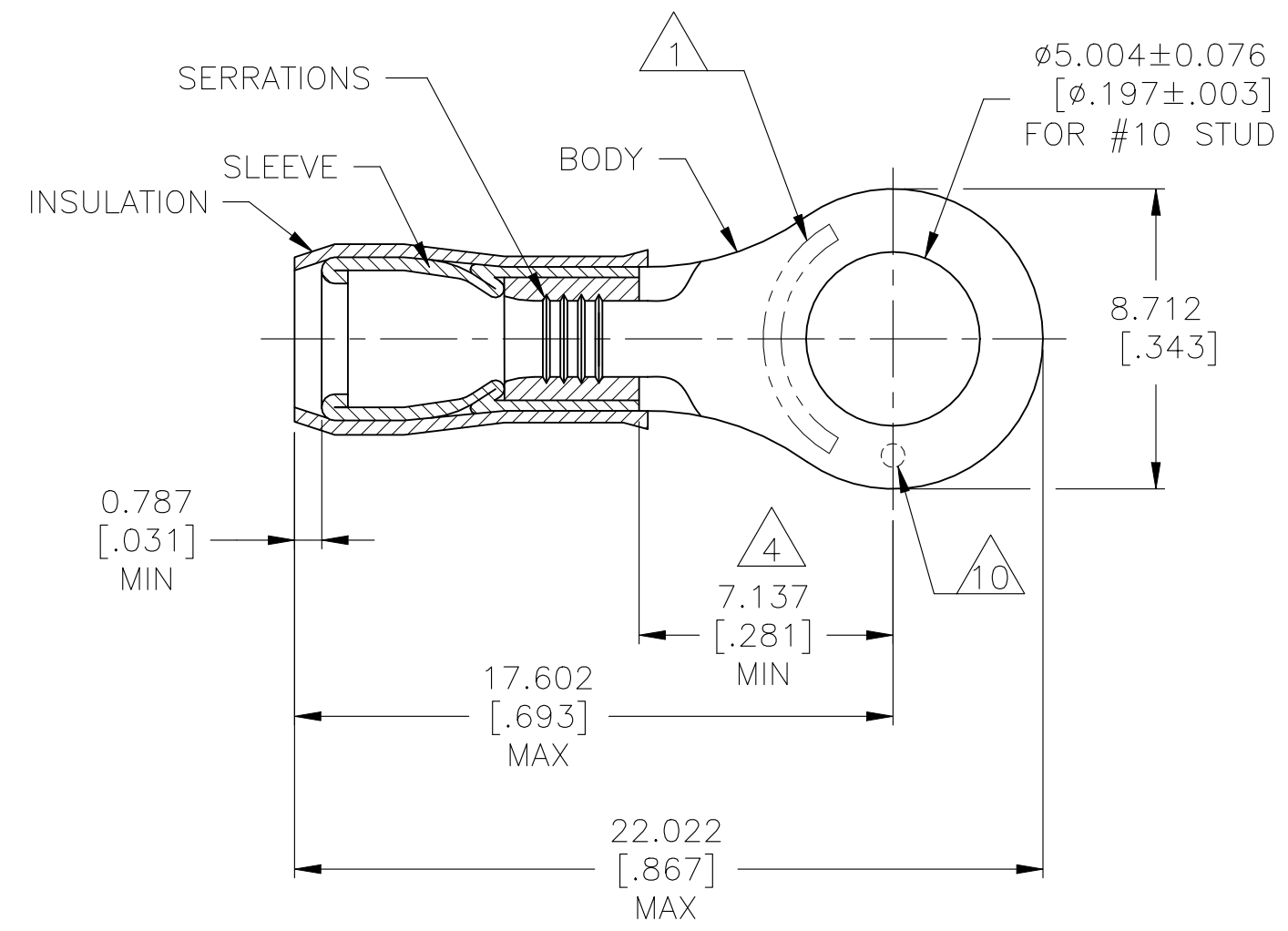


© - TE Connectivity. All Rights Reserved.

REVISIONS				
P	LTR	DESCRIPTION	DATE	APVD
	J	REVISED PER ECR-23-181664	03AUG2023	AP DSC

AMP
WIRE RANGE

14-12 AWG
SOLID OR STRANDED



- 1 STAMP AMP 14-12, APPROX AS SHOWN.
- 2 WIRE INSULATION DIAMETER:
ø2.032-ø3.175[ø.080-ø.125]
- 3 BODY MATERIAL THK : 0.787±0.051[.031±.002]
- 4 APPLIES FROM EDGE OF METAL WIRE BARREL TO CENTER OF STUD HOLE
- 5 MATERIAL: BODY & SLEEVE - COPPER PER ASTM B152
INSULATION: NYLON
- 6 FINISH: BODY & SLEEVE - TIN PLATE 0.00254[.000100]
MIN EXT THK PER ASTM B545
INSULATION: COLOR - WHITE
- 7 NOTE DELETED
- 8 NOTE DELETED
- 9 NOTE DELETED
- 10 DIMPLE STAMP MARK OPTIONAL

1000	LOOSE PIECE	152872
QTY	PACKAGING TYPE	PART NO

AMP INCORPORATED CUSTOMER SERVICE SYSTEMS		MAX RECOMMENDED OPERATING TEMPERATURE: 105°C [221°F]	THIS DRAWING IS A CONTROLLED DOCUMENT.		DWN jr_ruth 23AUG07 CHK T MICHELUTTI 23AUG07 APVD T MICHELUTTI 23AUG07	STE TE Connectivity				
FOR ADDITIONAL PRODUCT INFORMATION OR COPIES OF DRAWINGS AND TECHNICAL DOCUMENTS	PRODUCT INFORMATION CENTER 1-800-522-6752	VOLTAGE RATING: 300 V MAX	DIMENSIONS: mm [INCHES]	TOLERANCES UNLESS OTHERWISE SPECIFIED: 0 PLC ± - 1 PLC ± - 2 PLC ± - 3 PLC ± 0.127[.005] 4 PLC ± - ANGLES ± -	PRODUCT SPEC -	NAME TERMINAL, RING TONGUE, PIDG, WIRE SIZE: 14-12 AWG				
FOR APPLICATION TOOLING INFORMATION	TOOLING ASSISTANCE CENTER 1-800-722-1111	WIRE CROSS SECTIONAL AREA RANGE: 1.65-3.45mm²[3260-6800] CMA SOLID OR STRANDED		FINISH	APPLICATION SPEC 114-2157	SIZE A3	CAGE CODE 00779	DRAWING NO C-152872	RESTRICTED TO -	
FOR ORDER ENTRY	1-800-526-5142	THIS DRAWING IS A CONTROLLED DOCUMENT FOR AMP INCORPORATED. IT IS SUBJECT TO CHANGE AND THE CONTROLLING ENGINEERING ORGANIZATION SHOULD BE CONTACTED FOR THE LATEST REVISION			WEIGHT -	SCALE 5:1		SHEET 1 OF 1	REV J	